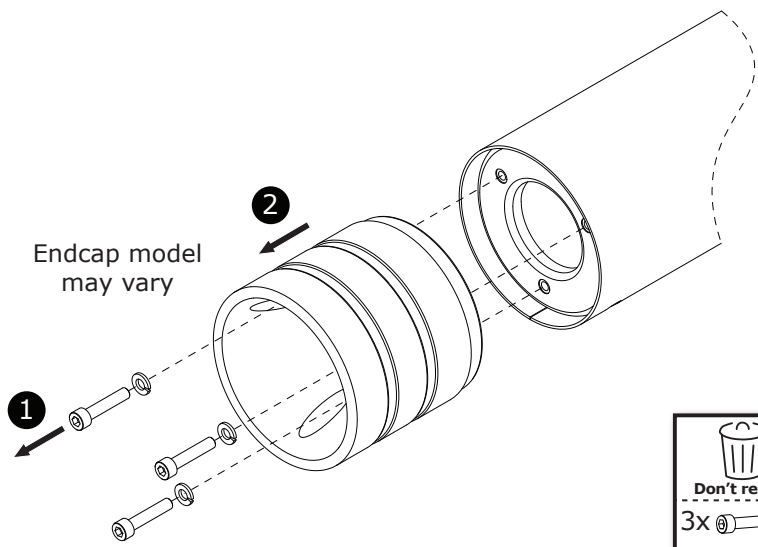


Fishtail Endcap Mounting Manual

1

Endcap model may vary



Don't reuse!

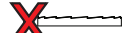
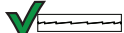
3x 

2


Notches **must** line-up vertically

Position of holes may vary


Don't use!


 

J&H M6

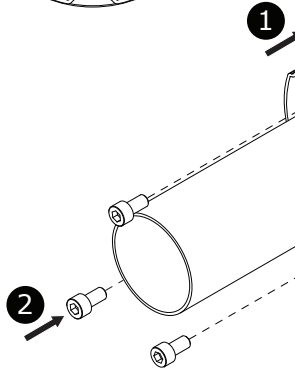
3x 

10 Nm
7 lbf ft

 300 km / 186 mi

3x 

3




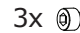


OEM UNC

3x 

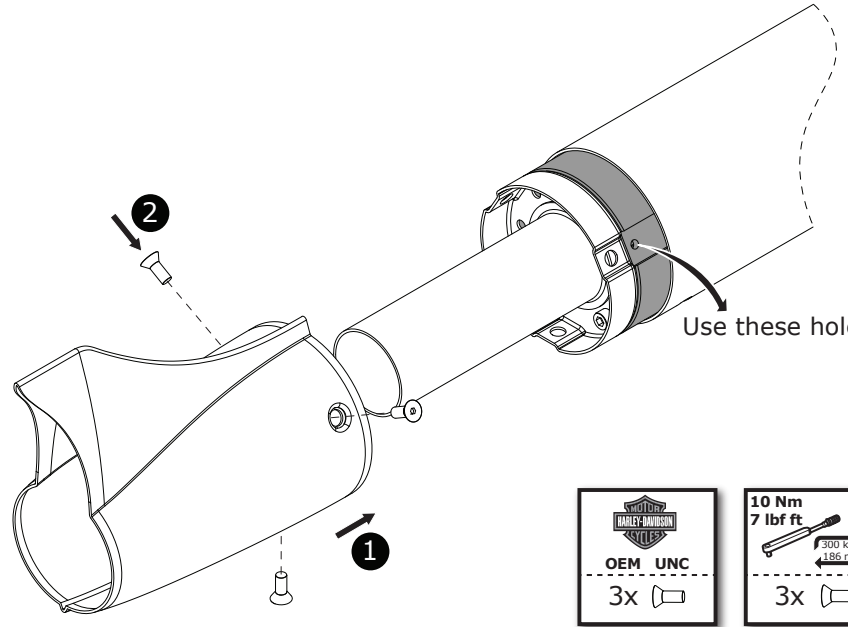
10 Nm
7 lbf ft

 300 km / 186 mi

3x 

4

Use these holes






OEM UNC

3x 

10 Nm
7 lbf ft

 300 km / 186 mi

3x 