



SN.

Dr. Jekyll & Mr. Hyde®

THE EXHAUST

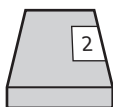
MANUAL : HARLEY-DAVIDSON® | EASYMOUNT | BLACKBOX



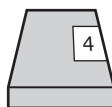
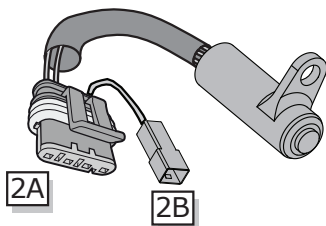
Dyna Street Bob / Universal

1

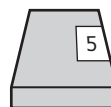
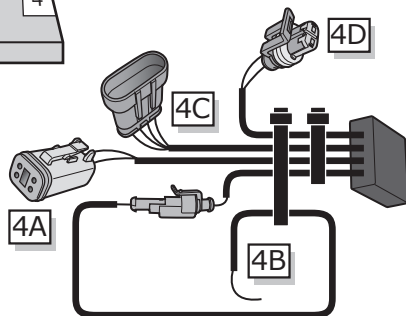
Dyna Street Bob / Universal Easymount Blackbox



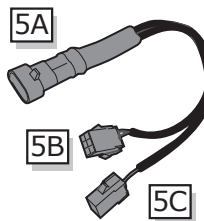
Mode Switch
for Blackbox



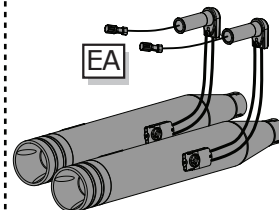
Blackbox



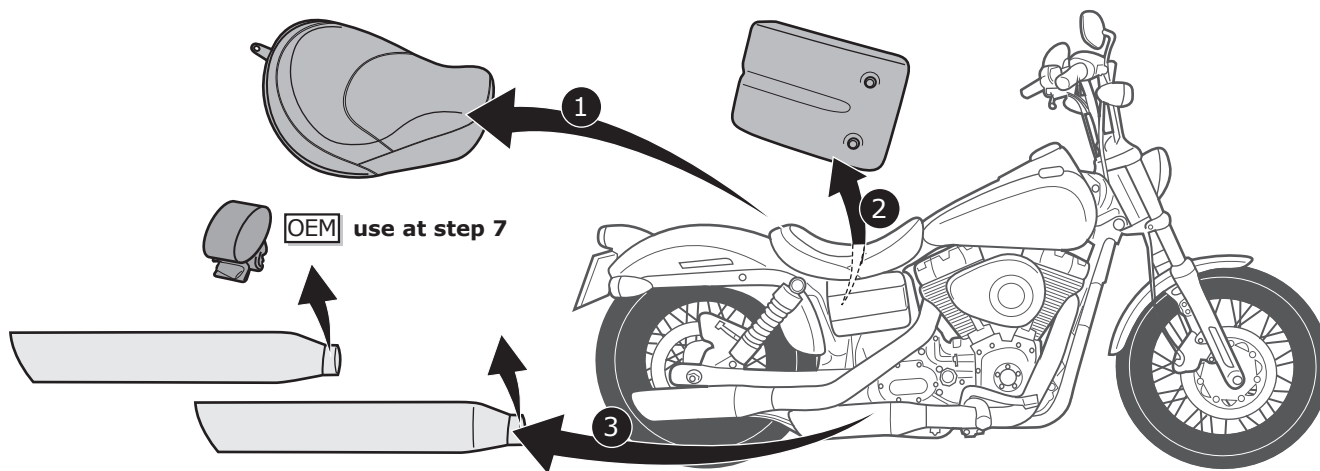
Y Cable



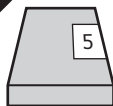
Exhaust/cable/
servo system



2



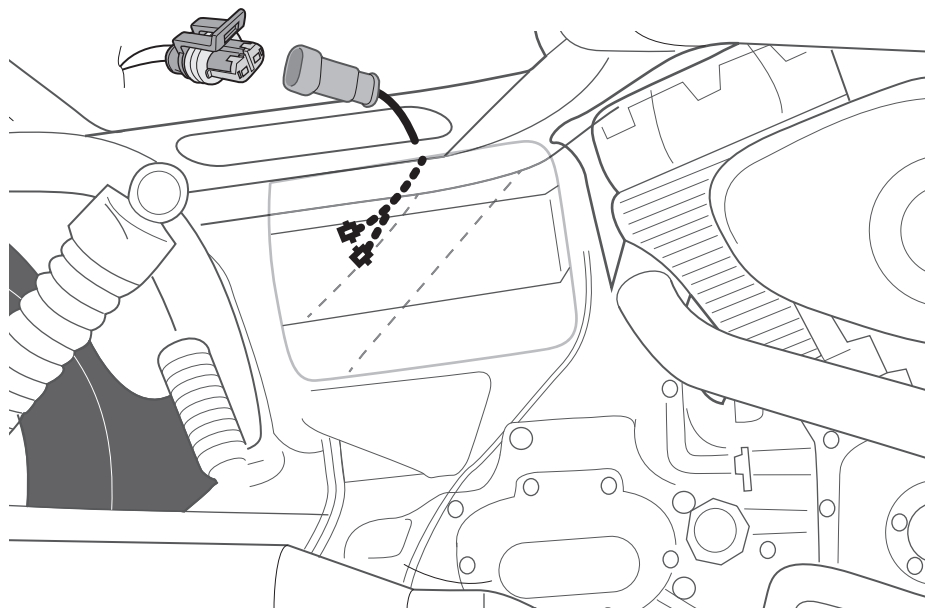
3

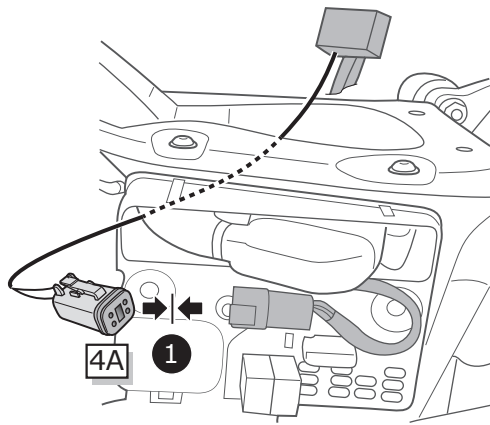
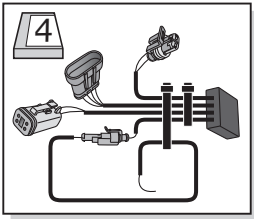


4D + 5A



STEP 7





**Option 2
CANBUS**

6 Pole

Speed signal

1 2 3

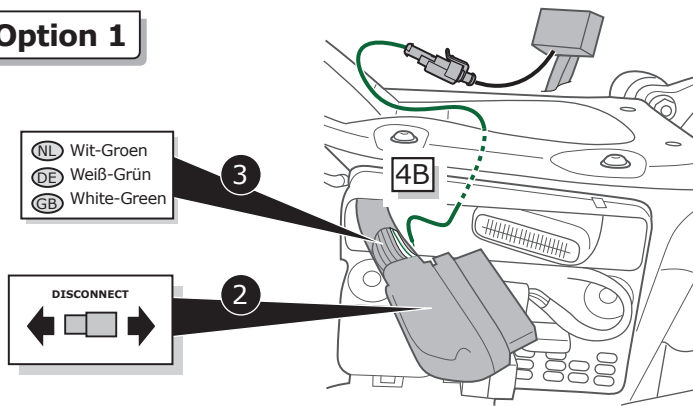
Option 1

Option 2

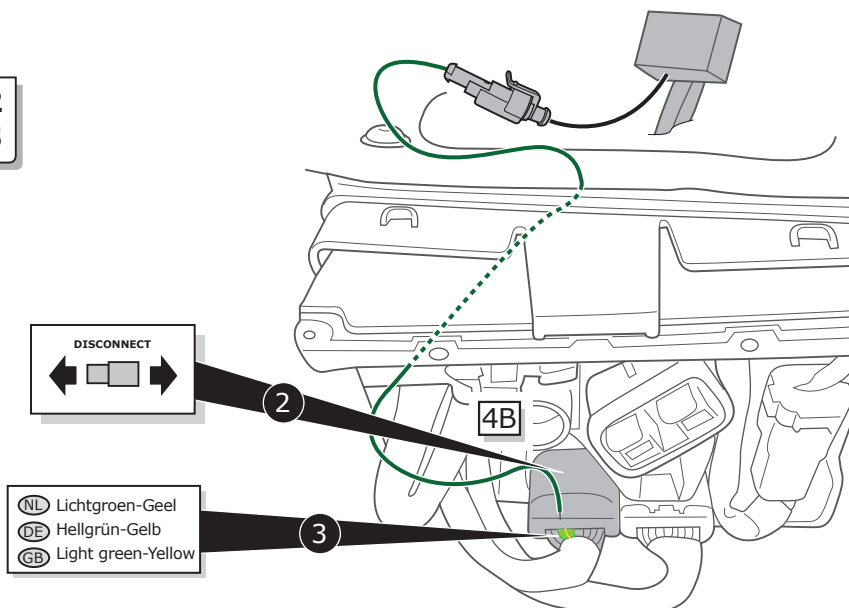
(NL) Groen
 (DE) Grün
 (GB) Green

4B

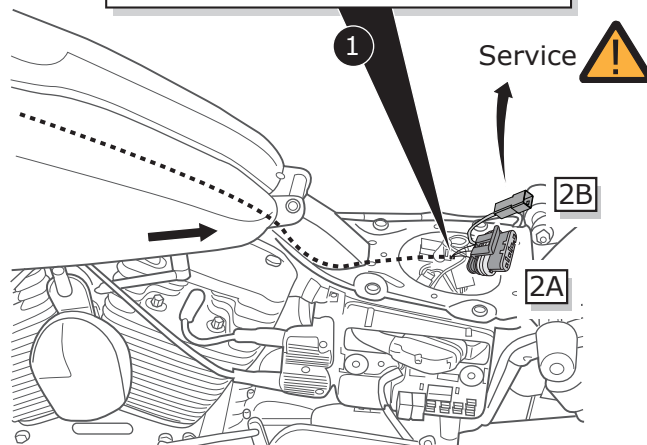
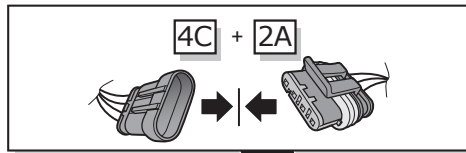
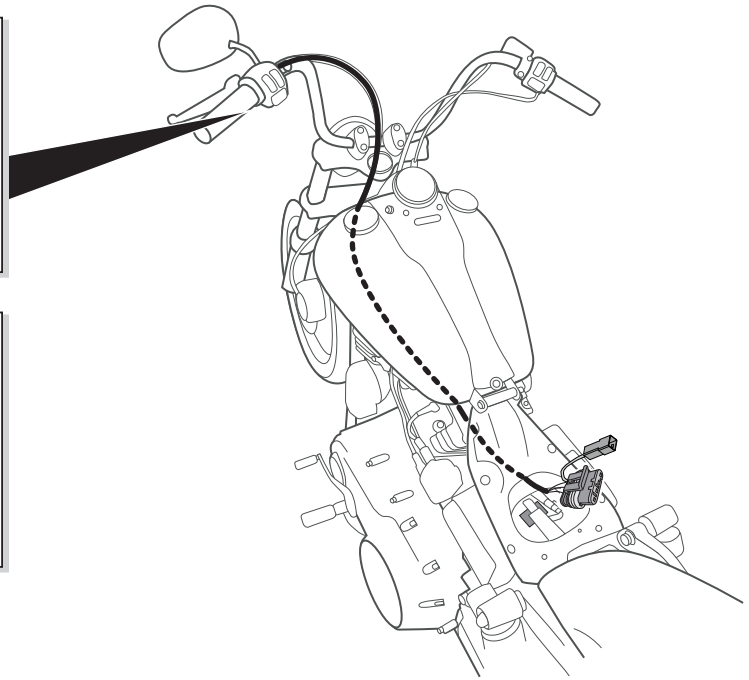
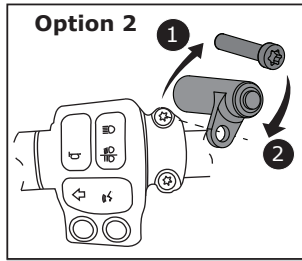
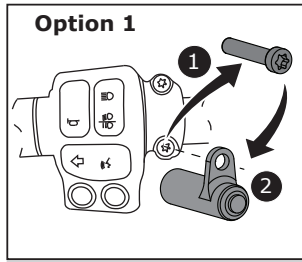
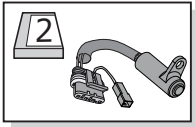
Option 1



**Option 2
CANBUS**

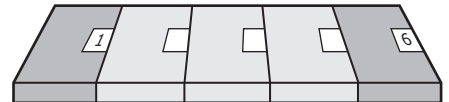


5

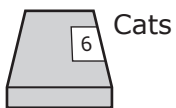


6

Items needed at step 7

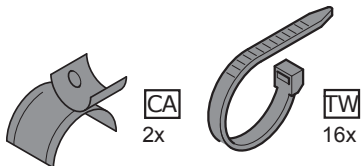


Assembly Kit



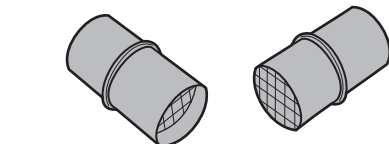
Cats

Exhaust/Cable /Servo System

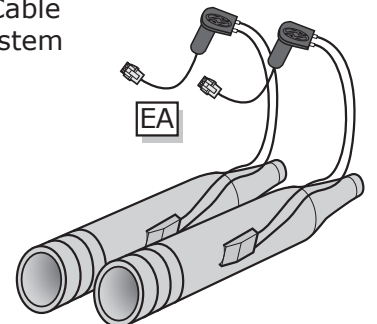


CA
2x

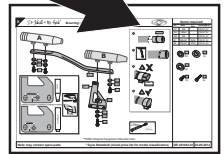
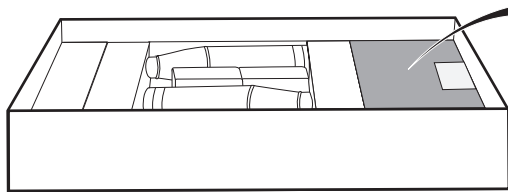
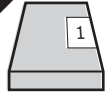
TW
16x



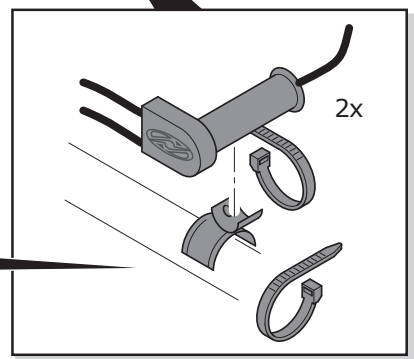
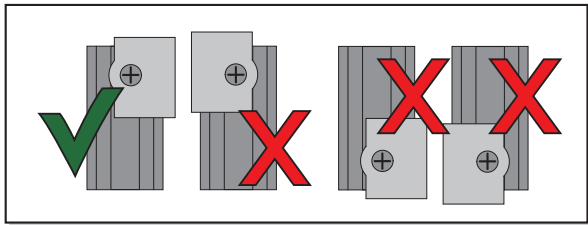
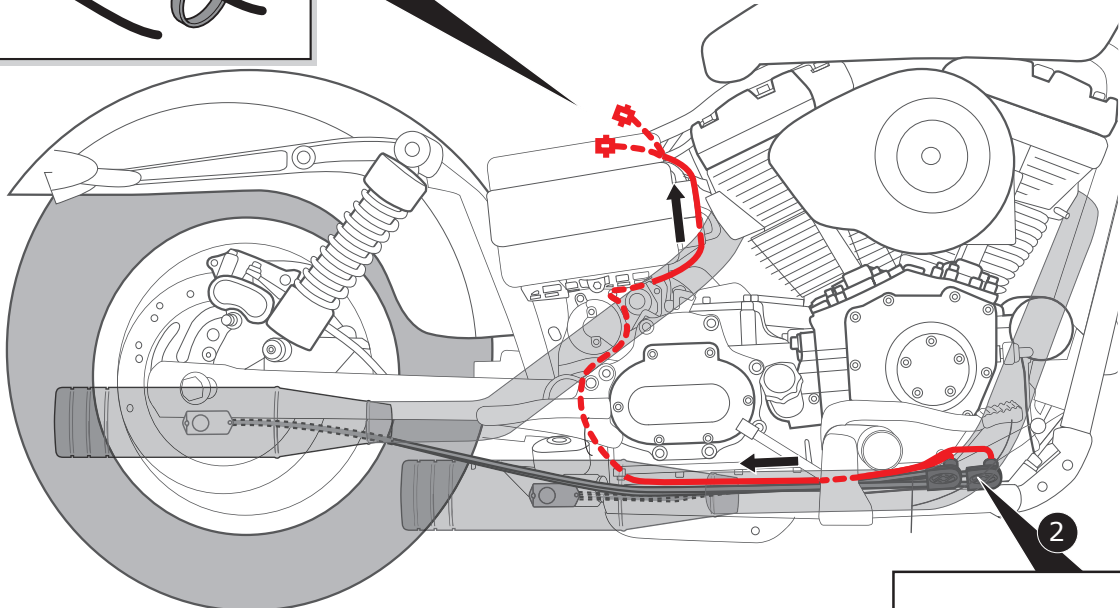
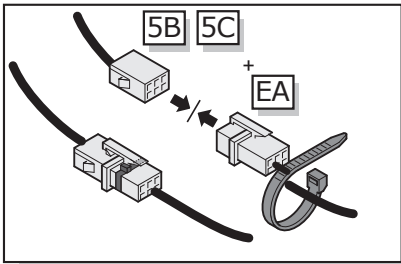
Optional!!



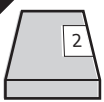
7 To mount exhaust use the mountingset



Mountingset
+
Manual



8



1
Complete
System
Check!

