



SN.

Dr. Jekyll & Mr. Hyde®

THE EXHAUST

MANUAL : HARLEY-DAVIDSON® | EASYMOUNT | BLACKBOX



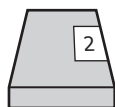
Dyna Fat Bob



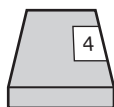
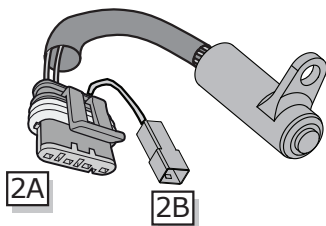
Dyna Wide Glide 2009->

1

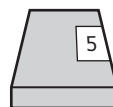
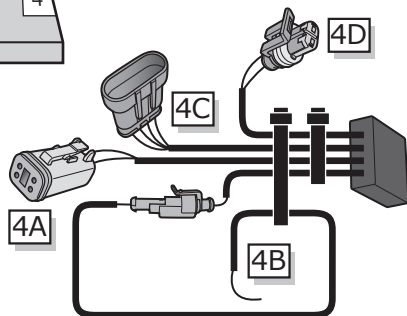
Dyna Fat Bob/Wide Glide 09up Easymount Blackbox



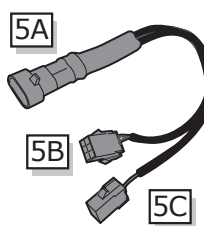
Mode Switch
for Blackbox



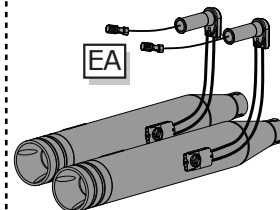
Blackbox



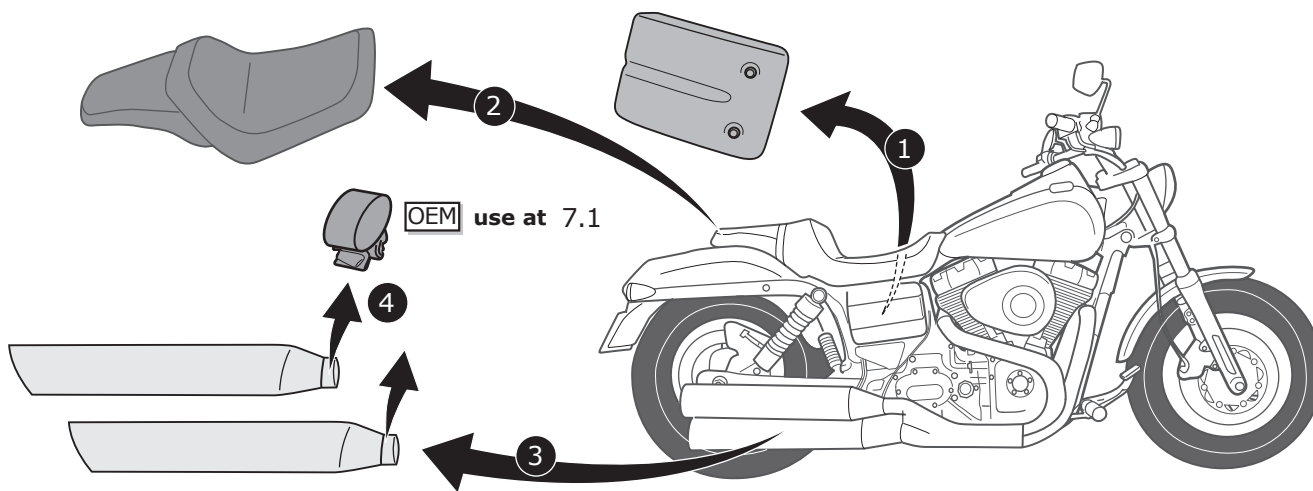
Y Cable



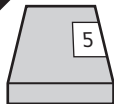
Exhaust/cable/
servo system



2



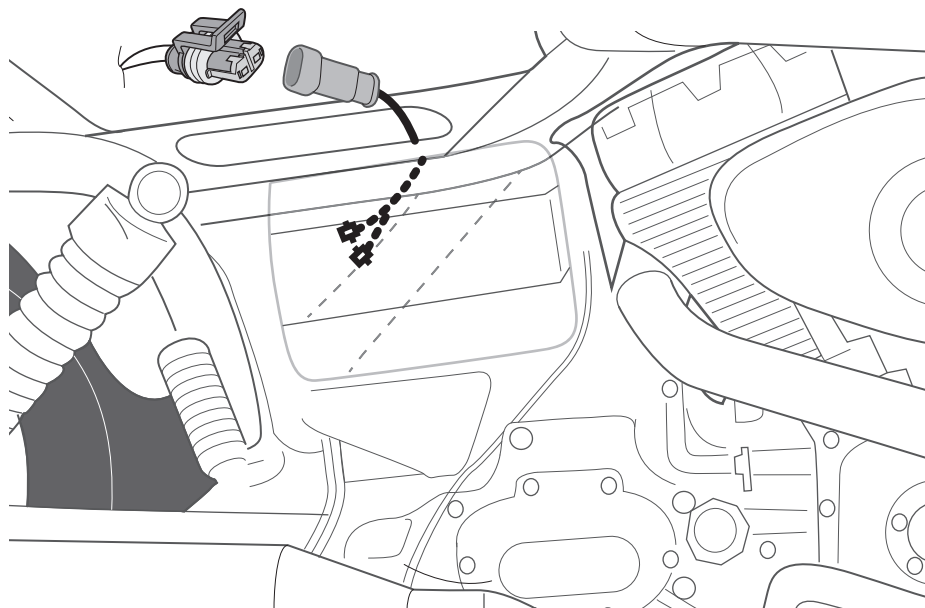
3

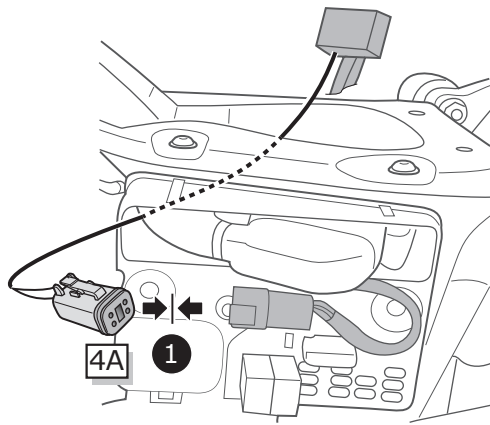
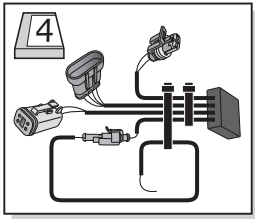


4D + 5A



STEP 7





**Option 2
CANBUS**

6 Pole

Speed signal

1

2 3

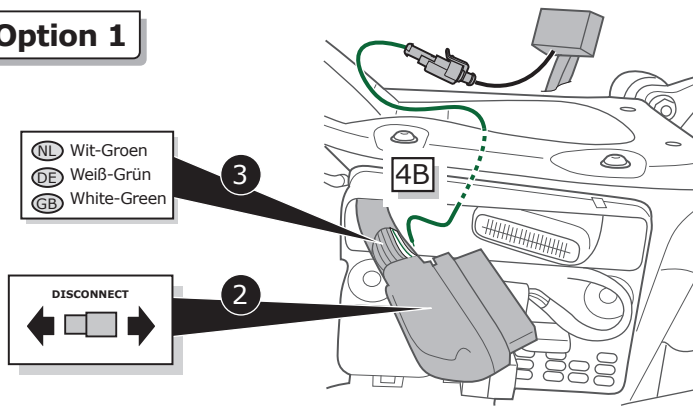
Option 1

Option 2

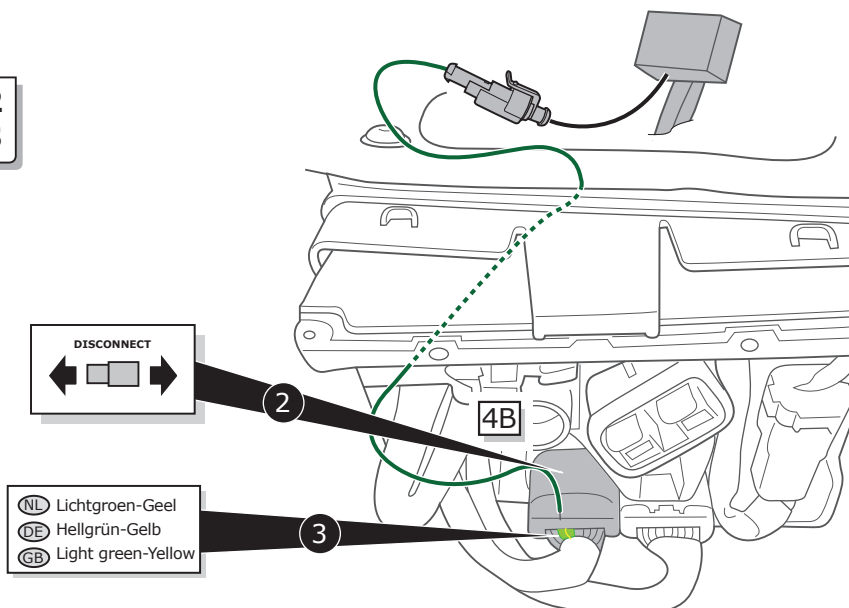
NL Groen
DE Grün
GB Green

4B

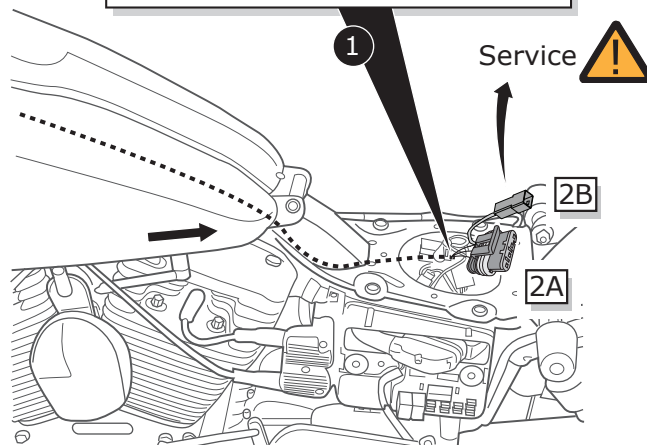
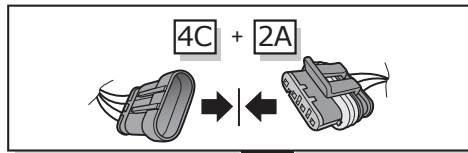
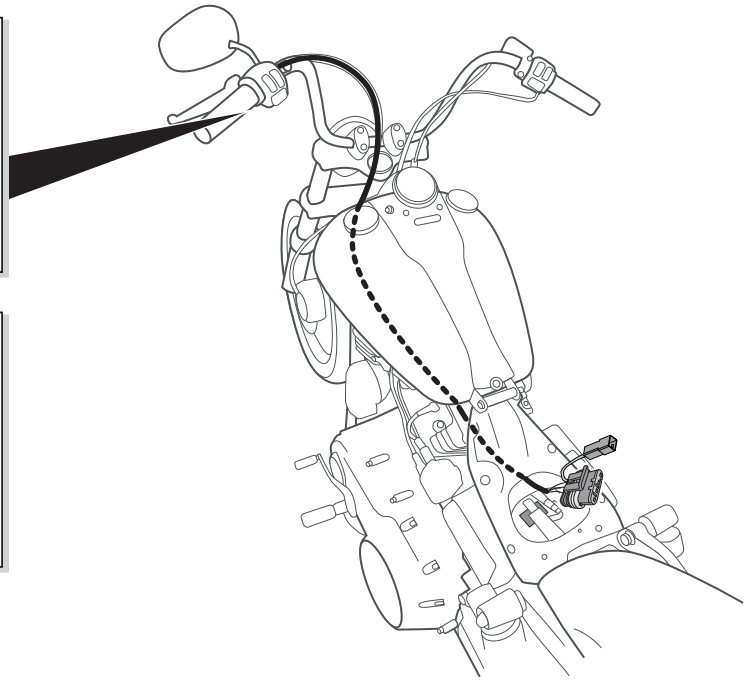
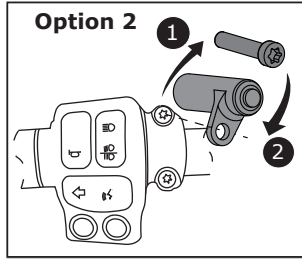
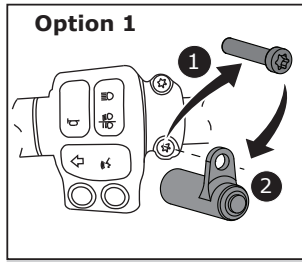
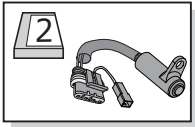
Option 1



**Option 2
CANBUS**

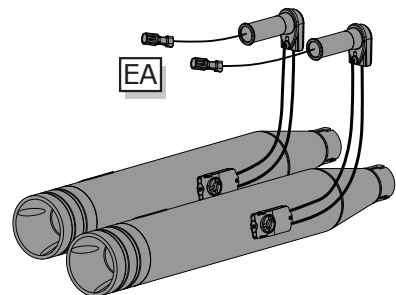
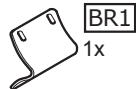
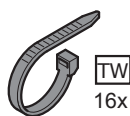
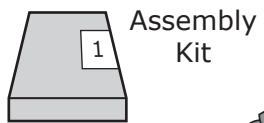
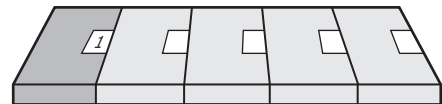


5

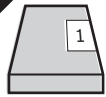


6

Items needed at step 7



7



BR1
1x



N1
4x



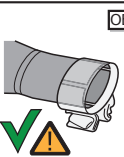
N2
1x



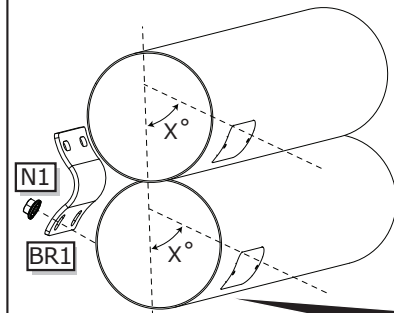
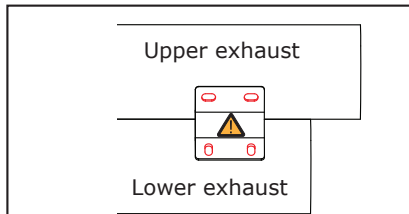
W1
2x



B1
1x



OEM

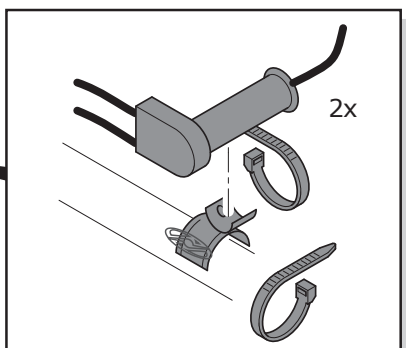
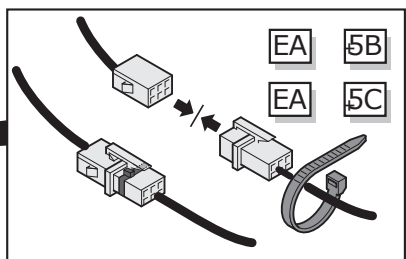
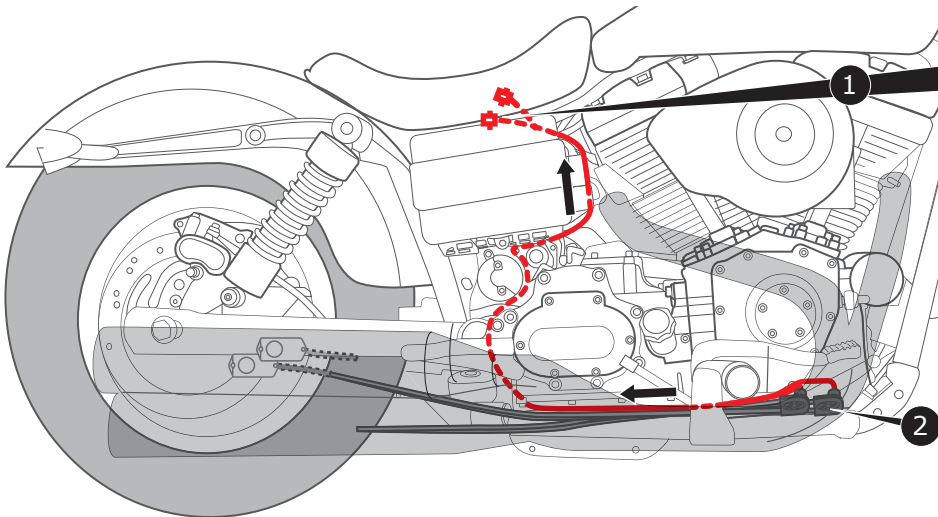
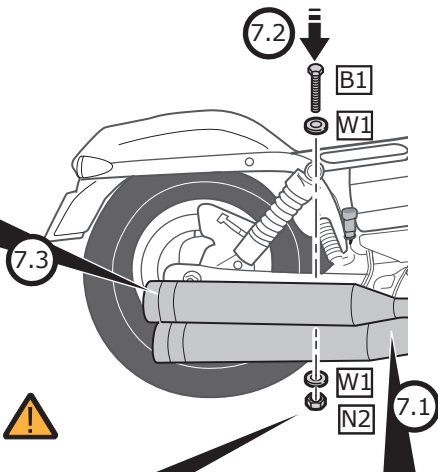


Position typeshields under the same angle (X°)

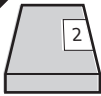
7Nm
300 km
N1 4x

27Nm
300 km
N2 1x

30Nm
300 km
OEM 2x



8



1

Complete System Check!

