



SN. . . . .

# Dr. Jekyll & Mr. Hyde<sup>®</sup>

## THE EXHAUST

MANUAL : HARLEY-DAVIDSON<sup>®</sup> | EASYMOUNT | SMARTBOX 2

### NEW IN THIS MANUAL:

- SMARTBOX 2
- HIROSE CONNECTORS



Dyna Fat Bob

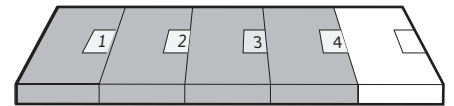


Dyna Wide Glide 2008->

1

# Dyna Fat Bob/Wide Glide (2008 up)

## Easymount Smartbox 2



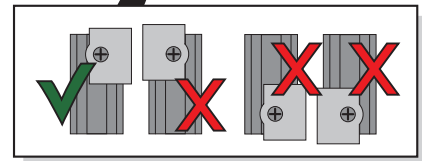
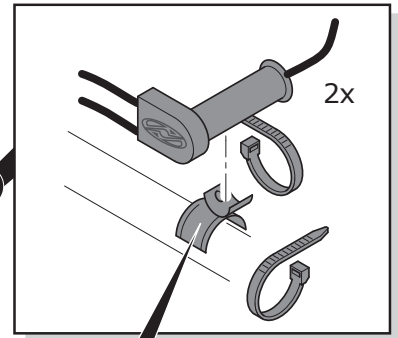
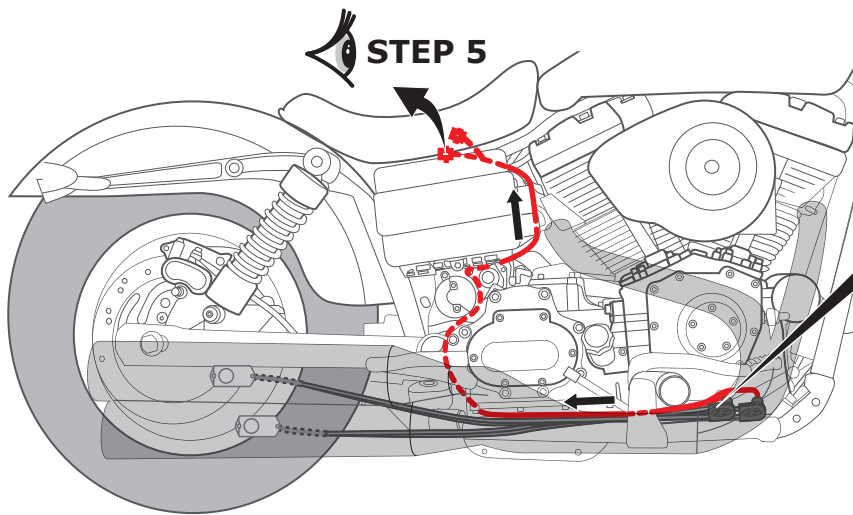
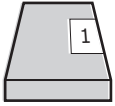
<p><b>1</b> Assembly kit</p> <ul style="list-style-type: none"> <li>CA 2x</li> <li>BR1 1x</li> <li>N2 1x</li> <li>TW 16x</li> <li>N1 4x</li> <li>W1 1x</li> </ul>	<p><b>2</b> Smartbox 2</p>	<p><b>3</b> Mode Switch for Smartbox 2</p> <p>Option 1</p>	<p><b>4</b> Control cable</p>	<p>Exhaust/cable/servo system</p>
---	----------------------------	--	-------------------------------	-----------------------------------

2

3

<p><b>1</b></p> <ul style="list-style-type: none"> <li>BR1 1x</li> <li>B1 1x</li> <li>N2 1x</li> <li>N1 4x</li> <li>W1 2x</li> </ul>	<p>Upper exhaust</p> <p>Lower exhaust</p> <p>Position typeshields under the same angle (X°)</p>	<p>OEM</p> <p>No Warranty</p>	<table border="1"> <tr> <td> <p>7Nm</p> <p>300 km</p> <p>N1 4x</p> </td> <td> <p>27Nm</p> <p>300 km</p> <p>N2 1x</p> </td> <td> <p>30Nm</p> <p>300 km</p> <p>OEM 2x</p> </td> </tr> </table>	<p>7Nm</p> <p>300 km</p> <p>N1 4x</p>	<p>27Nm</p> <p>300 km</p> <p>N2 1x</p>	<p>30Nm</p> <p>300 km</p> <p>OEM 2x</p>
<p>7Nm</p> <p>300 km</p> <p>N1 4x</p>	<p>27Nm</p> <p>300 km</p> <p>N2 1x</p>	<p>30Nm</p> <p>300 km</p> <p>OEM 2x</p>				

4



5

