



SN.

Dr. Jekyll & Mr. Hyde[®]

THE EXHAUST

MANUAL : HARLEY-DAVIDSON[®] | EASYMOUNT | SMARTBOX 2

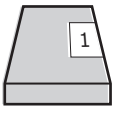
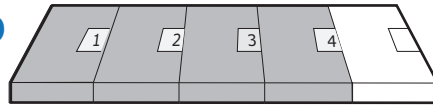
**NEW IN THIS MANUAL:
- HIROSE CONNECTORS**



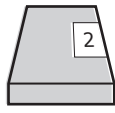
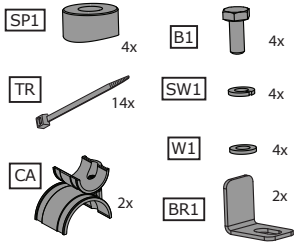
Triglide , Freewheeler
2017-up

1

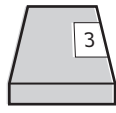
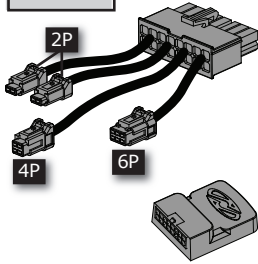
Triglide, Freewheeler 2017-up Easymount Smartbox



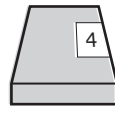
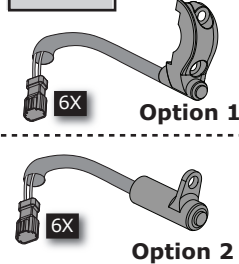
Assembly Kit



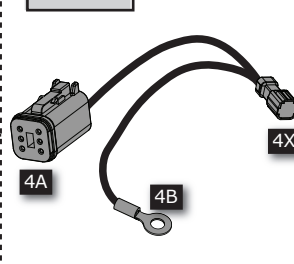
Smartbox



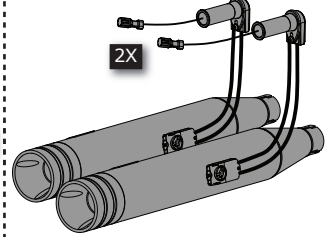
Mode Switch for Smartbox



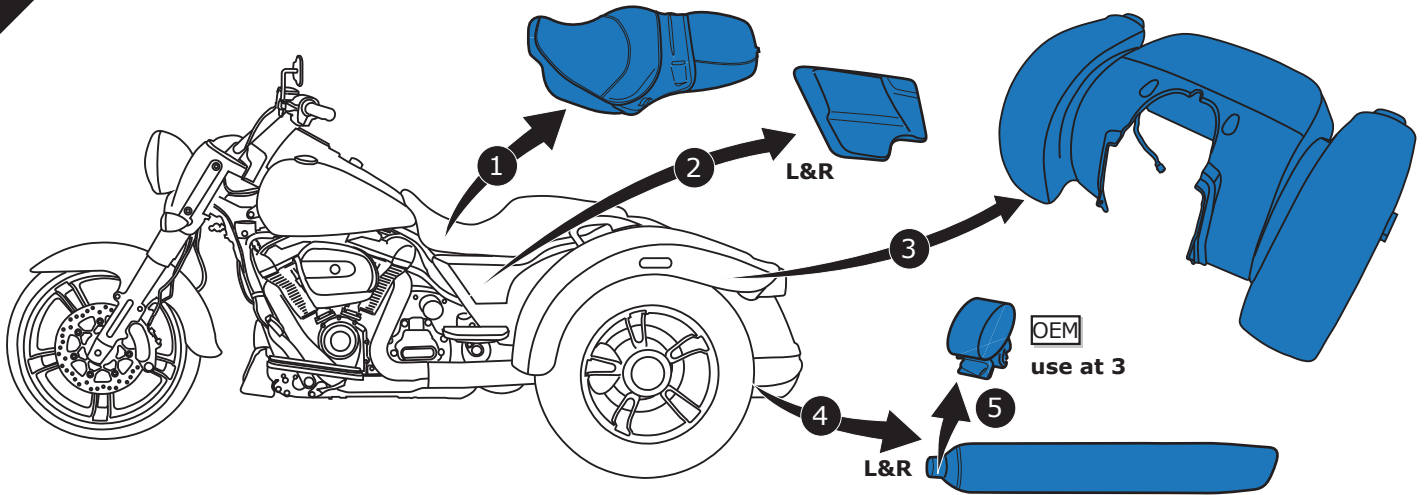
Smartbox Control Cable



Exhaust/Cable / Servo System



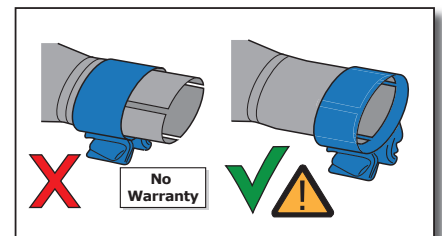
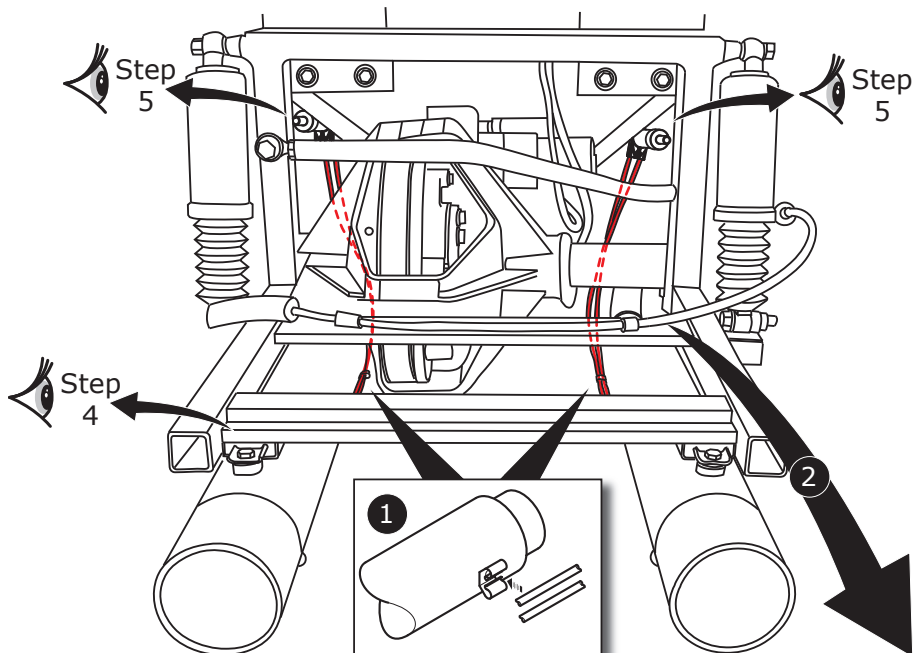
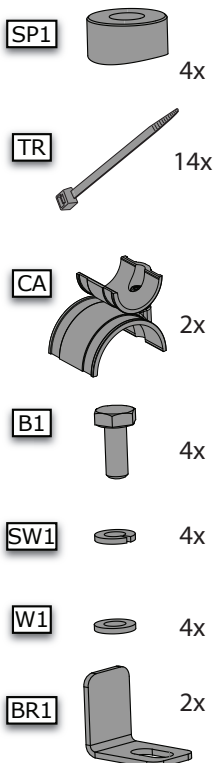
2



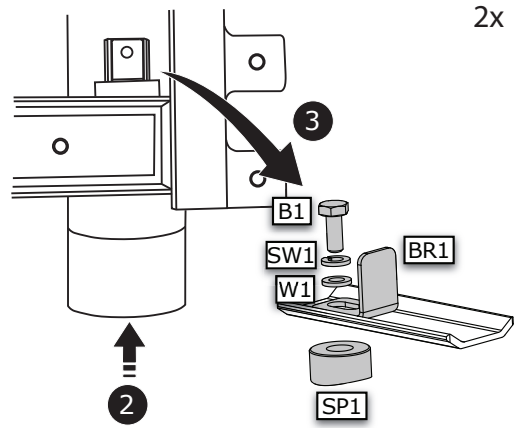
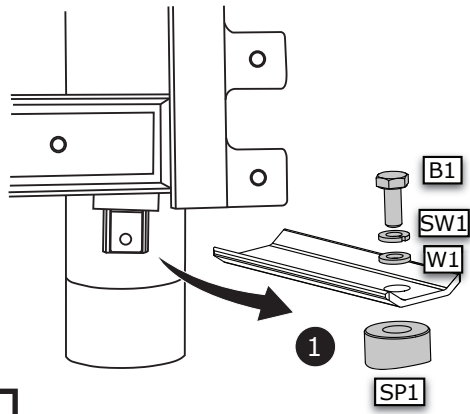
3



items required



4



seperate spacers

The Exhaust

No Warranty

27Nm
20lbf ft

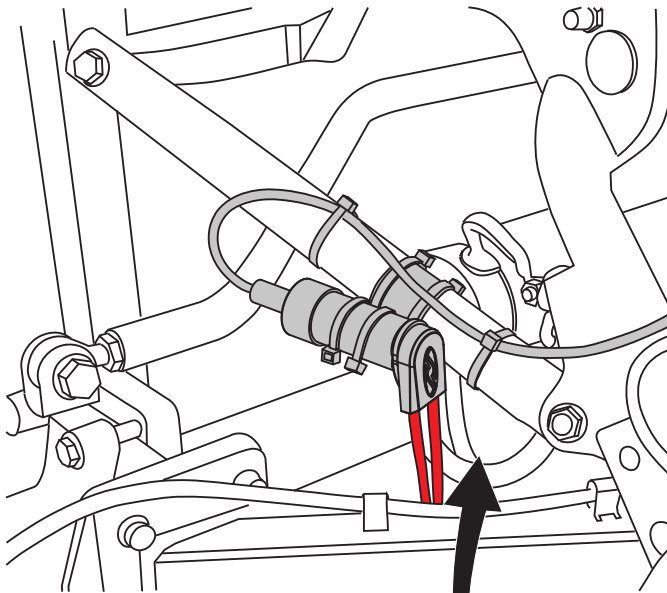
300 mm
186 mm

1x

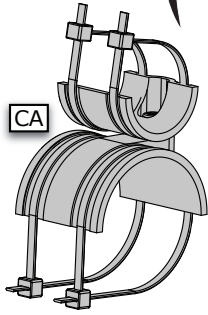
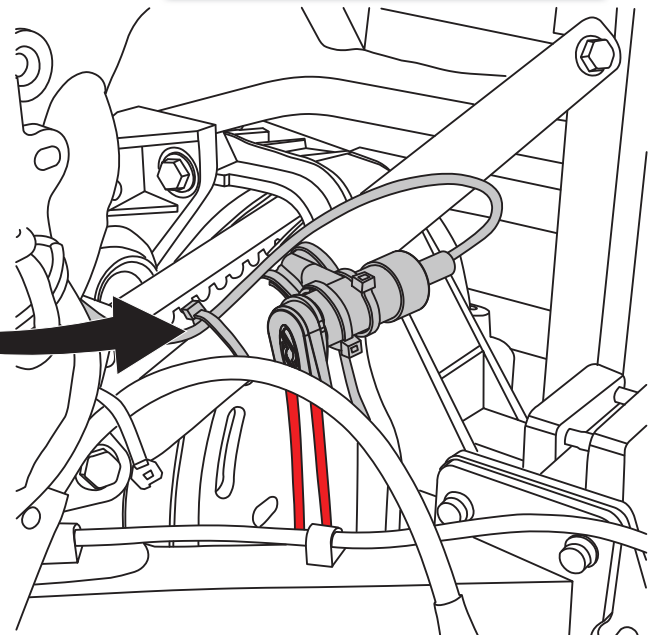
5



Servo position right



Servo position left



6

2P + 2X

6P + 6X

Or

8Nm
6lbf ft

1x

Avoid Bending near the connector

Sufficient cable length for slack

7

4P + 4X

4A + OEM

Avoid Bending near the connector

Sufficient cable length for slack

8

Complete System Check!

L&R