



SN.

Dr. Jekyll & Mr. Hyde[®]

THE EXHAUST

MANUAL : INDIAN[®] | EASYMOUNT | SMARTBOX 2

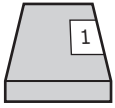
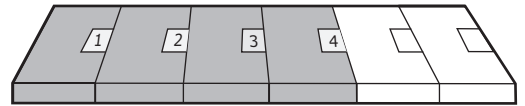
**NEW IN THIS MANUAL:
- (LEFT) SERVO POSITION**



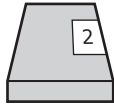
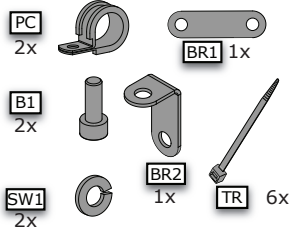
**Bagger, Cruiser, Touring
2014->**

1

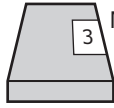
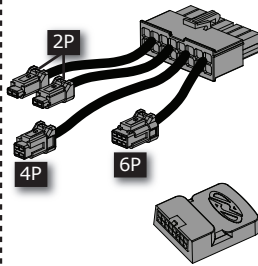
Bagger, Cruiser, Touring 2014-> Easymount Smartbox 2



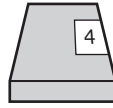
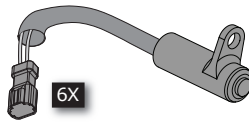
Assembly Kit



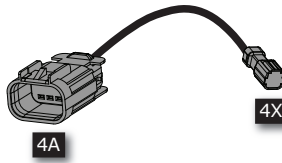
Smartbox 2



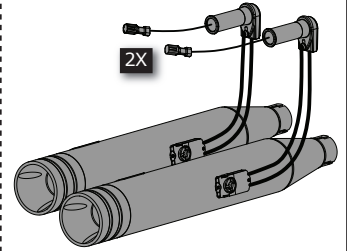
Mode Switch for Smartbox



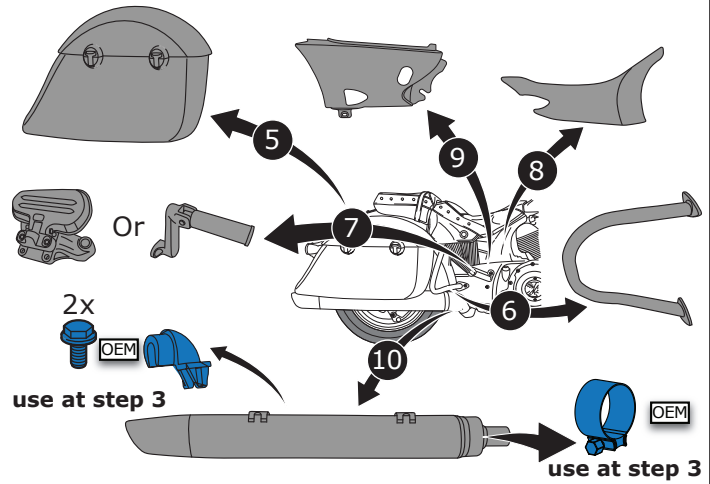
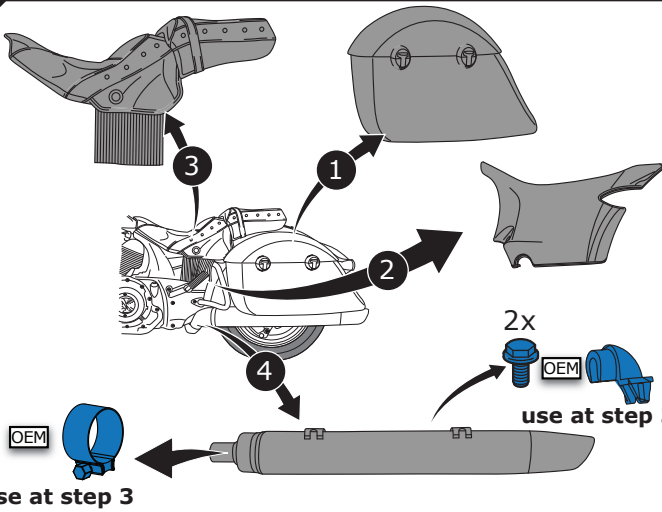
Smartbox Control Cable



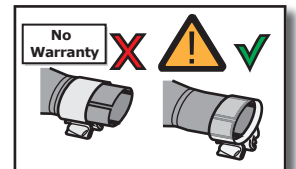
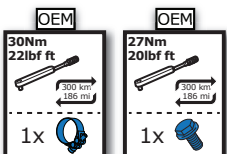
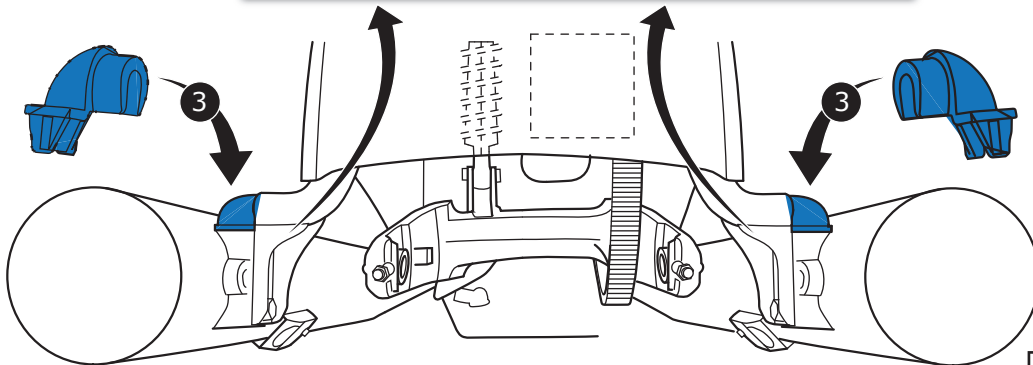
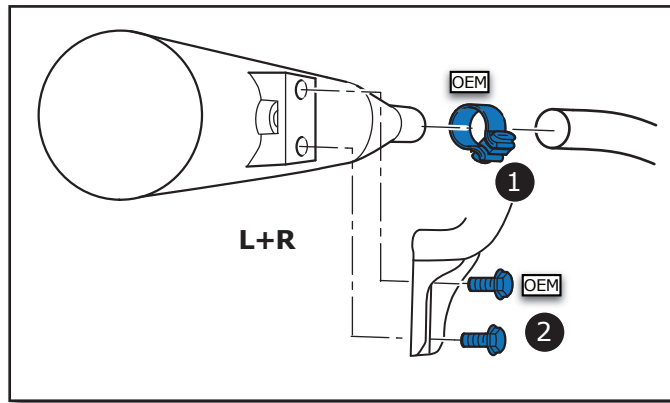
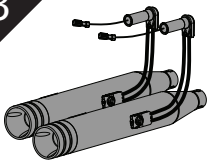
Exhaust/Cable /Servo System



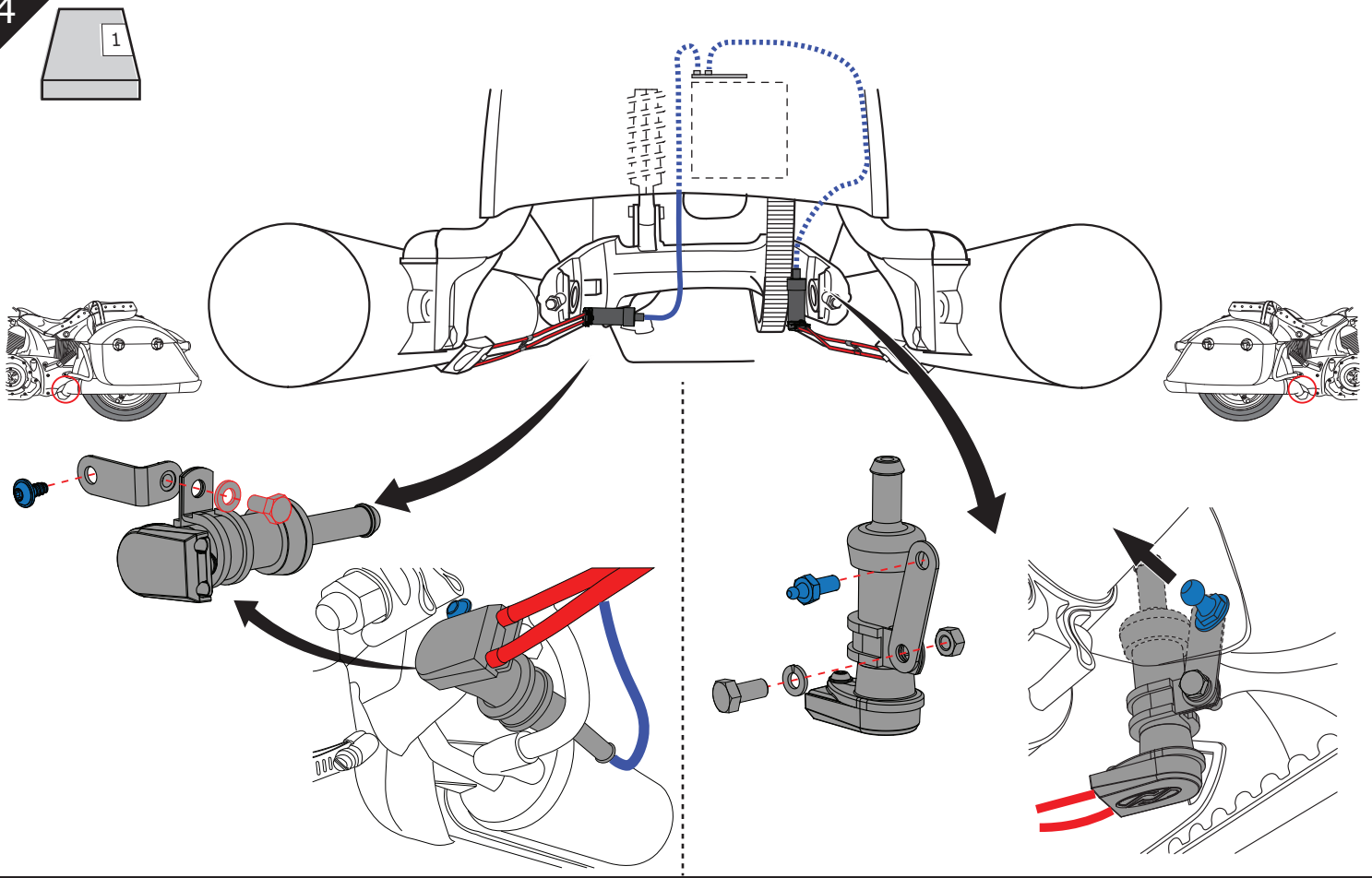
2



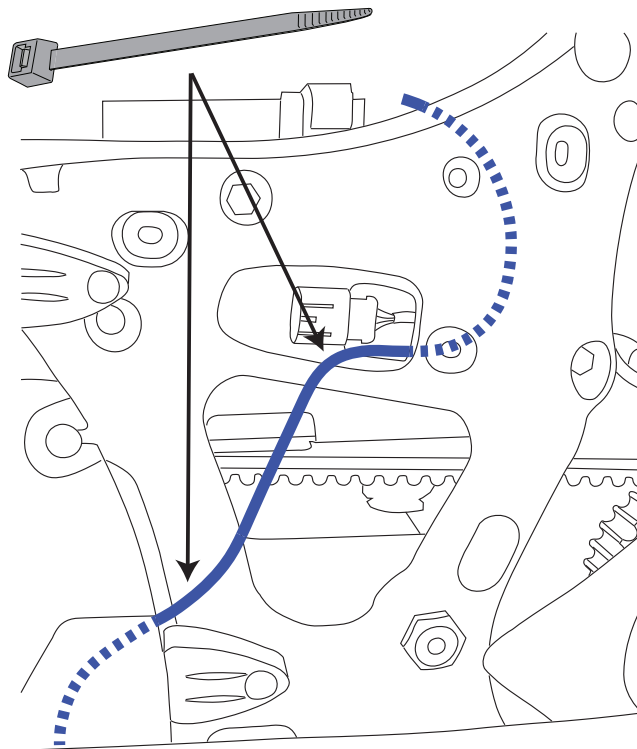
3



4



5




 Keep cable
 clear of
 drive belt

Right hand side servo cable routing

