



SN. . . . .

# Dr. Jekyll & Mr. Hyde®

## THE EXHAUST

MANUAL : HARLEY-DAVIDSON® | EASYMOUNT | SMARTBOX 2

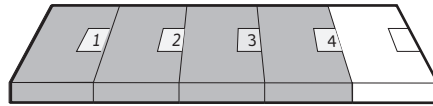
### NEW IN THIS MANUAL:

- SMARTBOX 2
- EXHAUST MOUNTING
- SERVO POSITIONS

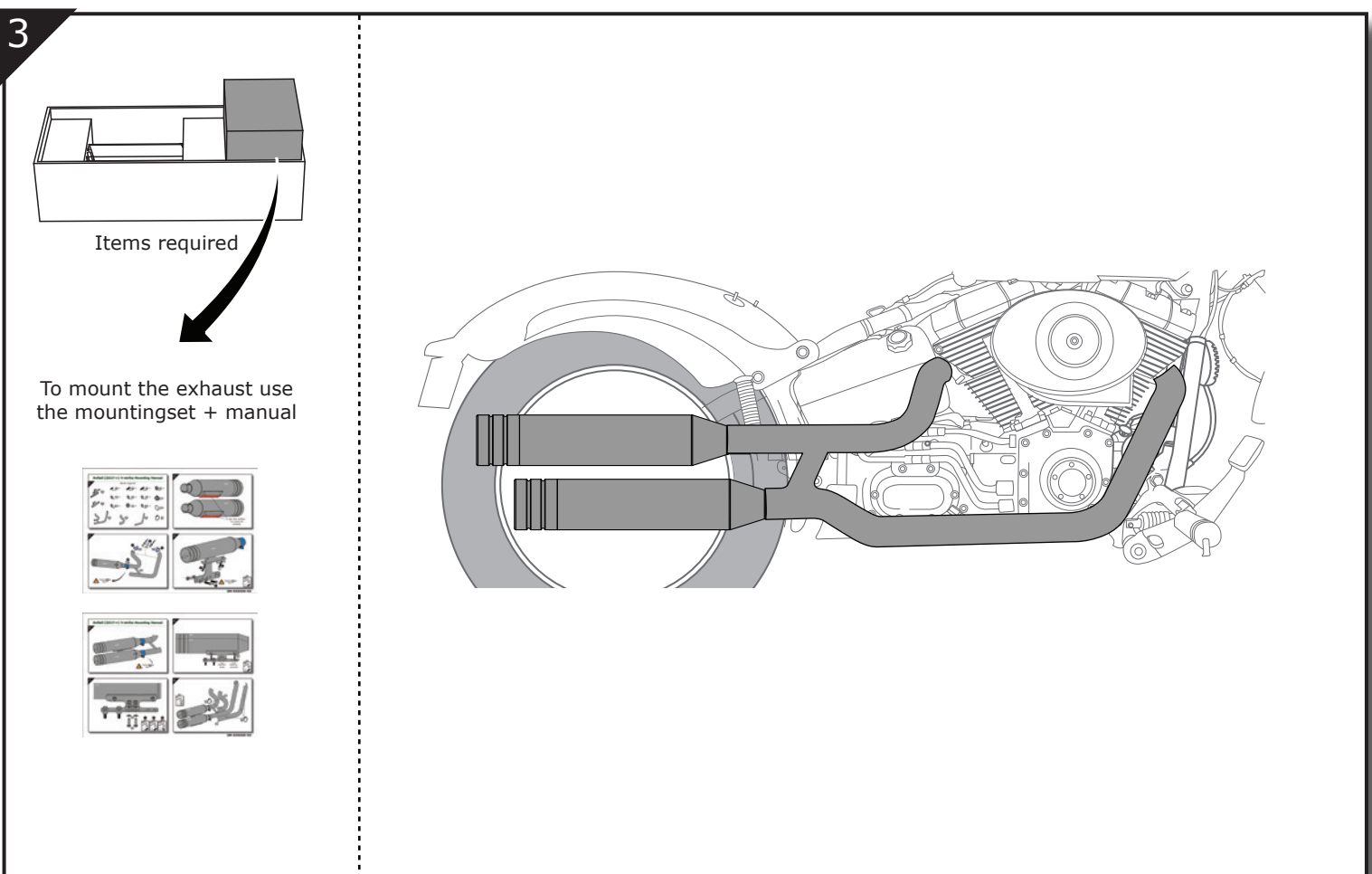
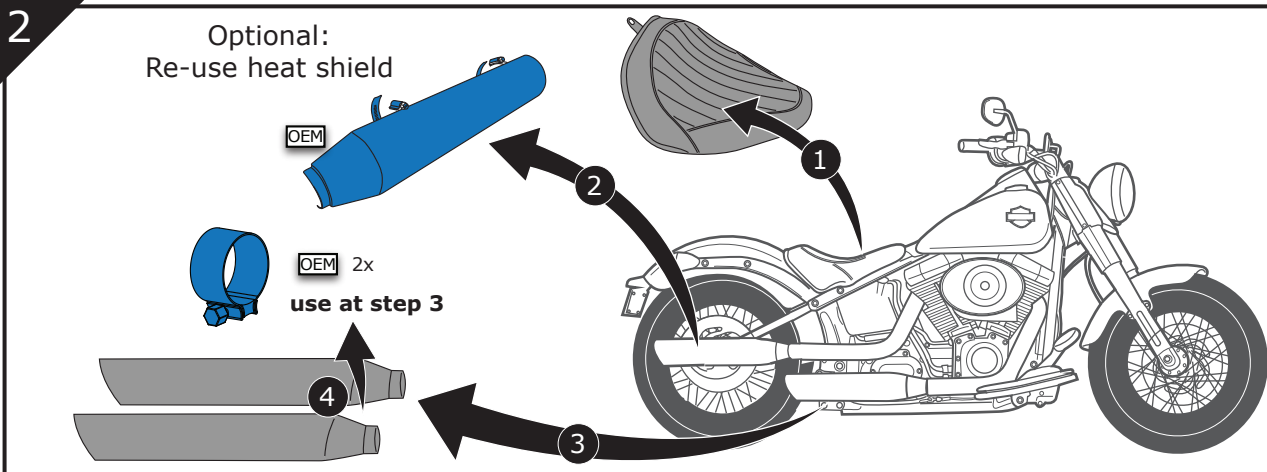


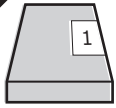
Softail® 2017 ->  
Upper models

# 1 Softail Upper 2017 -> Easymount Smartbox

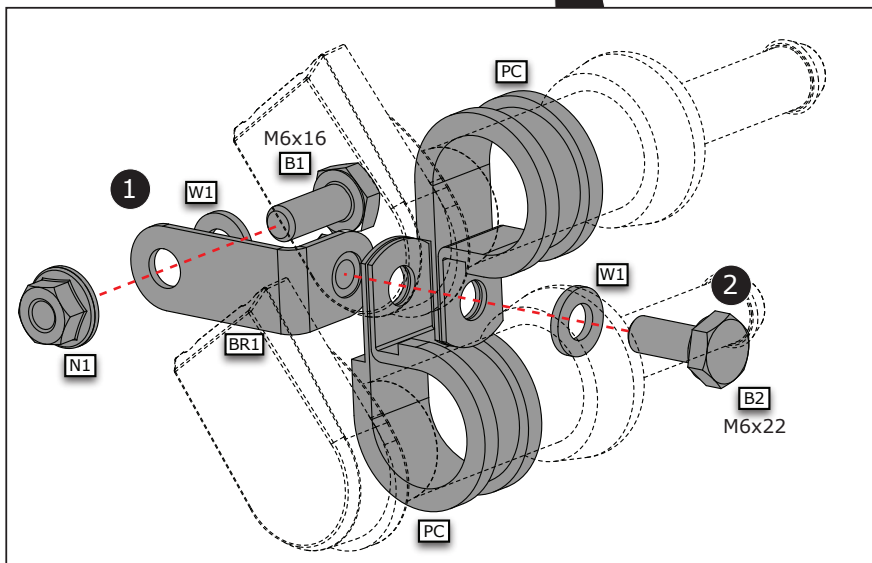
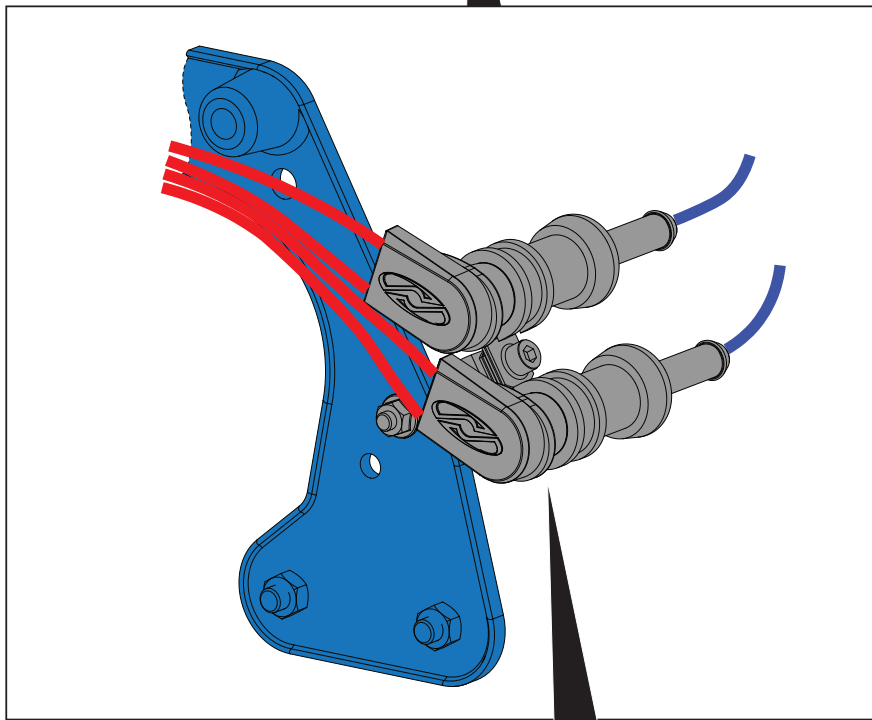
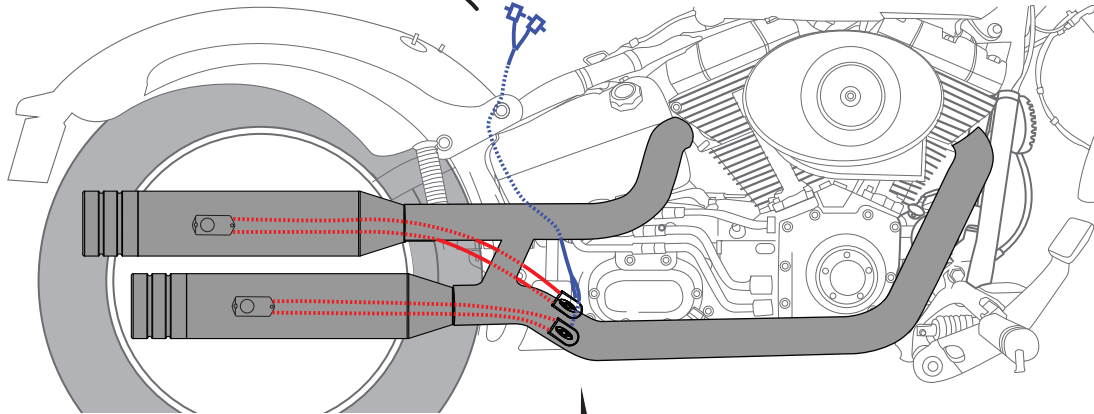


<p><b>1 Assembly Kit</b></p> <p>PC 2x BR1 1x B1 1x B2 1x W1 2x N1 1x TR 6x</p>	<p><b>2 Smartbox 2</b></p> <p>2C 2B 2A</p>	<p><b>3 Mode Switch for Smartbox</b></p> <p>3A 3B Or 3A 3B</p>	<p><b>4 Smartbox Control Cable</b></p> <p>4A 4B 4C</p>	<p><b>Exhaust/Cable /Servo System</b></p> <p>EA</p>
--	--	--	--	---





Step 5



**B1 B2**

10Nm  
7lbf ft

300 km  
186 mi

2x

Actual cables are black

