



SN.

Dr. Jekyll & Mr. Hyde[®]

THE EXHAUST

MANUAL : HARLEY-DAVIDSON[®] | EASYMOUNT | SMARTBOX 2

NEW IN THIS MANUAL:

- SMARTBOX 2
- SERVO POSITIONS



Dyna[®] V-Strike 2017 ->

1

Dyna V-Strike 2017-> Easymount Smartbox 2



1 Assembly Kit

CA
2x

TR
12x

2 Smartbox 2

2A

2B

2C

3 Mode Switch for Smartbox

3A

3B

Or

3A

3B

4 Smartbox Control Cable

4A

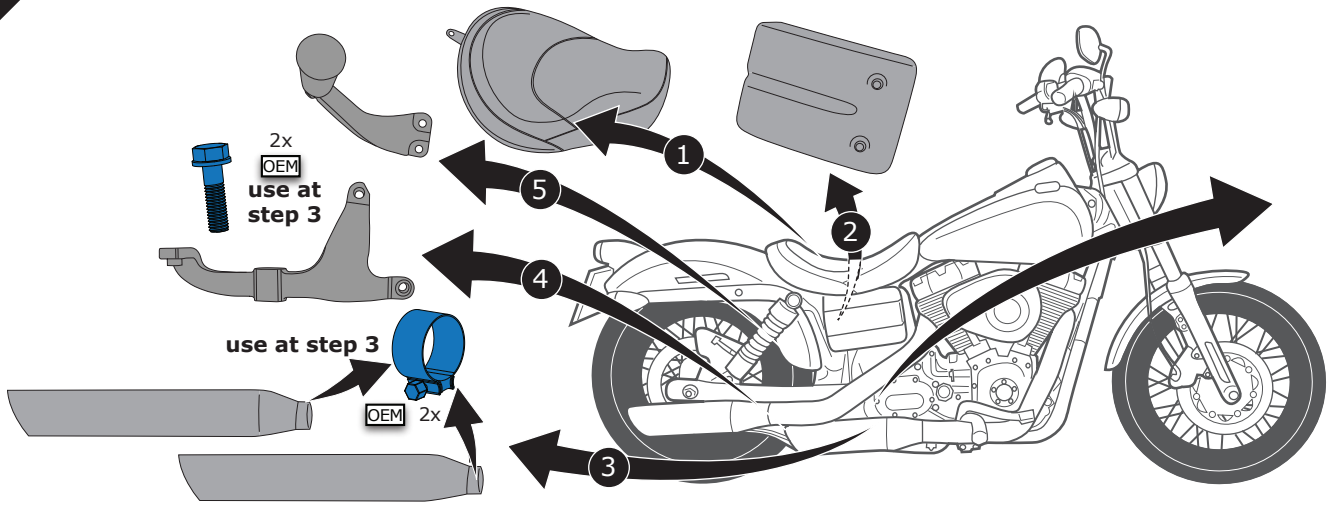
4B

4C

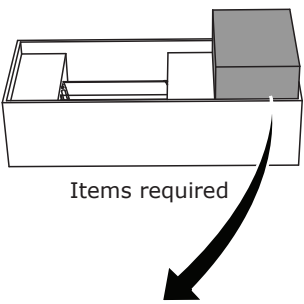
Exhaust/Cable /Servo System

EA

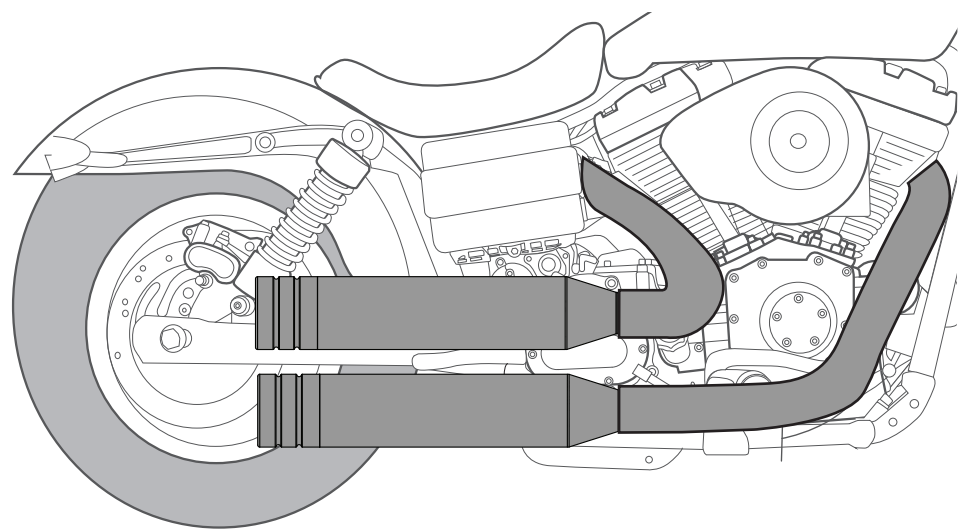
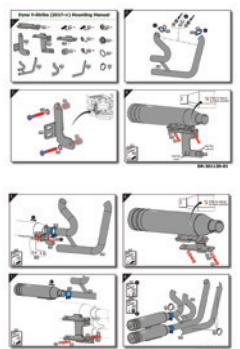
2



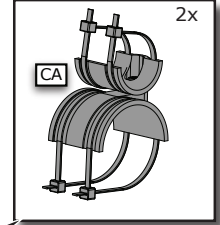
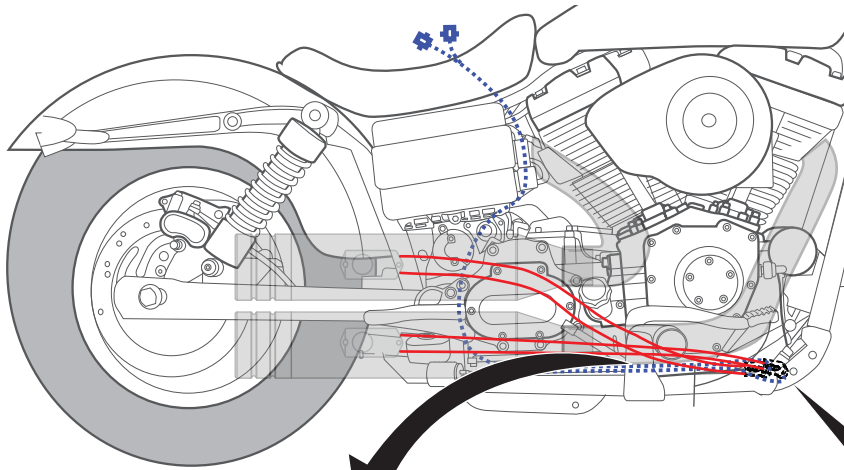
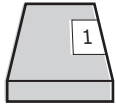
3



To mount the exhaust use the mountingset + manual

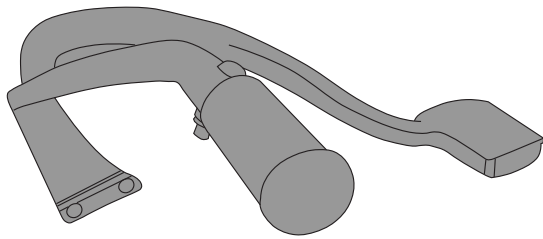


4

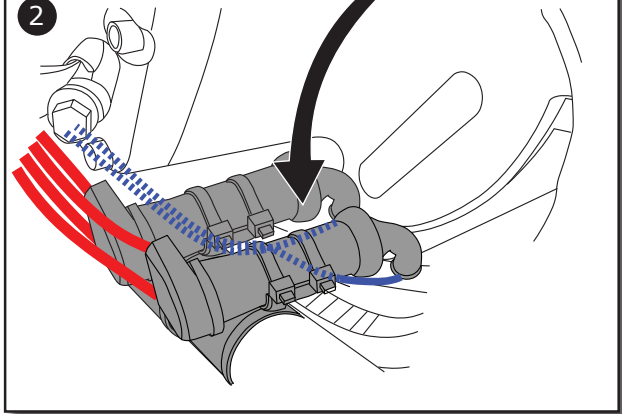


1

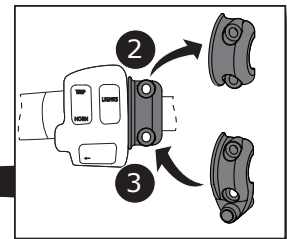
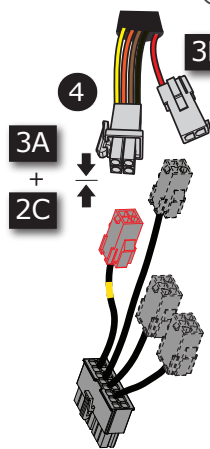
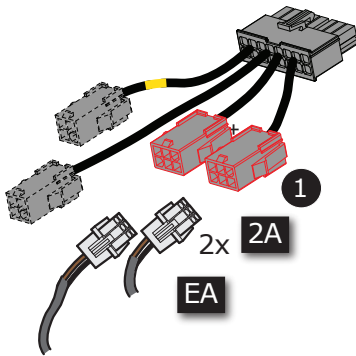
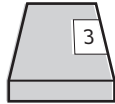
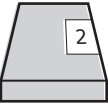
To be able to feed servo cables through:
Loosen, don't remove



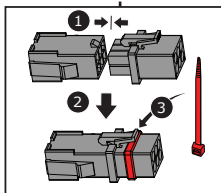
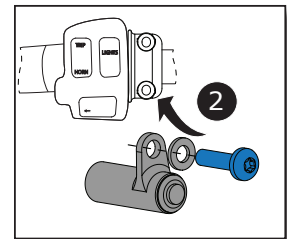
2



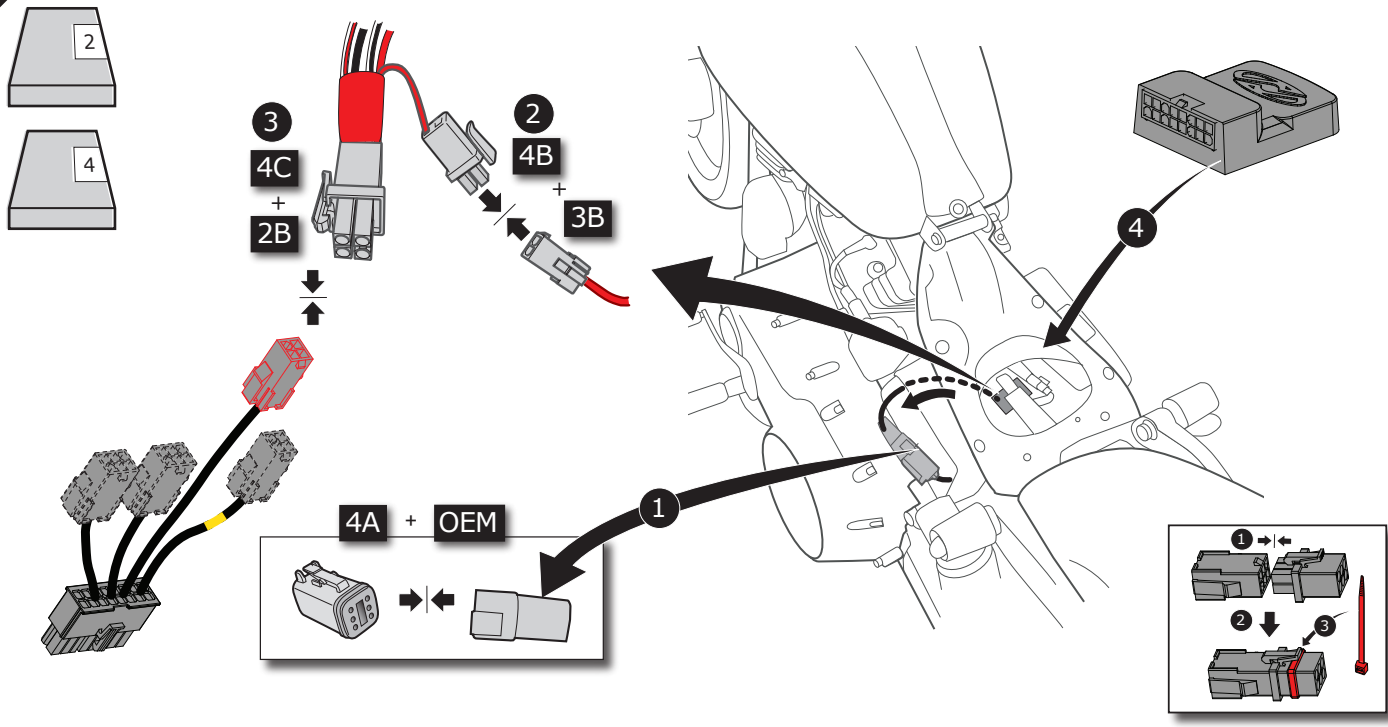
5



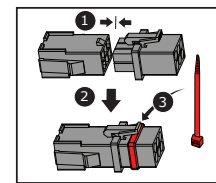
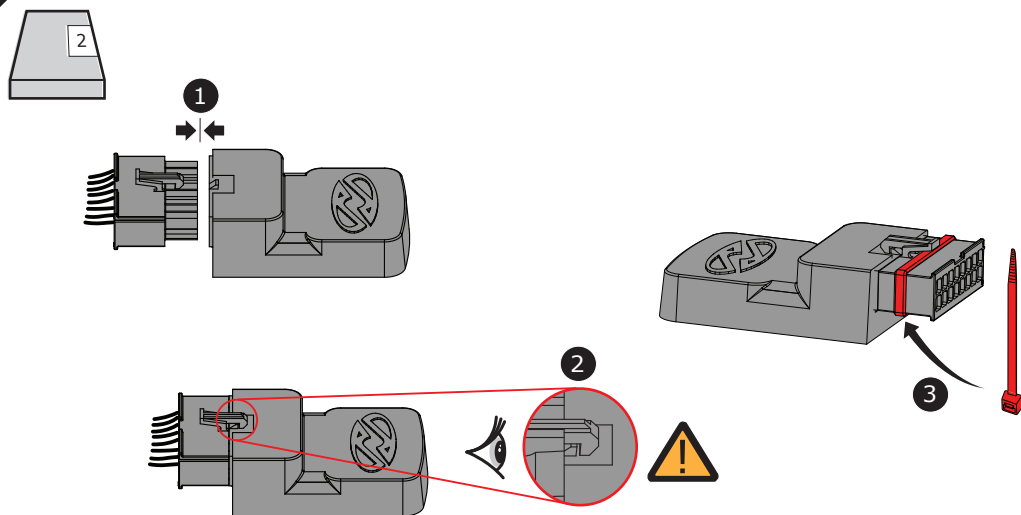
Or



6



7



Complete System Check!

8

