



SN.

Dr. Jekyll & Mr. Hyde[®]

THE EXHAUST

MANUAL : HARLEY-DAVIDSON[®] | EASYMOUNT | SMARTBOX 2

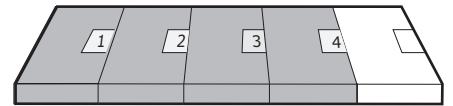
NEW IN THIS MANUAL:
- 2018 MODEL



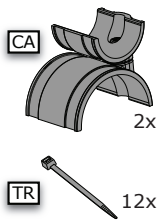
Fat Bob
2018->

1

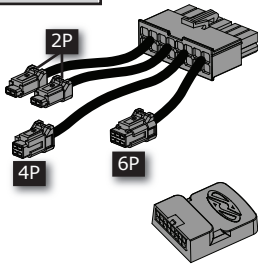
Fat Bob 2018-> Easymount Smartbox 2



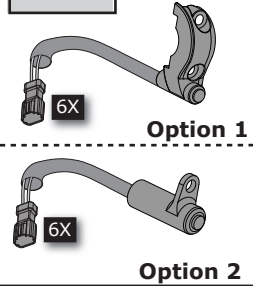
1 Assembly Kit



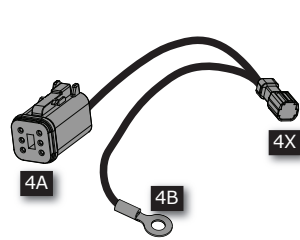
2 Smartbox 2



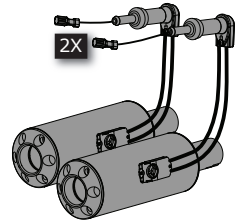
3 Mode Switch for Smartbox



4 Smartbox Control Cable

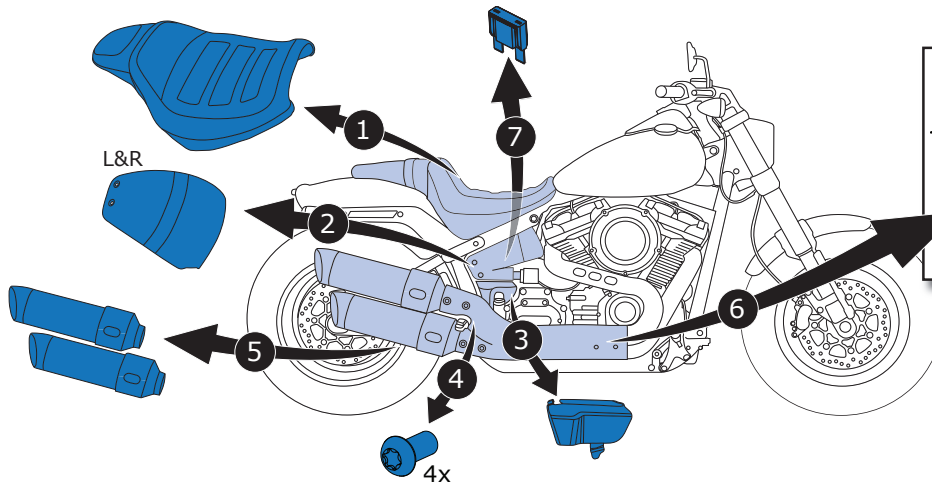


Exhaust/Cable Control /Servo System



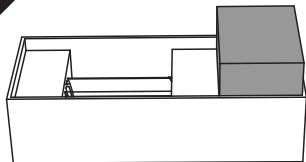
2

Re-use at step 3 & 4
4x 2x

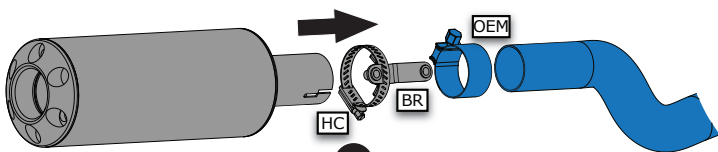
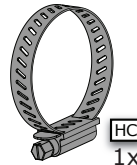
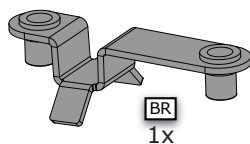


3

Upper exhaust

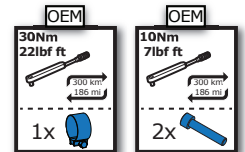
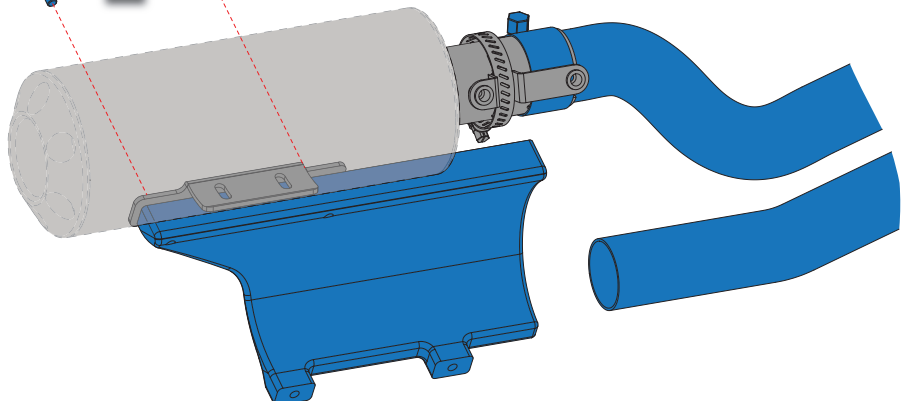


Items required



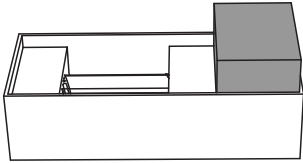
1 Slide exhaust on OEM header

2 Attach exhaust to OEM bracket

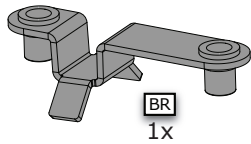


4

Lower exhaust



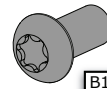
Items required



BR
1x



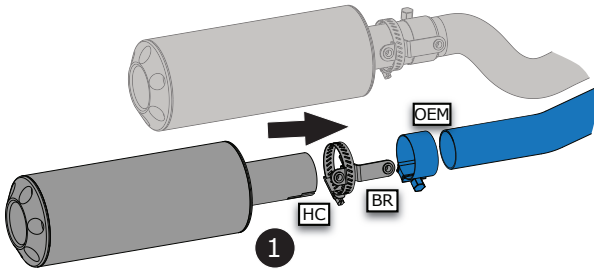
HC
1x



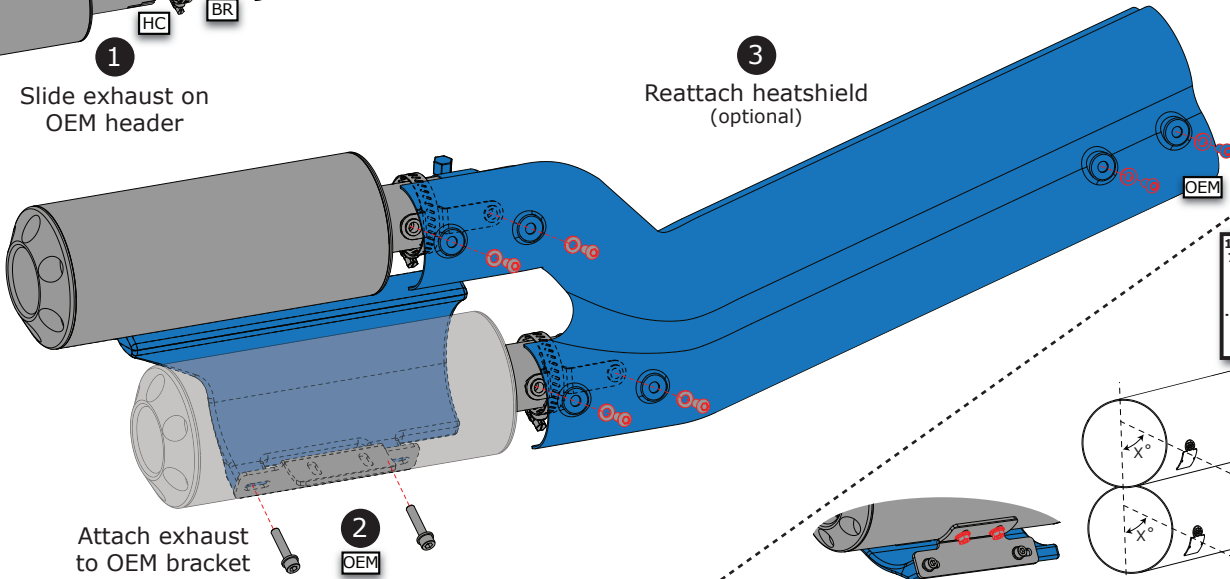
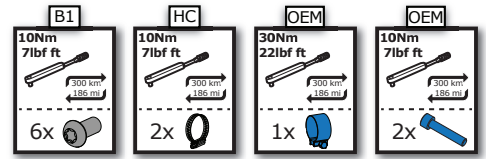
B1
4x



N1
4x

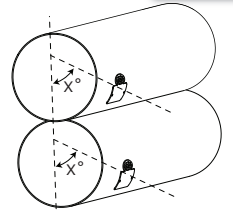
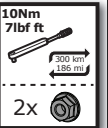


1
Slide exhaust on
OEM header



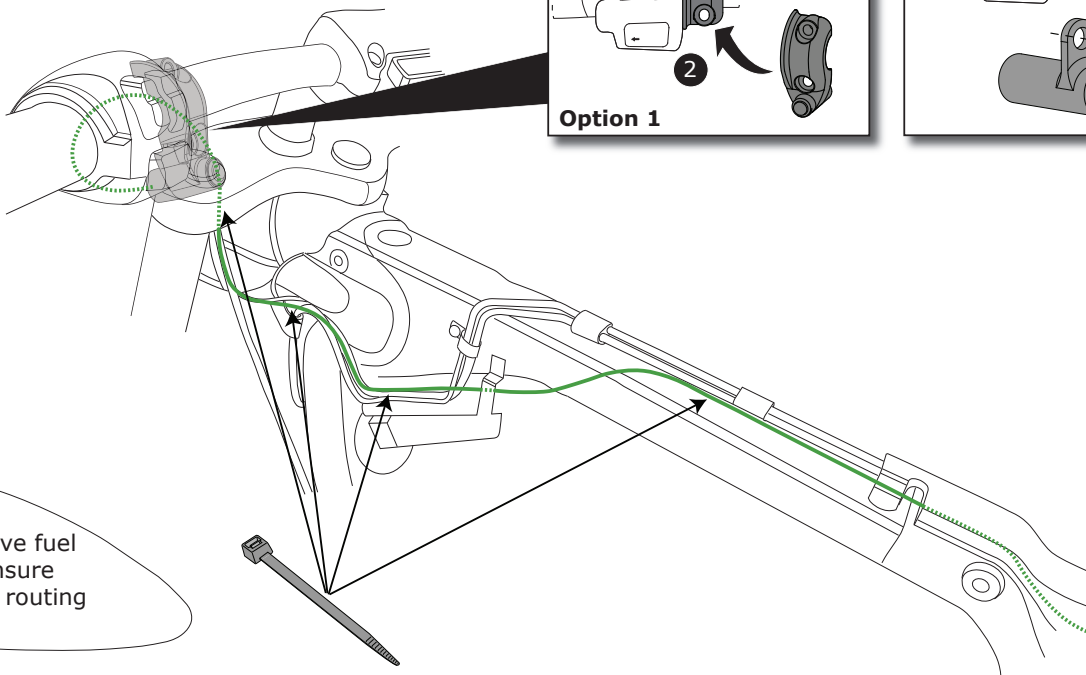
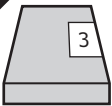
2
Attach exhaust to
OEM bracket

3
Reattach heatshield
(optional)

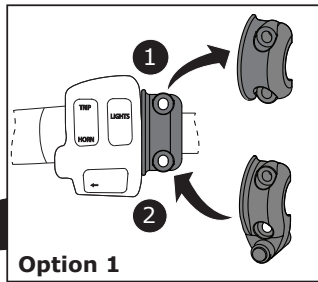


If necessary: Loosen lower exhaust and align exhausts

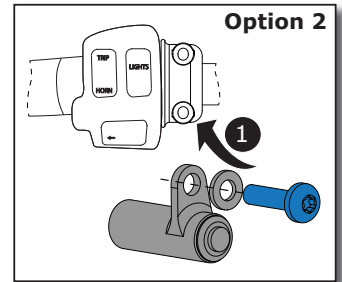
5



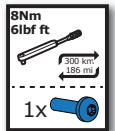
Lift or remove fuel
tank to ensure
proper cable routing



Option 1



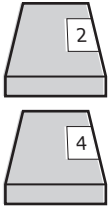
Option 2



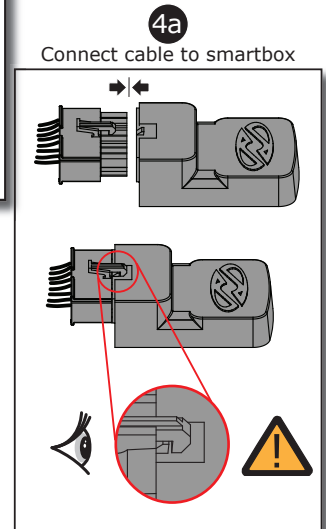
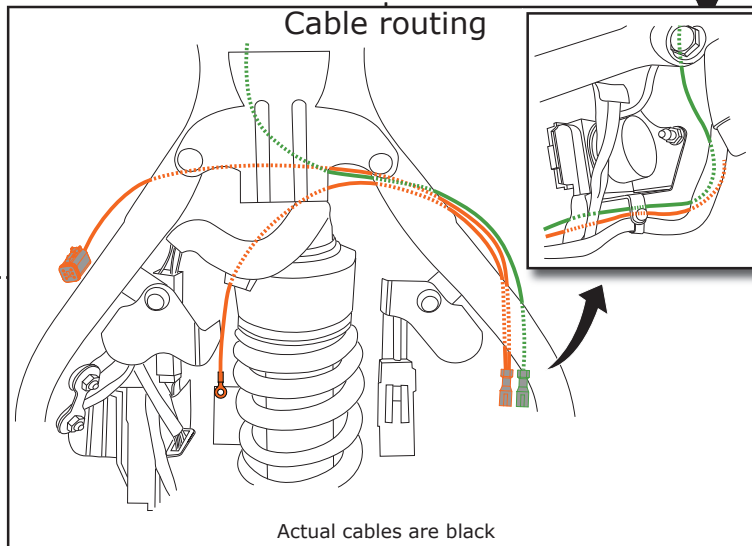
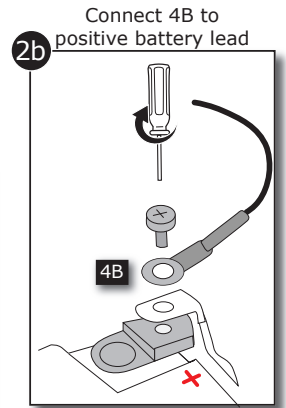
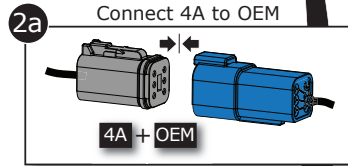
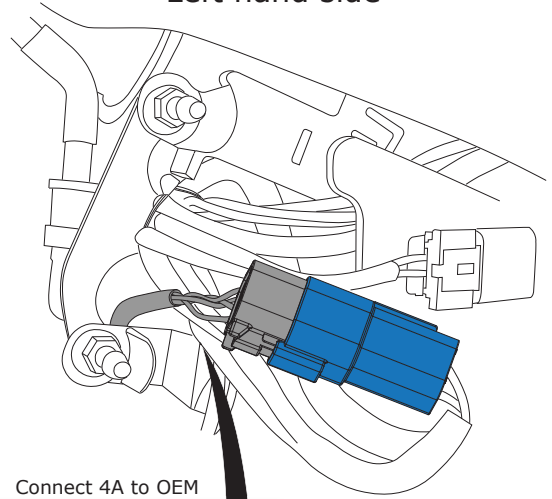
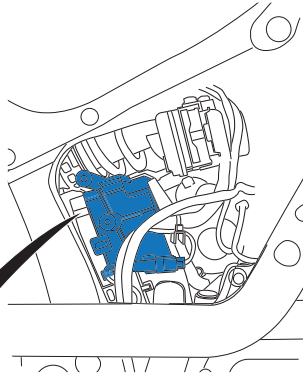
6

Right hand side

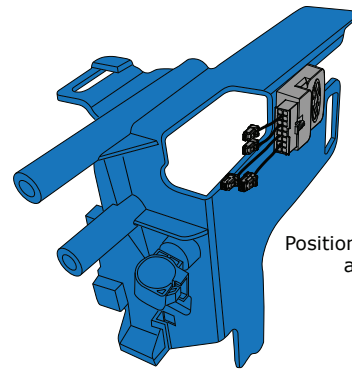
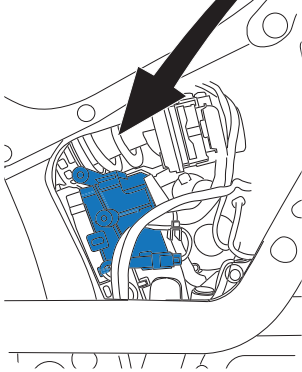
Left hand side



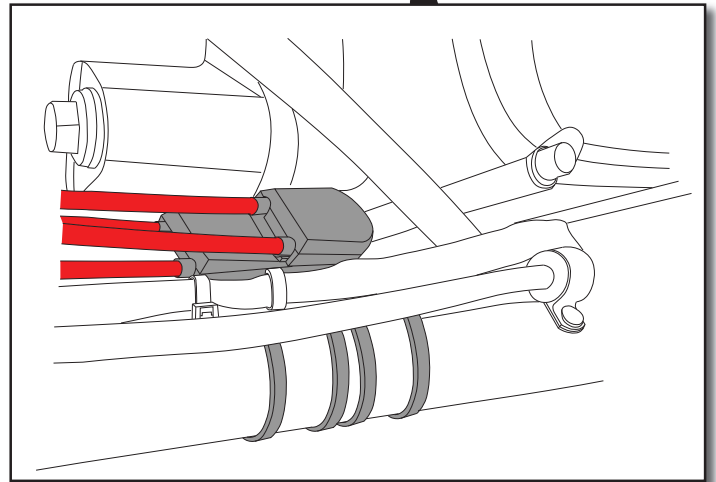
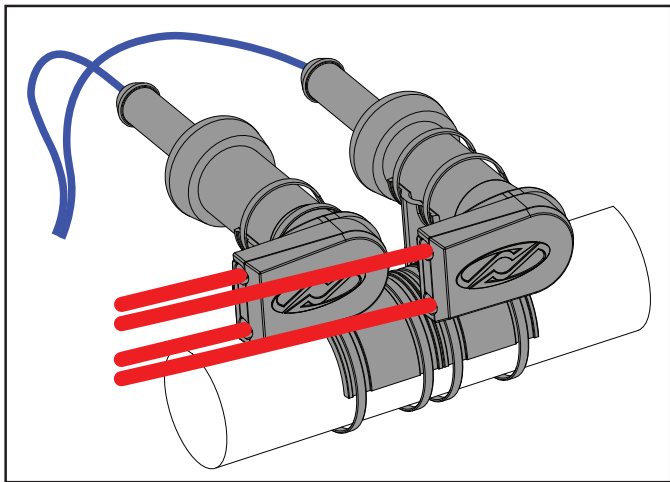
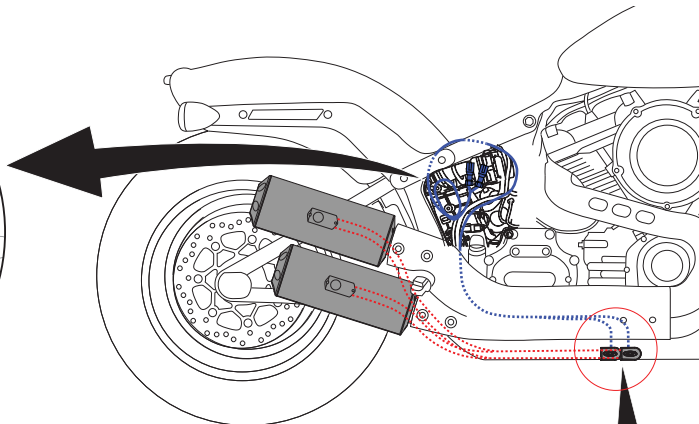
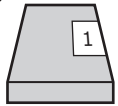
1
Remove battery cover



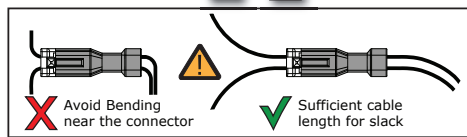
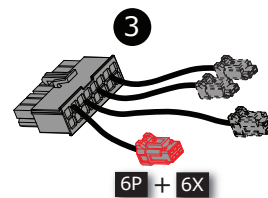
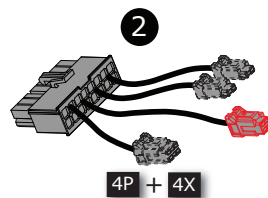
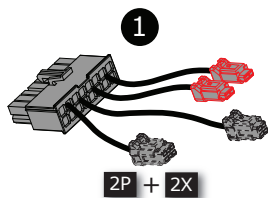
3
Reinstall battery cover



7



8



9



Reinstall fuse and perform a

Complete System Check!

