



SN.

Dr. Jekyll & Mr. Hyde[®]

THE EXHAUST

MANUAL : HARLEY-DAVIDSON[®] | EASYMOUNT | SMARTBOX 2

NEW IN THIS MANUAL:

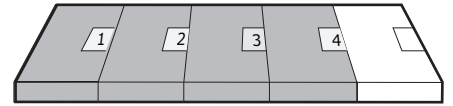
- 2018 MODEL
- JEKILL BOMB SPACERS



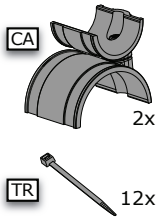
Low Rider
Slim
2018->

1

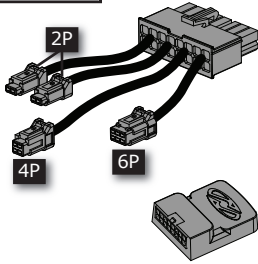
Low Rider / Slim 2018-> Easymount Smartbox 2



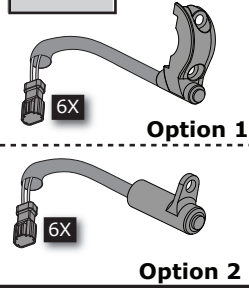
1 Assembly Kit



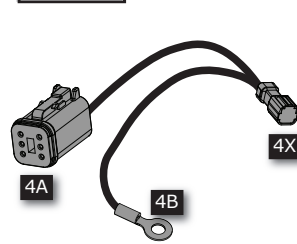
2 Smartbox 2



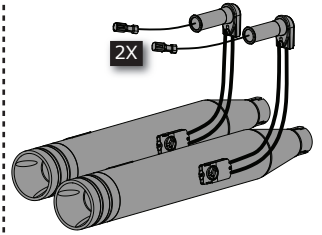
3 Mode Switch for Smartbox



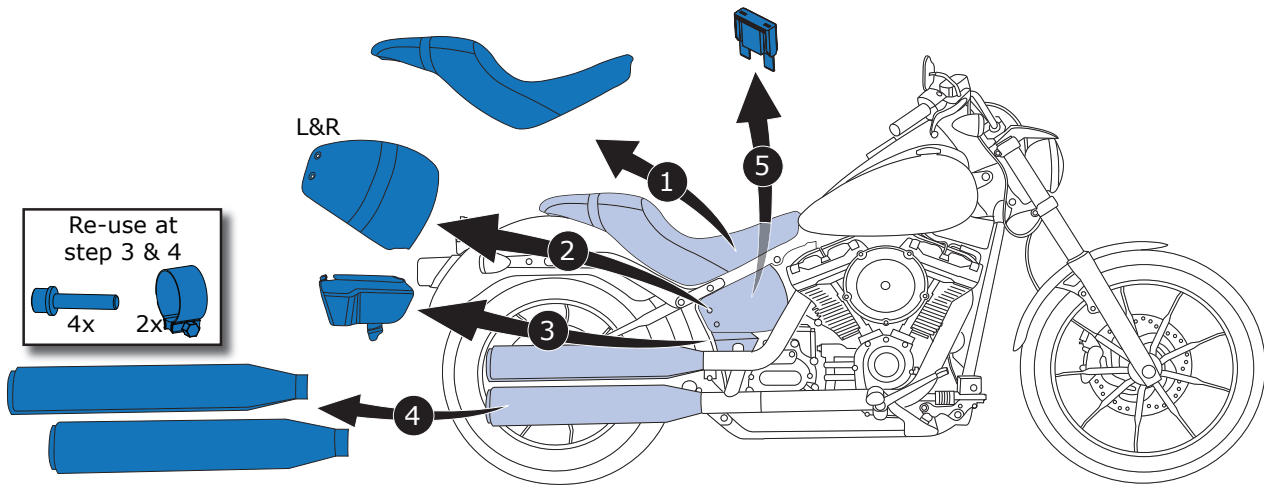
4 Smartbox Control Cable



Exhaust/Cable /Servo System

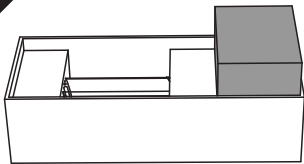


2

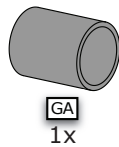


3

Upper exhaust



Items required



2 options:
- HD part nr. 65900017
- J&H part nr. GA-100000

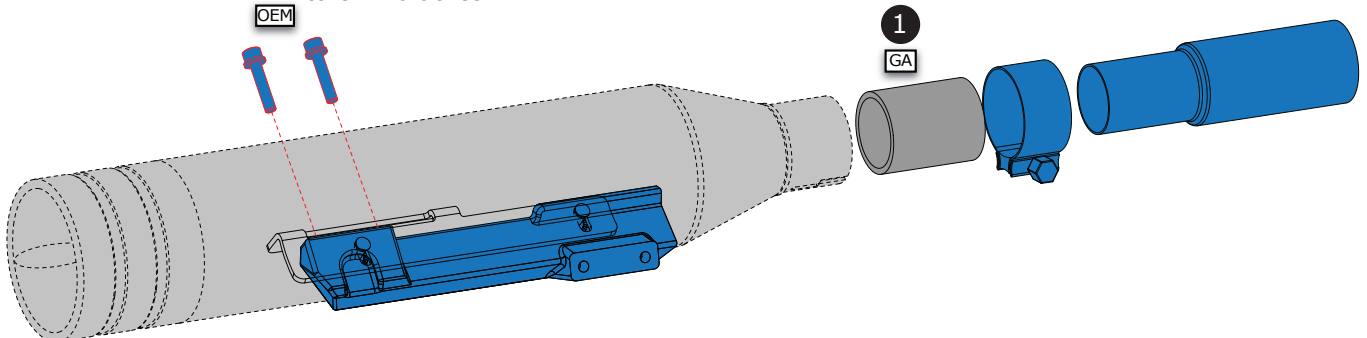


2 Attach exhaust to OEM bracket



Slide exhaust on OEM header

1 GA

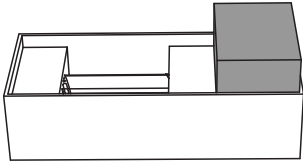


Adjust header position when installing a Jekyll Bomb exhaust system

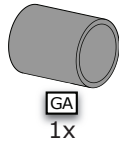
4

Lower exhaust

Items required when installing a Jekill Bomb exhaust system



Items required



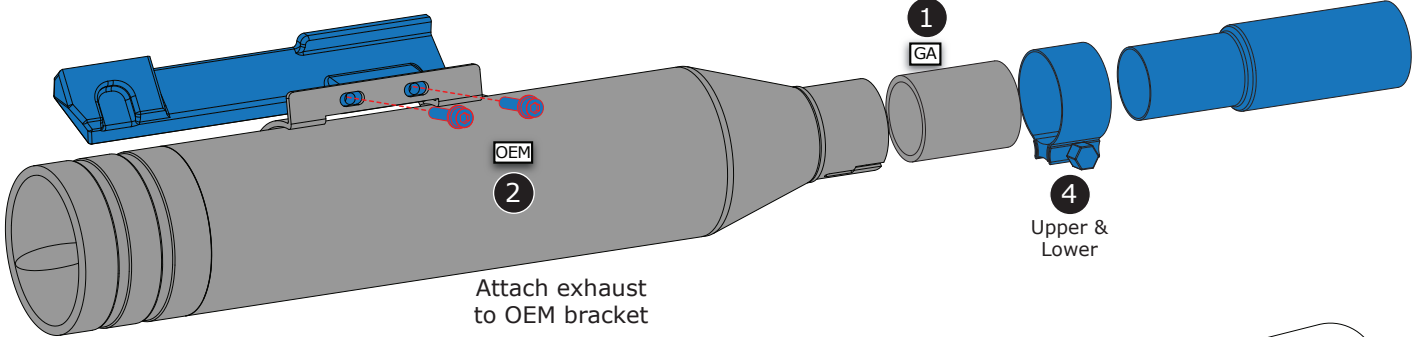
GA
1x

2 options:
- HD part nr. 65900017
- J&H part nr. GA-100000



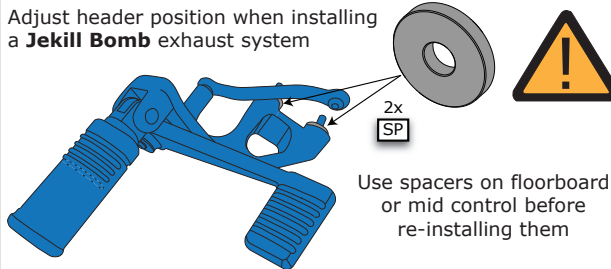
SP
2x

Slide exhaust on OEM header

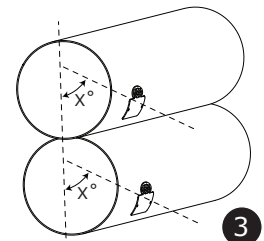
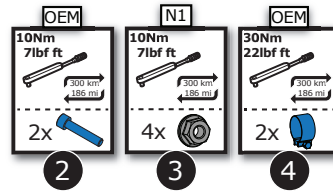


Attach exhaust to OEM bracket

Adjust header position when installing a Jekill Bomb exhaust system

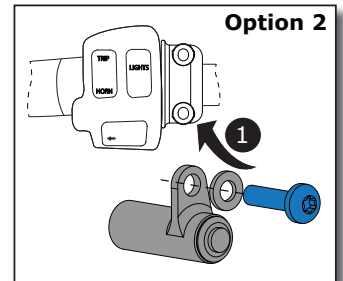
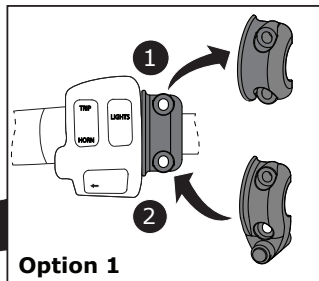
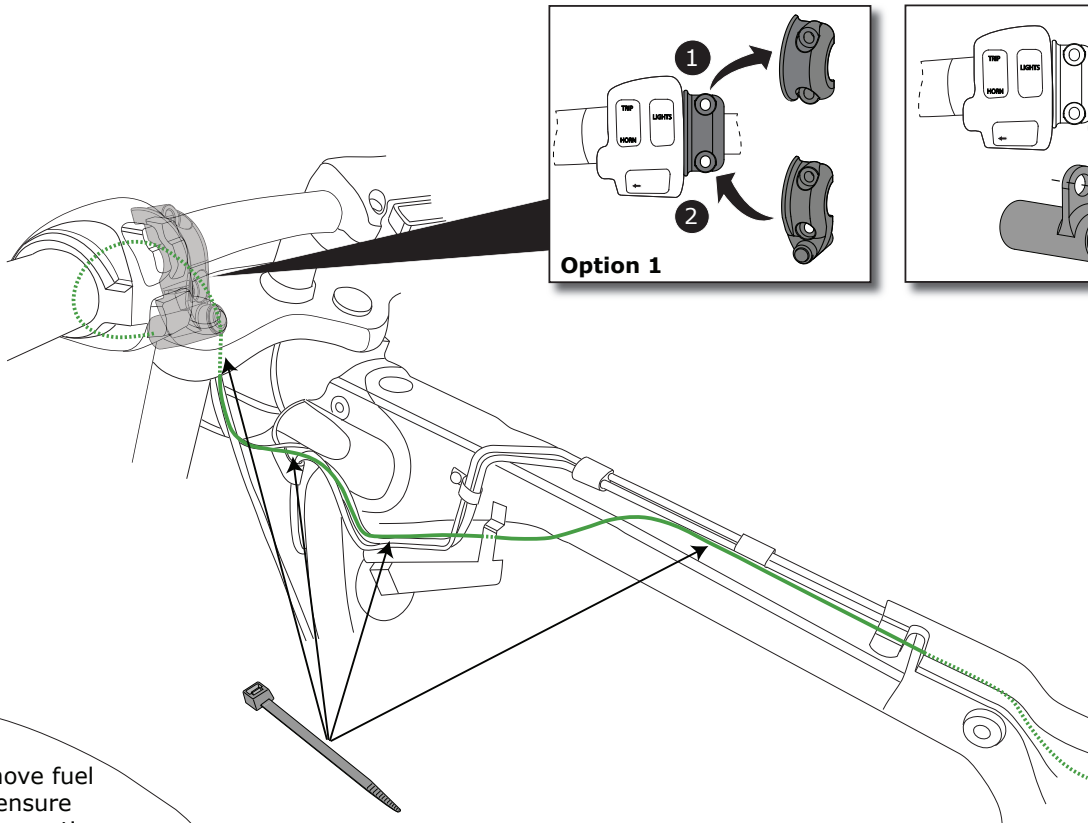
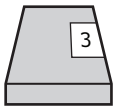


Use spacers on floorboard or mid control before re-installing them



Position typeshields at the same angle (X°)

5

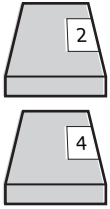


Lift or remove fuel tank to ensure proper cable routing

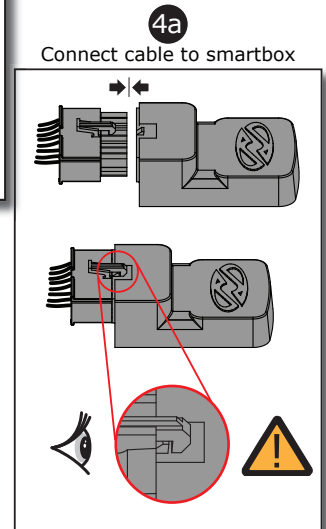
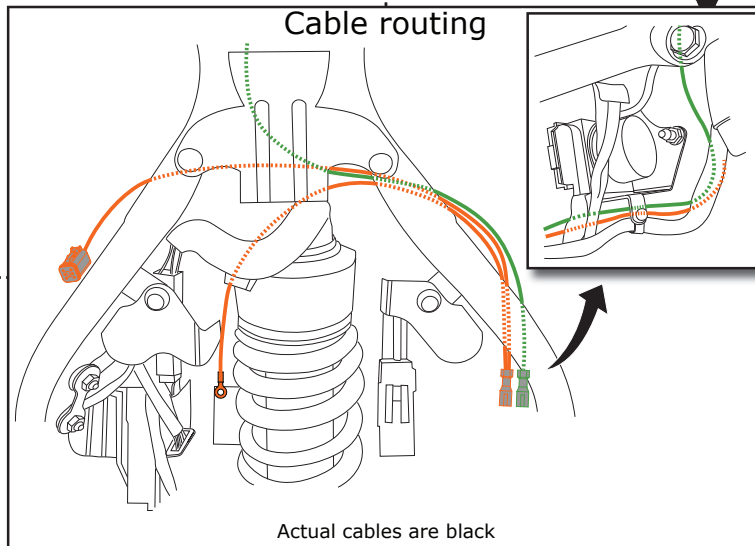
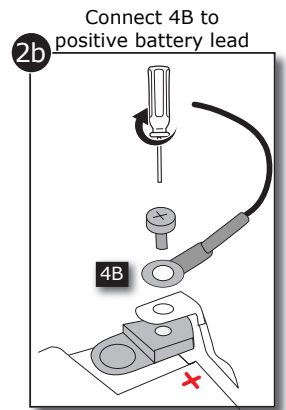
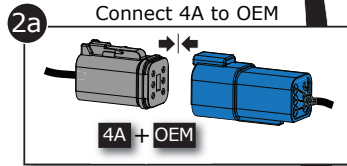
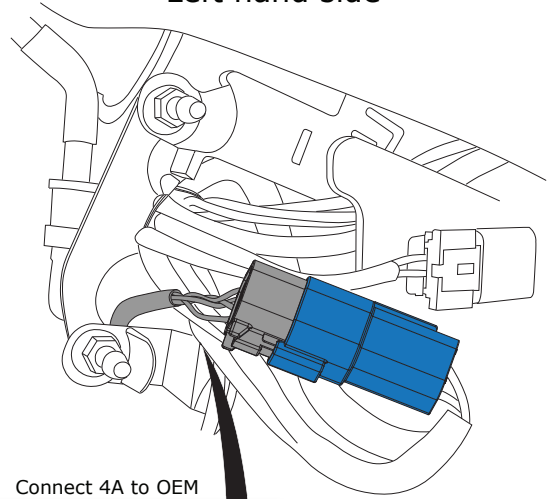
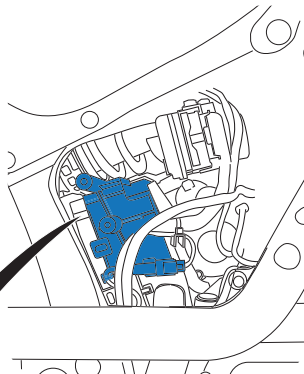
6

Right hand side

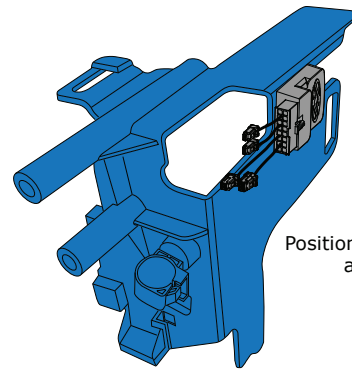
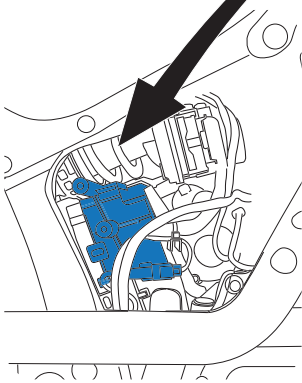
Left hand side



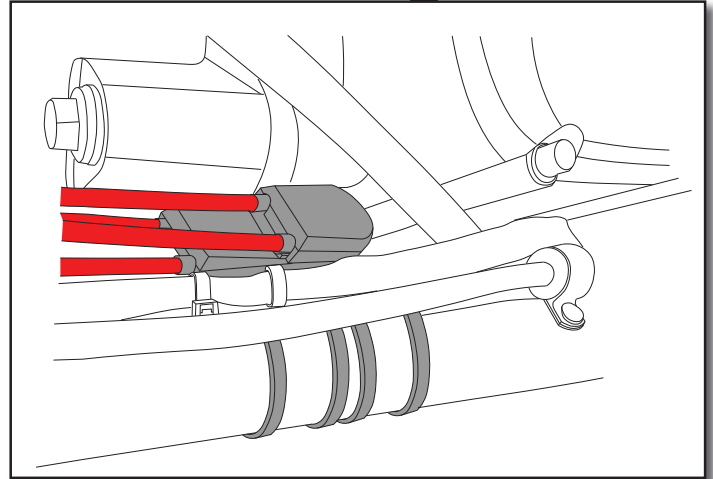
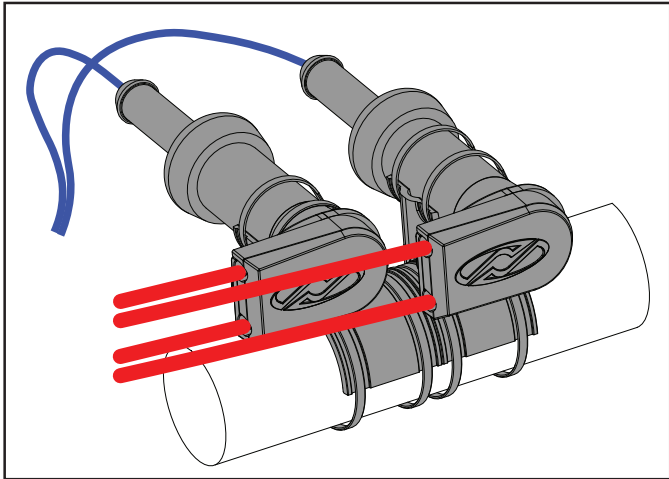
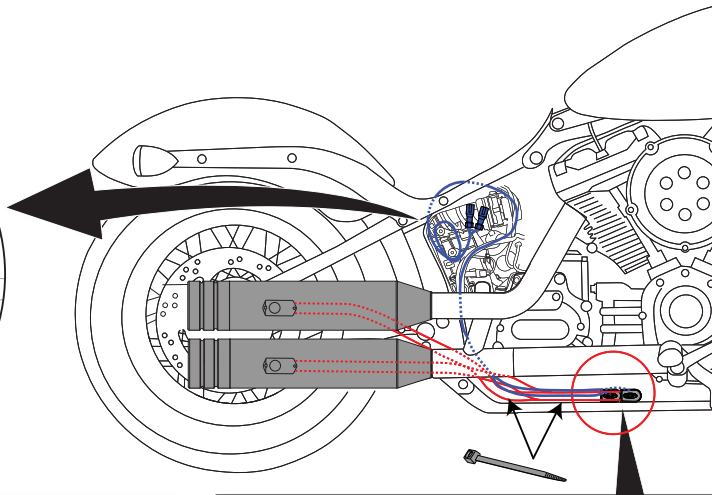
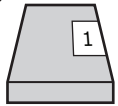
1 Remove battery cover



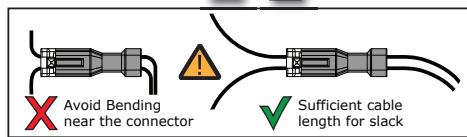
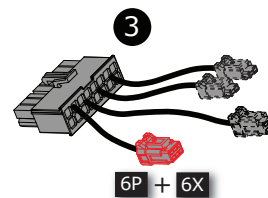
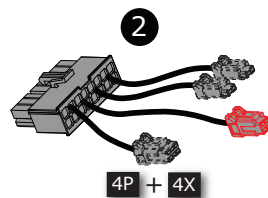
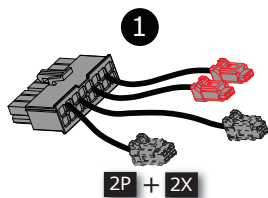
3 Reinstall battery cover



7



8



9



Reinstall fuse and perform a

Complete System Check!

