



SN.

Dr. Jekyll & Mr. Hyde[®]

THE EXHAUST

MANUAL : HARLEY-DAVIDSON[®] | EASYMOUNT | SMARTBOX 2

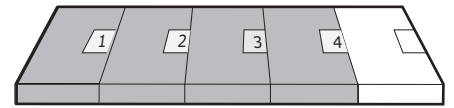
**NEW IN THIS MANUAL:
- 2018 MODEL**



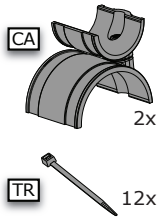
Breakout
Fat Boy
2018->

1

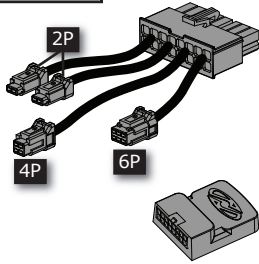
Breakout 2018-> Easymount Smartbox 2



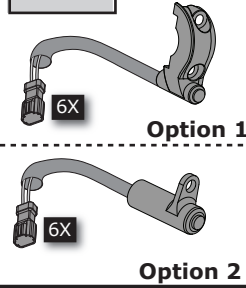
1 Assembly Kit



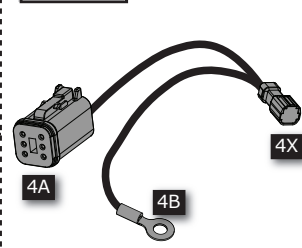
2 Smartbox 2



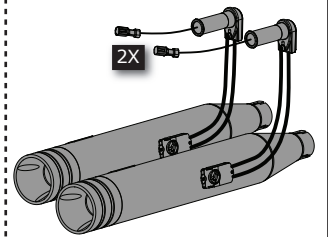
3 Mode Switch for Smartbox



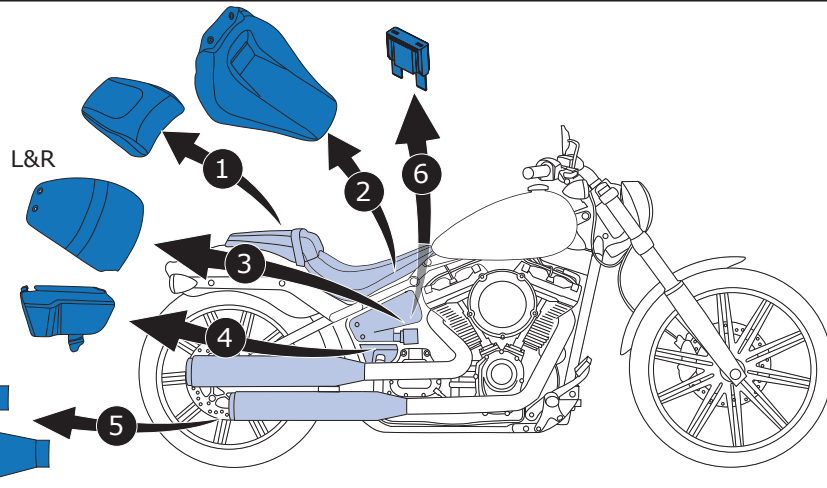
4 Smartbox Control Cable



Exhaust/Cable /Servo System



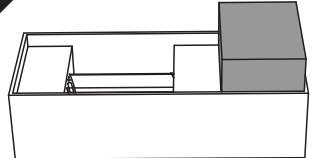
2



Re-use at step 3 & 4
4x 2x

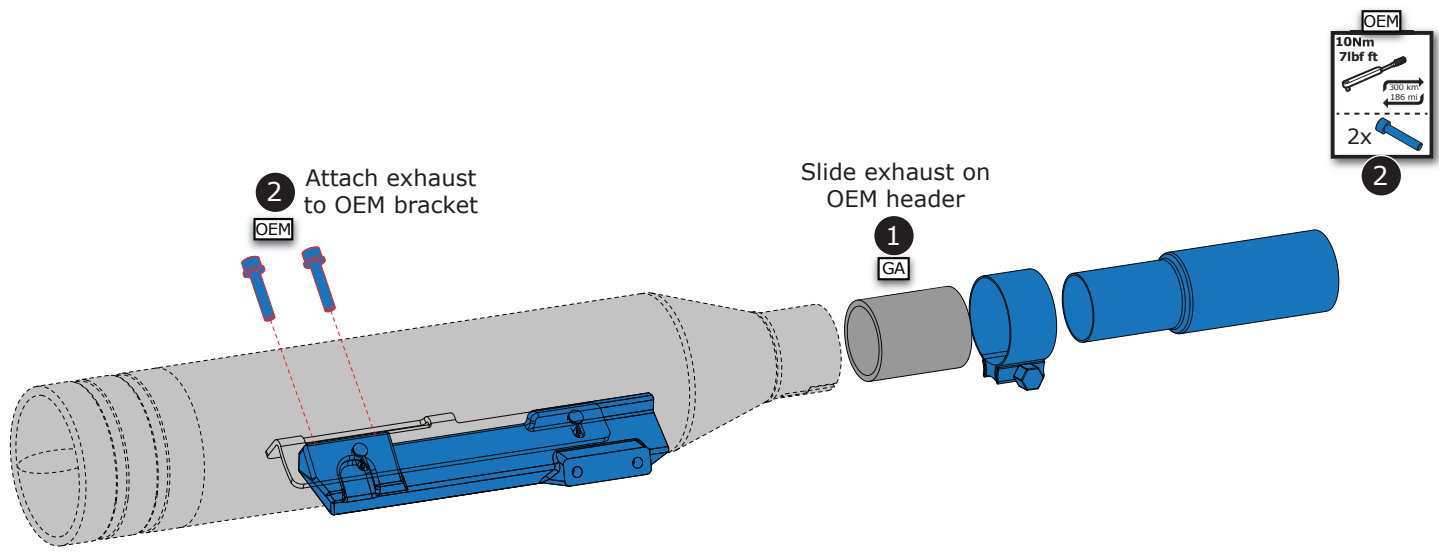
3

Upper exhaust



Items required

2 options:
- HD part nr. 65900017
- J&H part nr. GA-100000
GA 1x



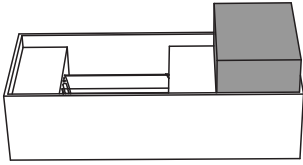
2 Attach exhaust to OEM bracket

Slide exhaust on OEM header

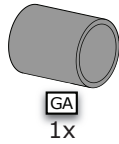
OEM
10Nm
7lbf ft
2x

4

Lower exhaust



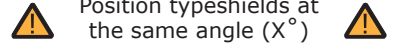
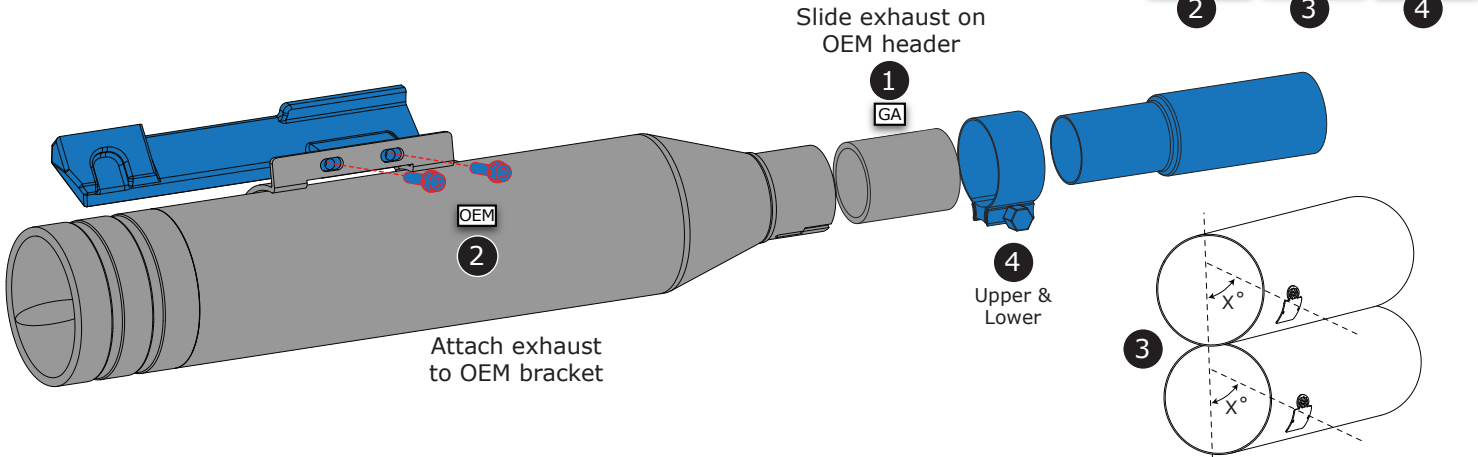
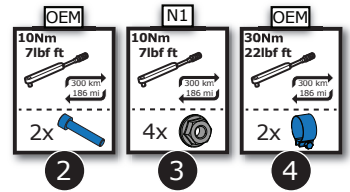
Items required



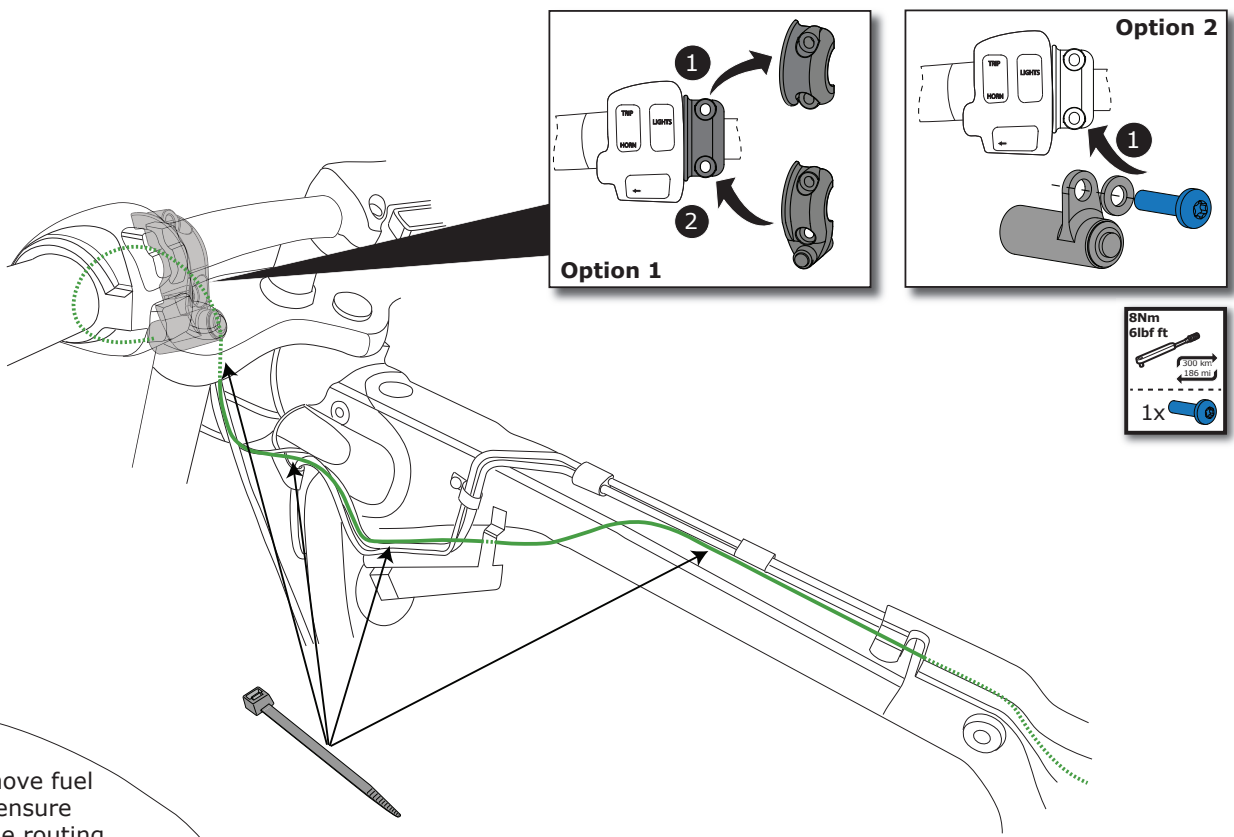
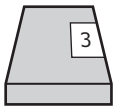
GA
1x

2 options:

- HD part nr. 65900017
- J&H part nr. GA-100000



5

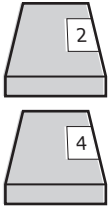


Lift or remove fuel tank to ensure proper cable routing

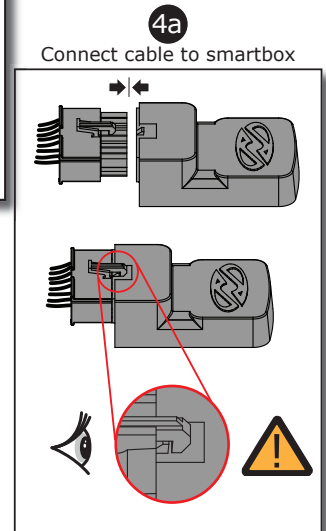
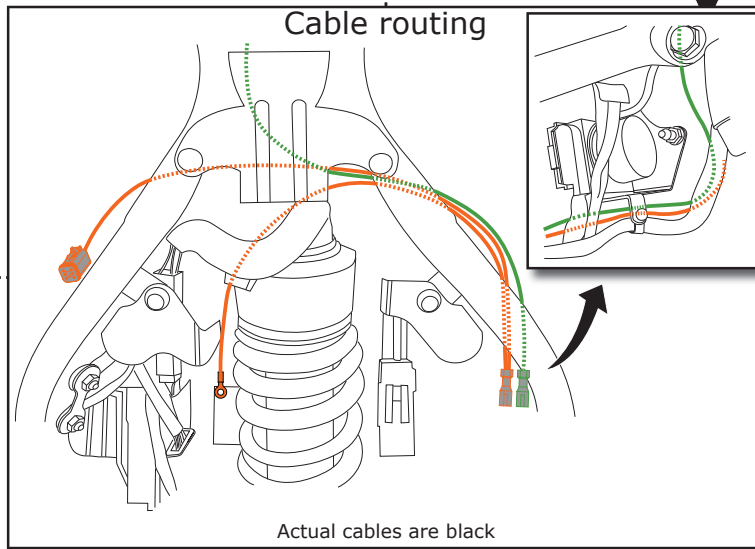
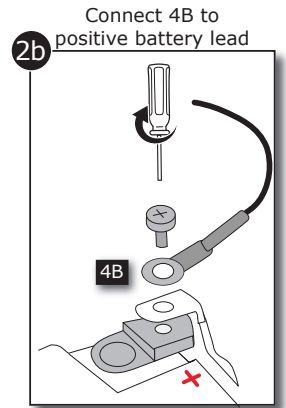
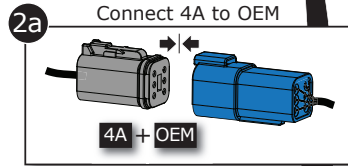
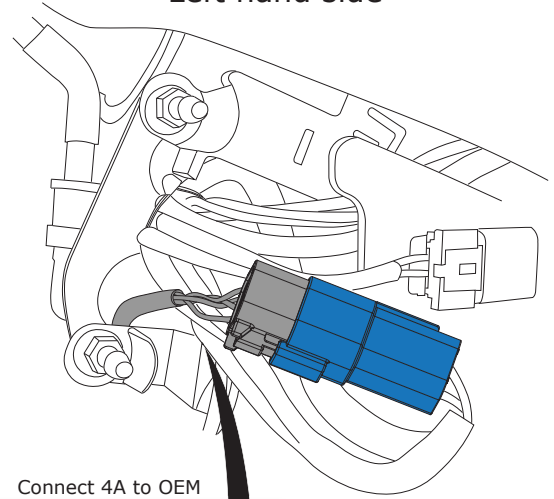
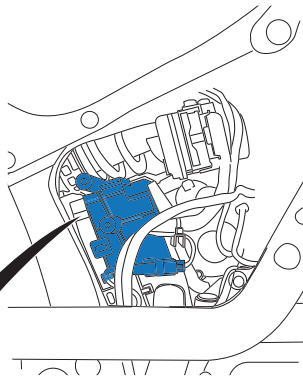
6

Right hand side

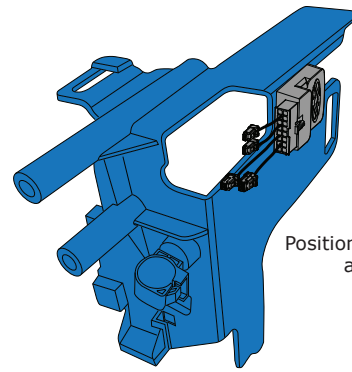
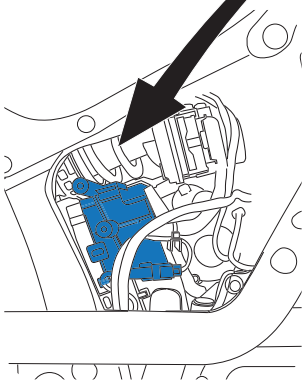
Left hand side



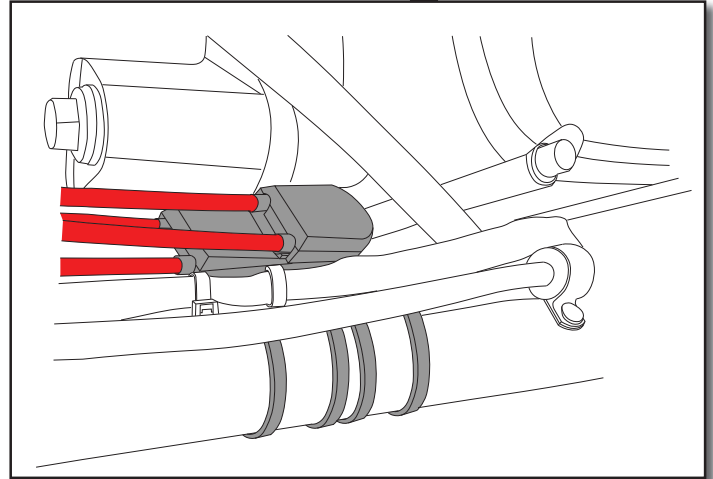
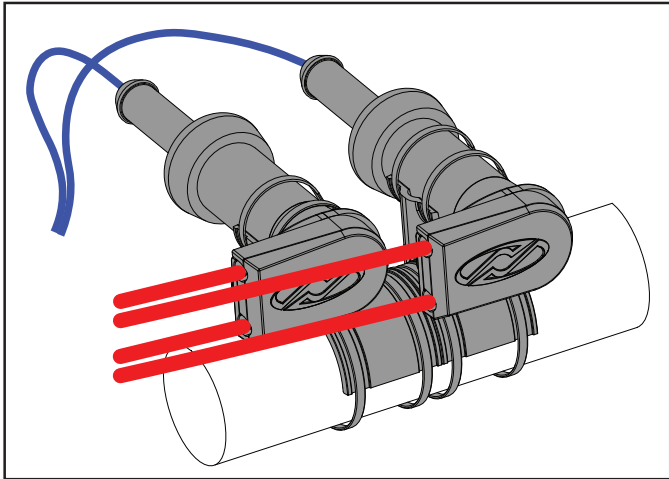
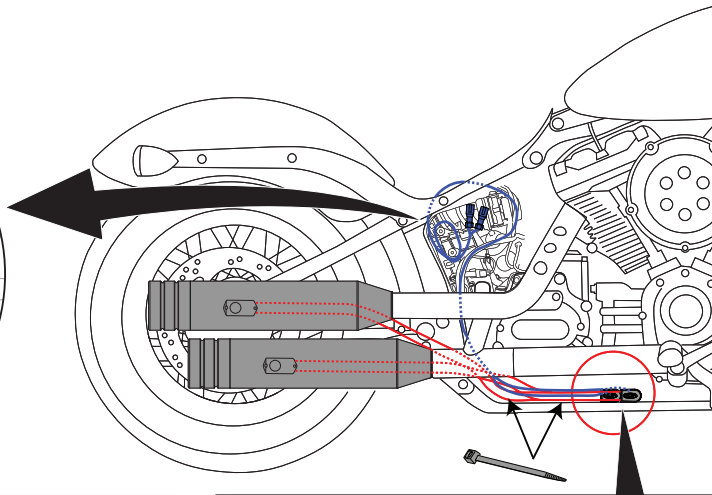
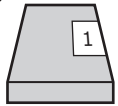
1
Remove battery cover



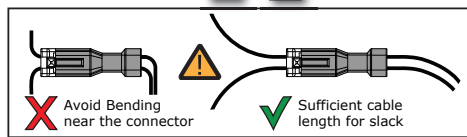
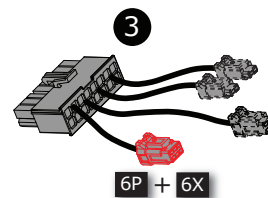
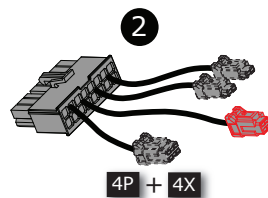
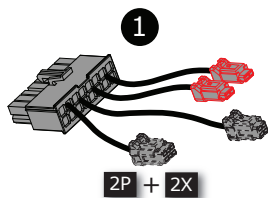
3
Reinstall battery cover



7



8



9



Reinstall fuse and perform a

Complete System Check!

