



SN. . . . .

# Dr. Jekyll & Mr. Hyde®

## THE EXHAUST

MANUAL : HARLEY-DAVIDSON® | EASYMOUNT | SMARTBOX 2

**NEW IN THIS MANUAL:  
- 2018 MODEL**

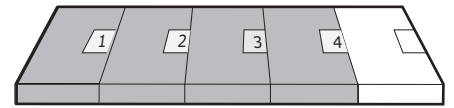


Deluxe  
Heritage Classic  
2018->

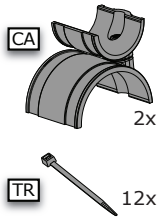
1

# Deluxe / Heritage Classic 2018->

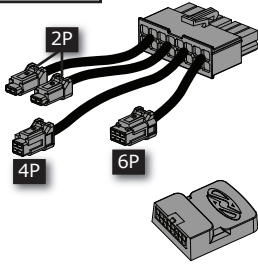
## Easymount Smartbox 2



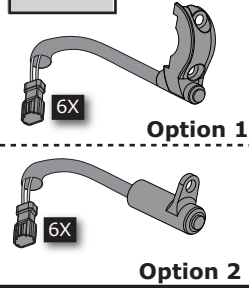
**1** Assembly Kit



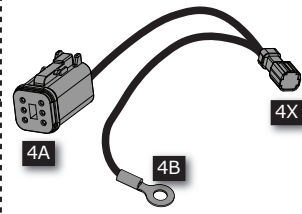
**2** Smartbox 2



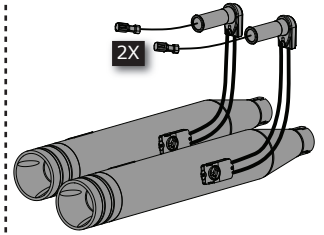
**3** Mode Switch for Smartbox



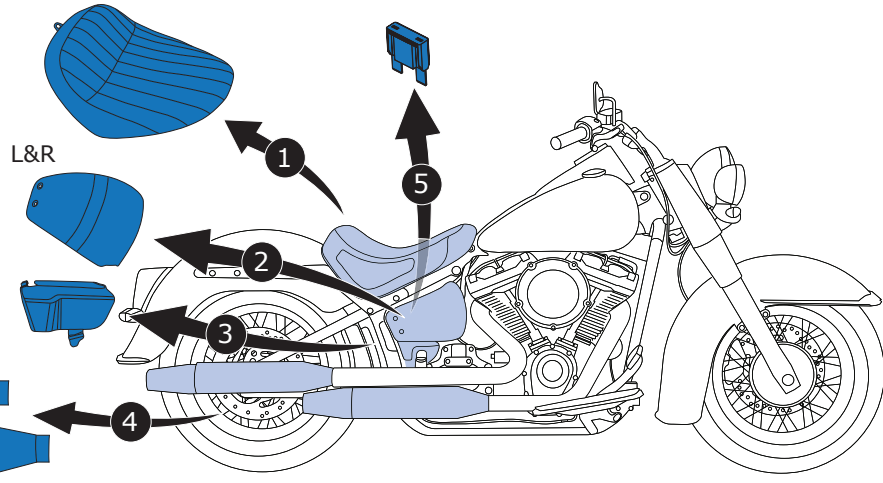
**4** Smartbox Control Cable



Exhaust/Cable /Servo System



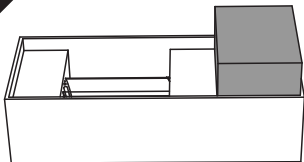
2



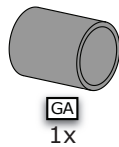
Re-use at step 3 & 4  
4x [screw] 2x [nut]

3

### Upper exhaust



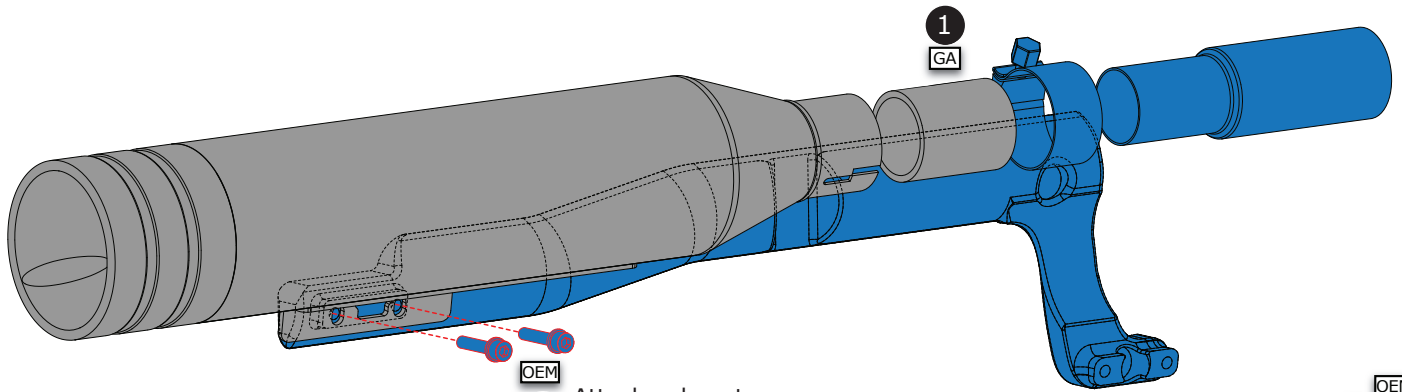
Items required



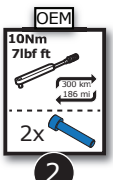
2 options:  
- HD part nr. 65900017  
- J&H part nr. GA-100000

GA  
1x

Slide exhaust on OEM header

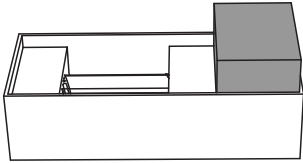


**2** Attach exhaust to OEM bracket

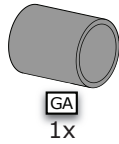


4

### Lower exhaust

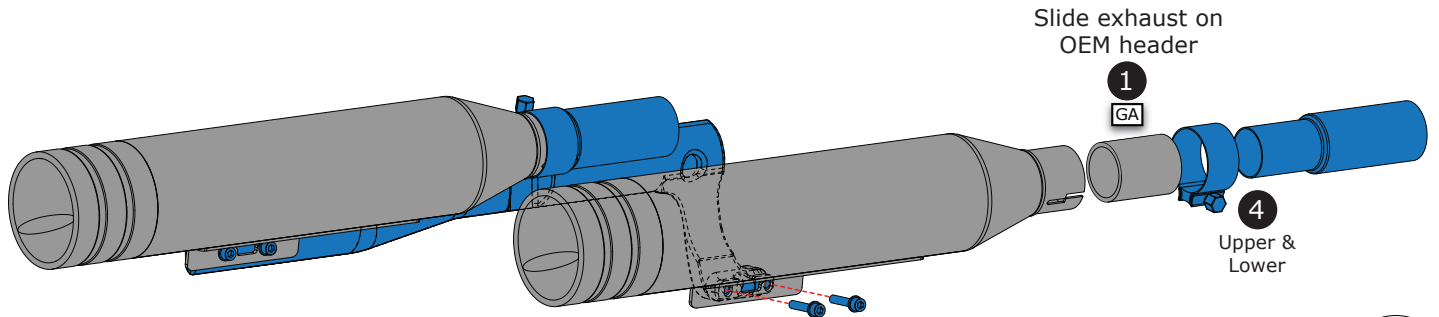


Items required



2 options:

- HD part nr. 65900017
- J&H part nr. GA-100000



Slide exhaust on OEM header

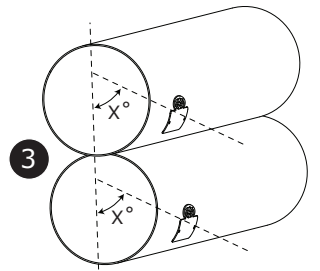
1  
GA

4  
Upper & Lower

OEM

2

Attach exhaust to OEM bracket

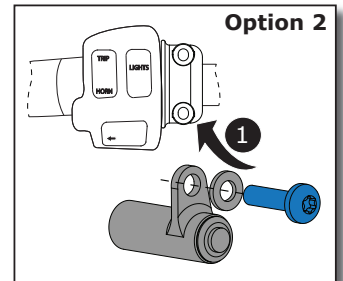
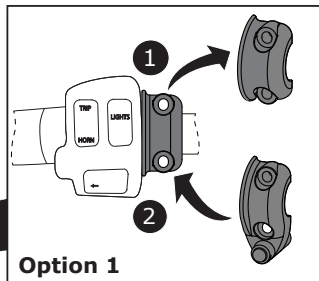
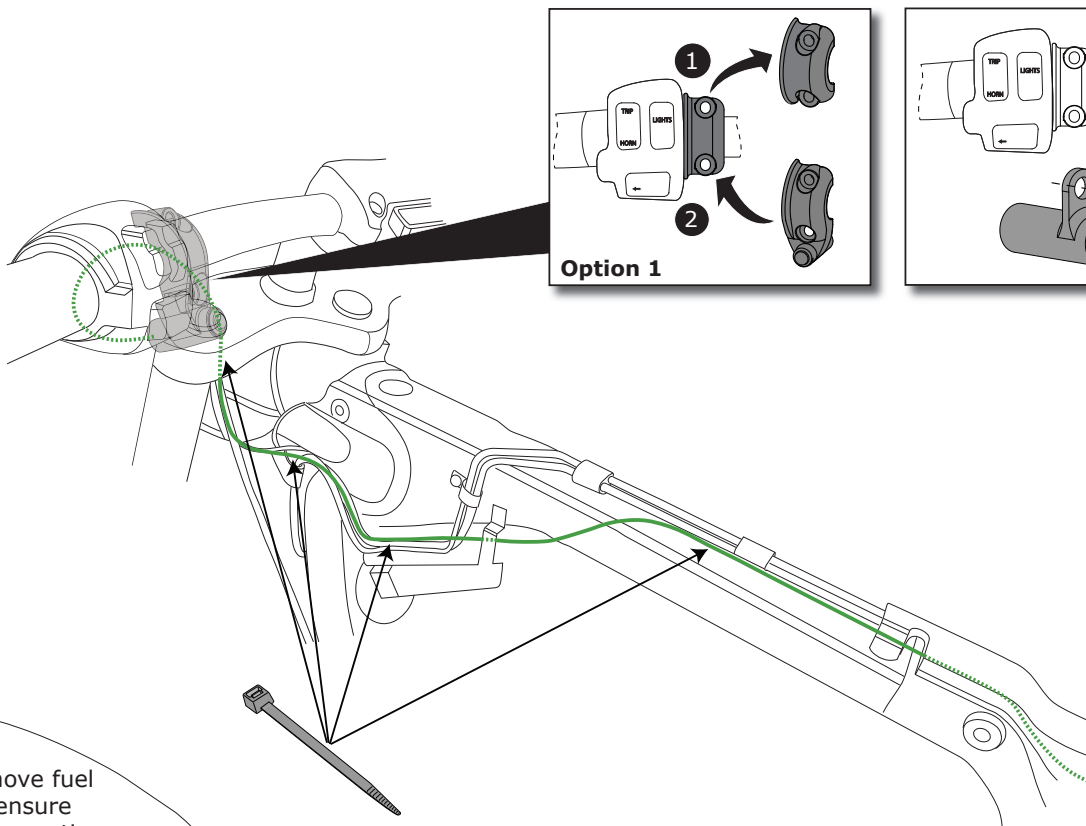
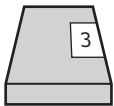


3

⚠ Position typeshields at the same angle (X°) ⚠

OEM	N1	OEM
10Nm 7lbf ft	10Nm 7lbf ft	30Nm 22lbf ft
2x	4x	2x
2	3	4

5



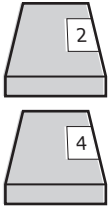
8Nm 6lbf ft
1x

Lift or remove fuel tank to ensure proper cable routing

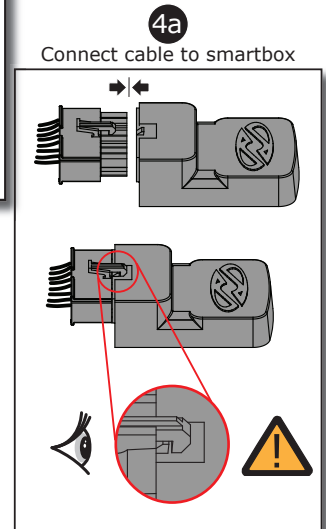
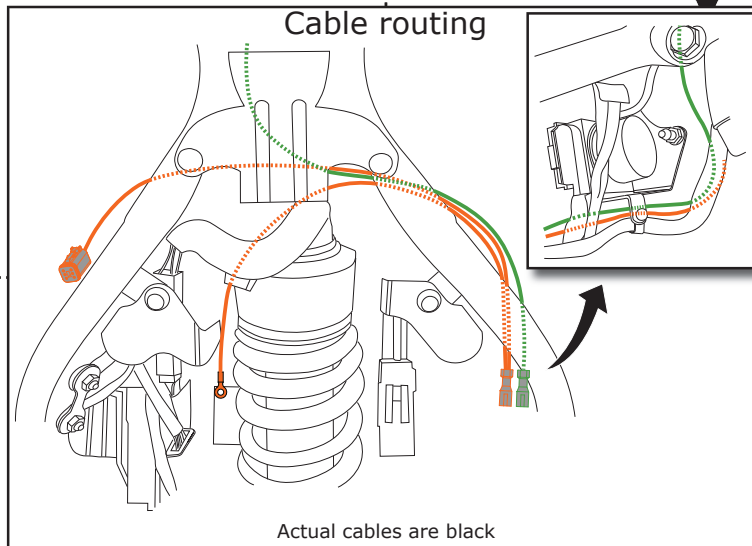
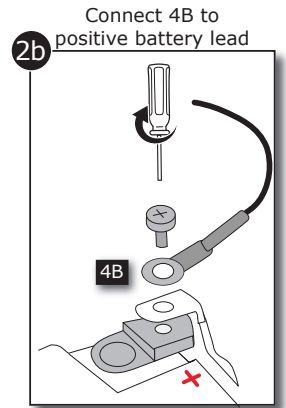
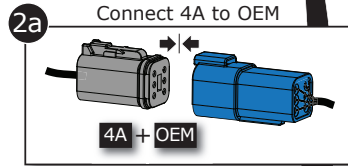
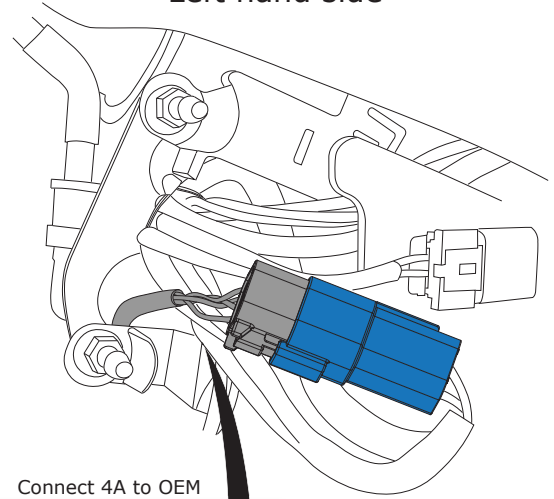
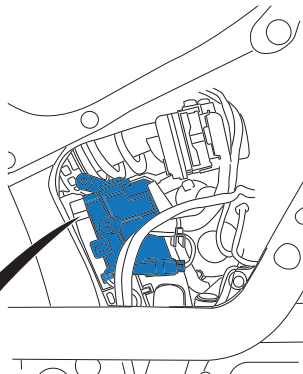
6

Right hand side

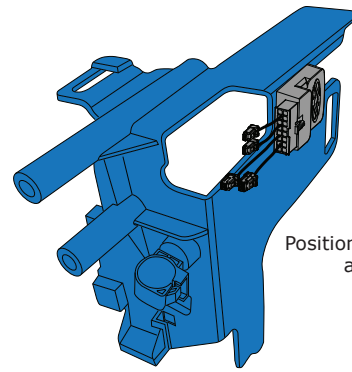
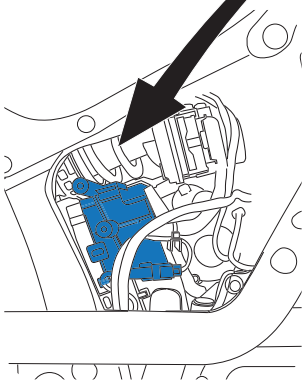
Left hand side



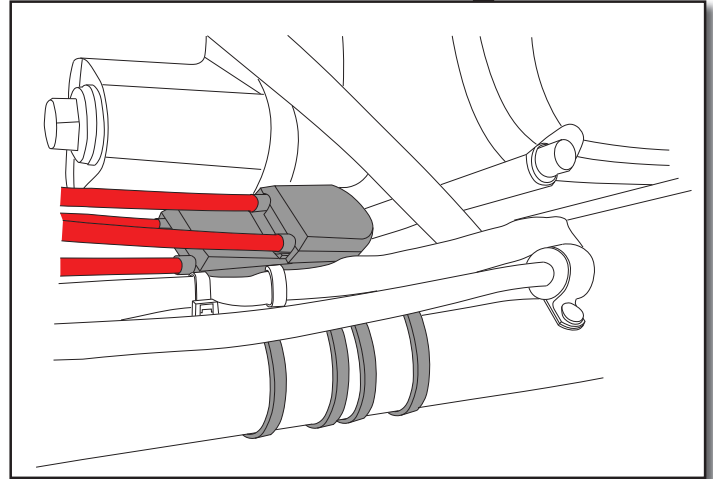
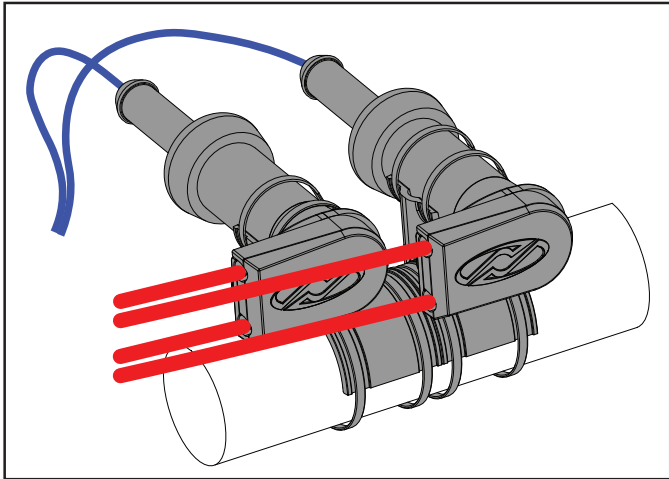
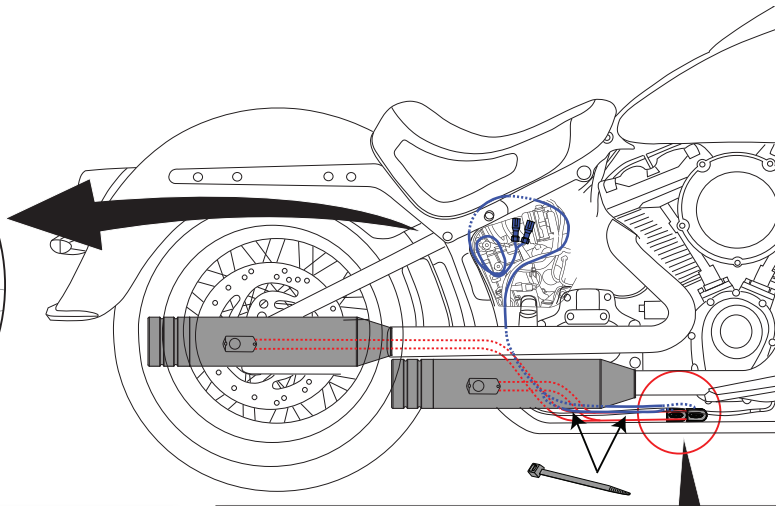
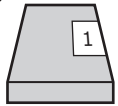
1  
Remove battery cover



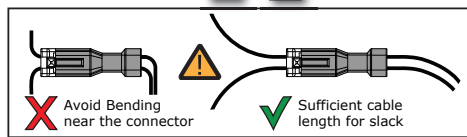
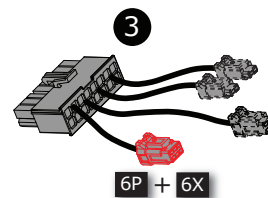
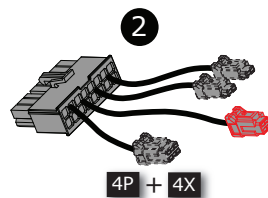
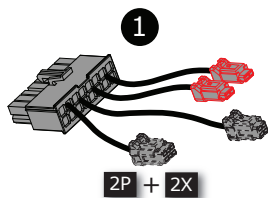
3  
Reinstall battery cover



7



8



9



Reinstall fuse and perform a

**Complete System Check!**

