



SN.

Dr. Jekyll & Mr. Hyde[®]

THE EXHAUST

MANUAL : HARLEY-DAVIDSON[®] | EASYMOUNT | SMARTBOX 2

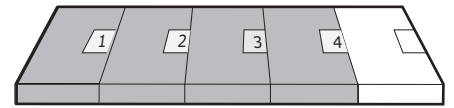
**NEW IN THIS MANUAL:
- 2018 MODEL**



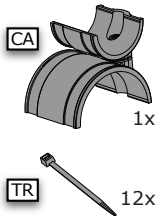
**Sport Glide
2018->**

1

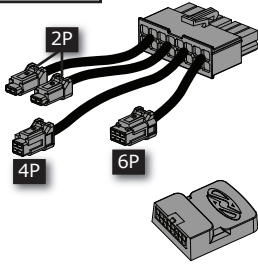
Sport Glide 2018-> Easymount Smartbox 2



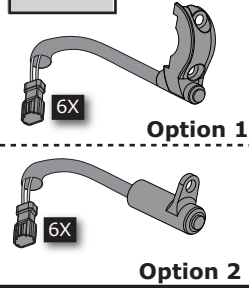
1 Assembly Kit



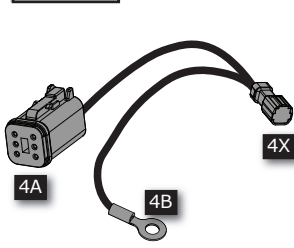
2 Smartbox 2



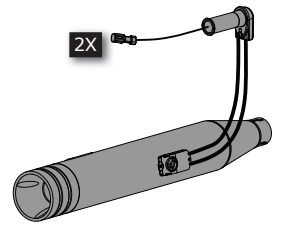
3 Mode Switch for Smartbox



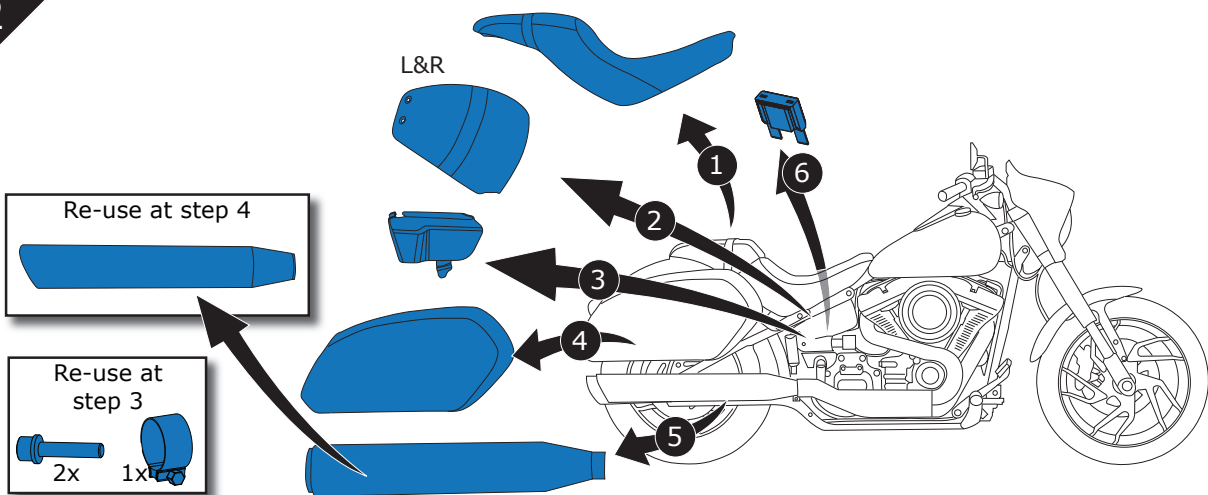
4 Smartbox Control Cable



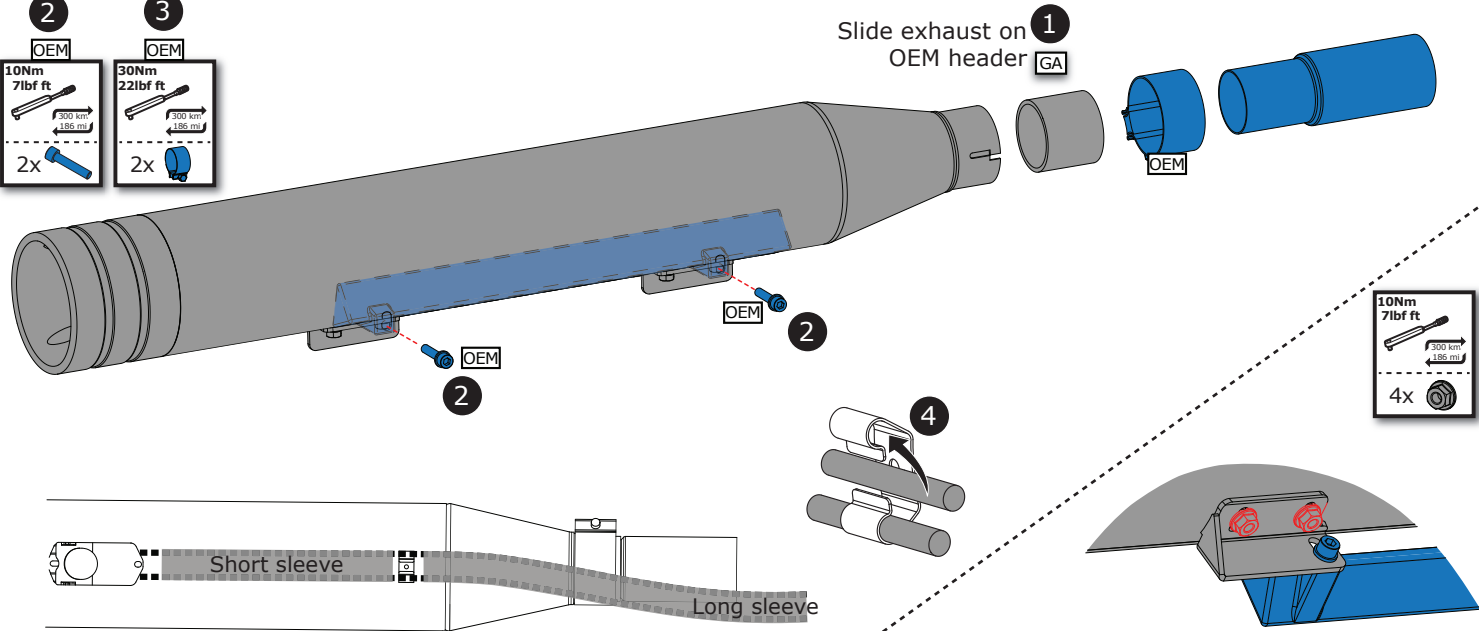
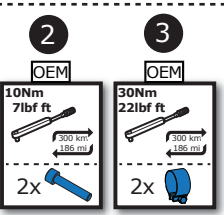
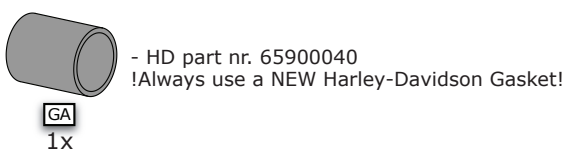
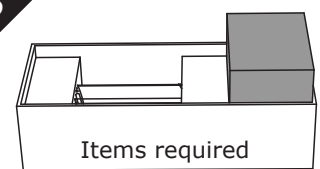
Exhaust/Cable /Servo System



2



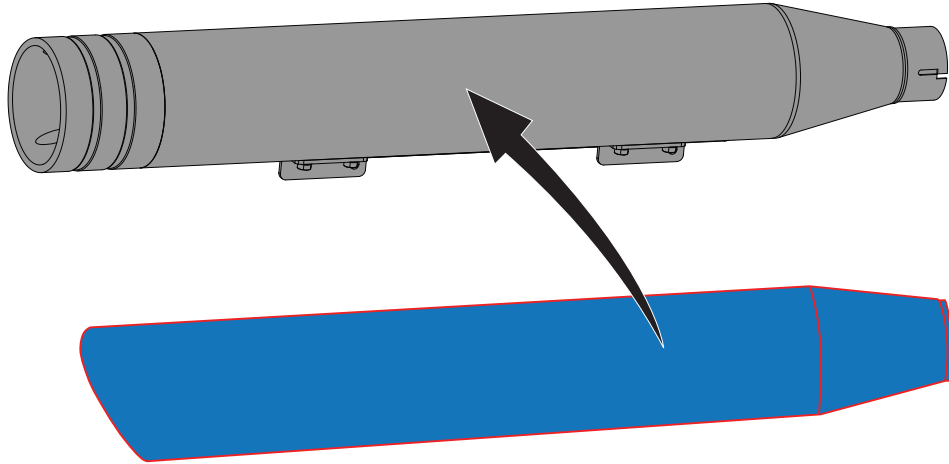
3



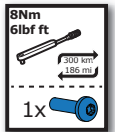
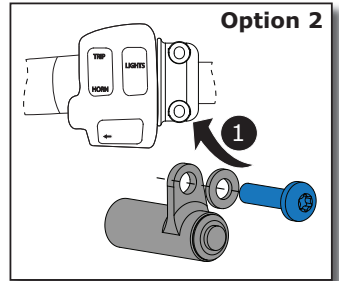
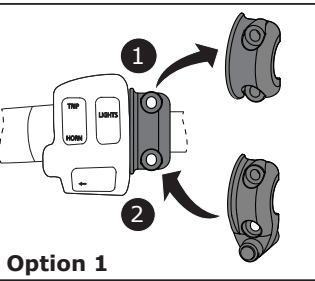
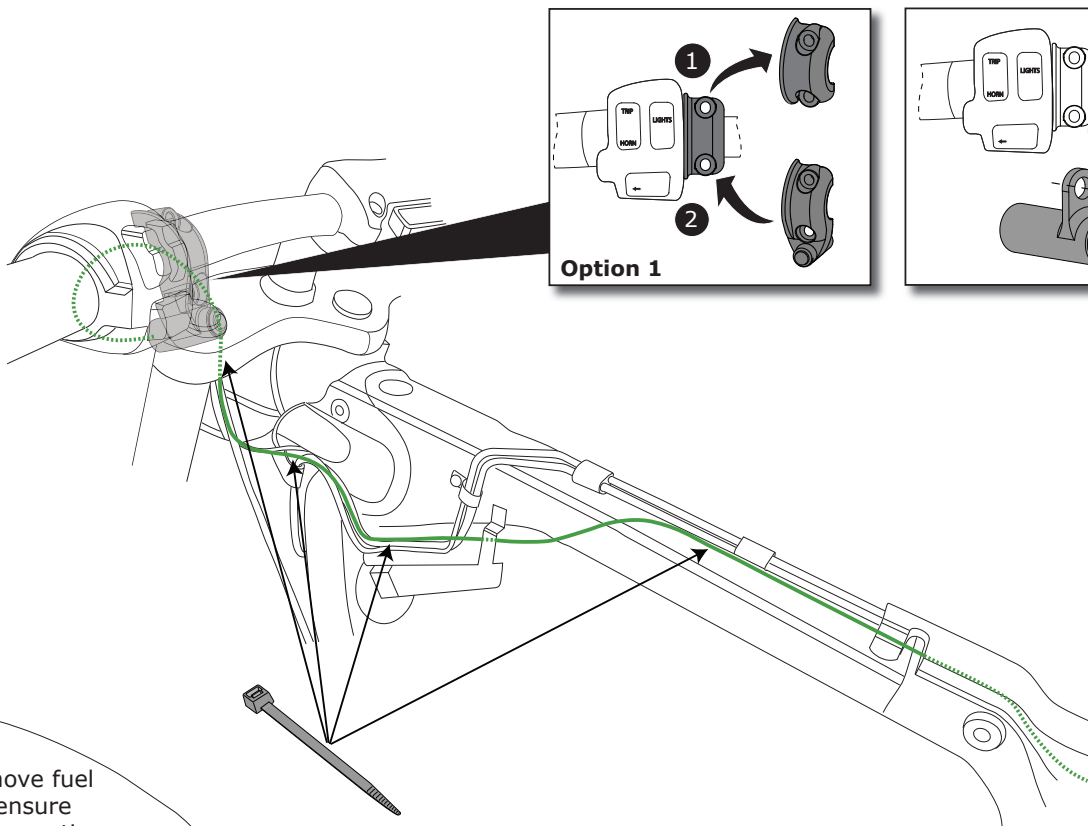
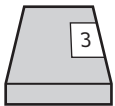
4



For safety reasons:
Always reinstall OEM heat shield



5

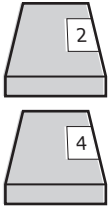


Lift or remove fuel tank to ensure proper cable routing

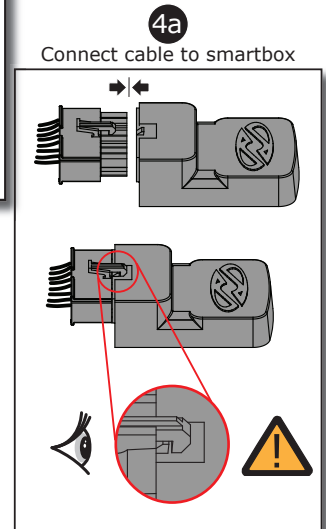
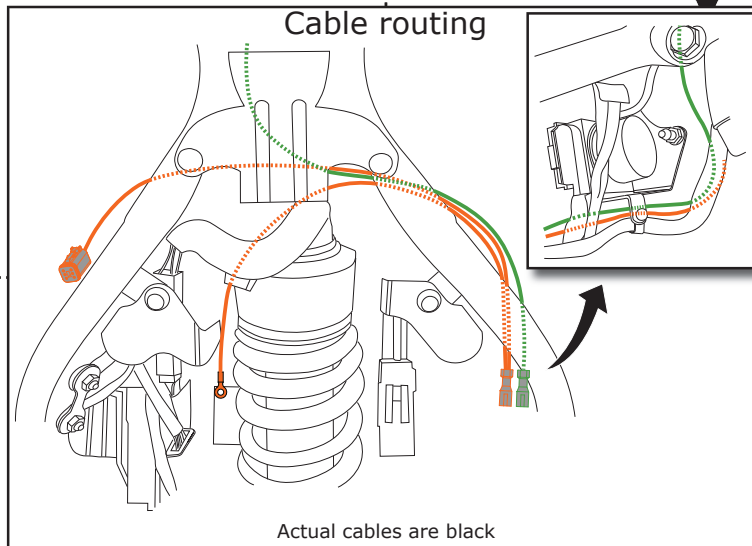
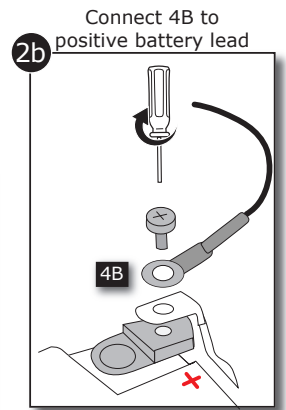
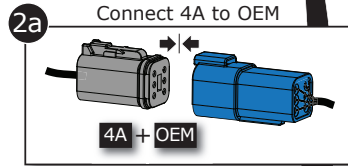
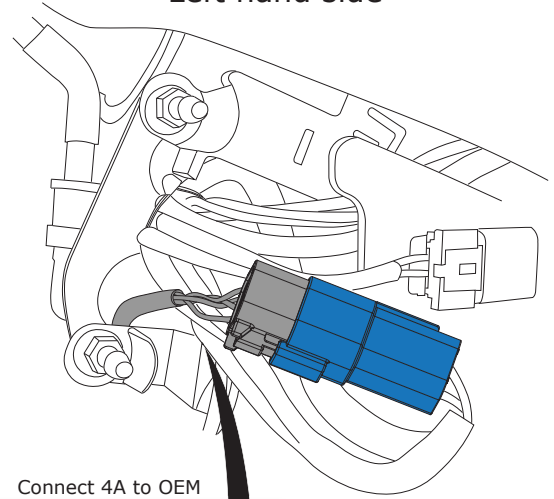
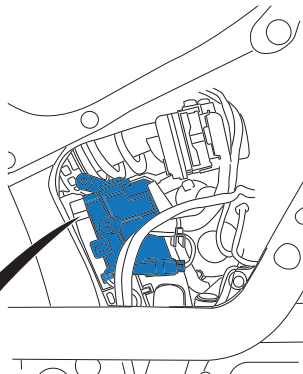
6

Right hand side

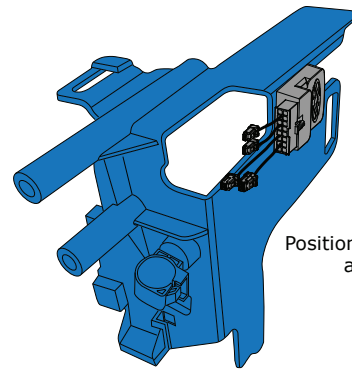
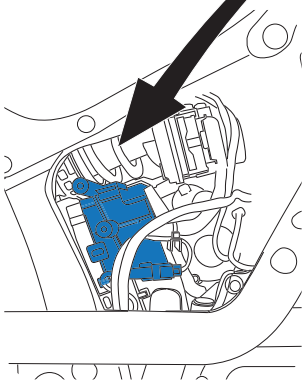
Left hand side



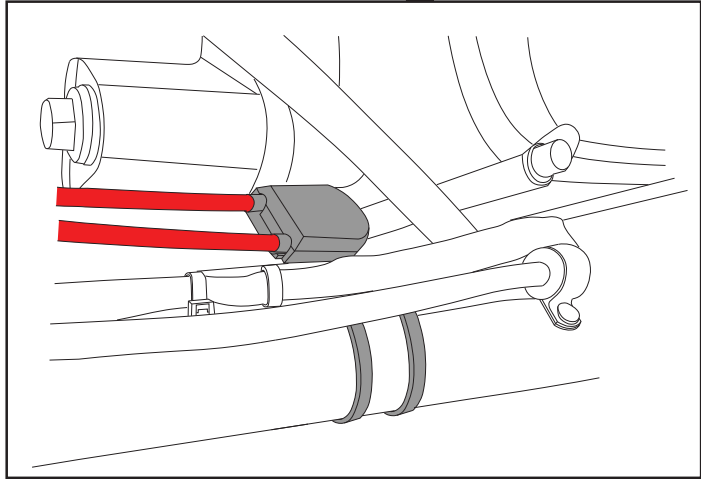
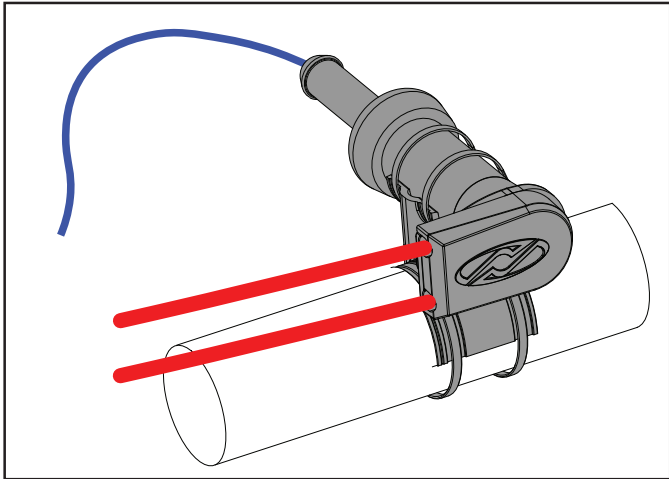
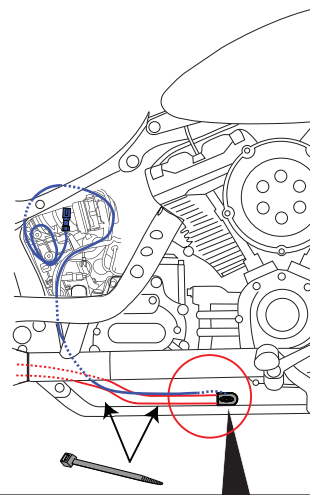
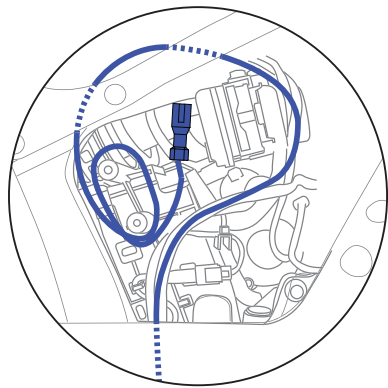
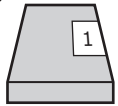
1
Remove battery cover



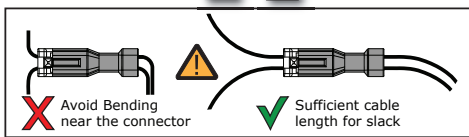
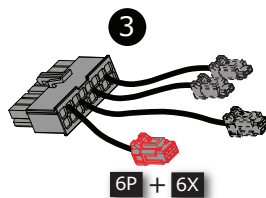
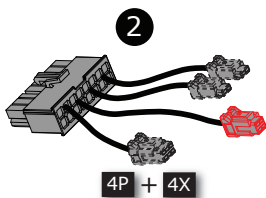
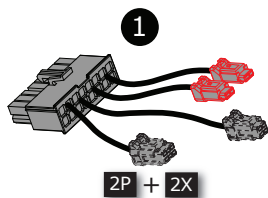
3
Reinstall battery cover



7



8



9



Reinstall fuse and perform a

Complete System Check!

