



SN.

Dr. Jekyll & Mr. Hyde®

THE EXHAUST

MANUAL : HARLEY-DAVIDSON® | EASYMOUNT | SMARTBOX 2

**NEW IN THIS MANUAL:
- DEMON EXHAUST**

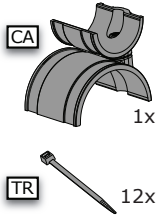


**FXDR
2019->**

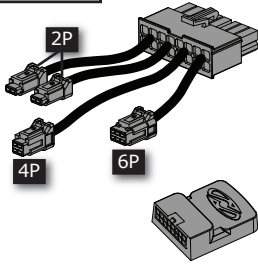
1

FXDR 2019-> Easymount Smartbox 2

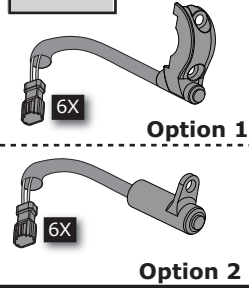
1 Assembly Kit



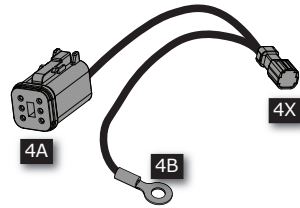
2 Smartbox 2



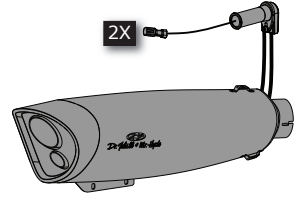
3 Mode Switch for Smartbox



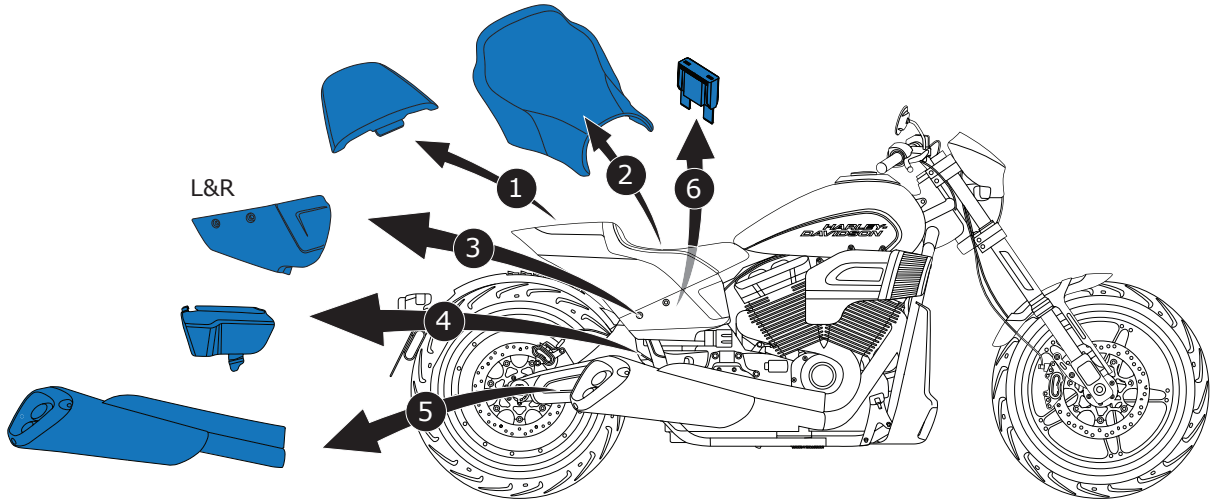
4 Smartbox Control Cable



Exhaust/Cable /Servo System

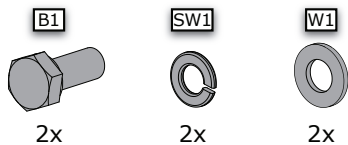
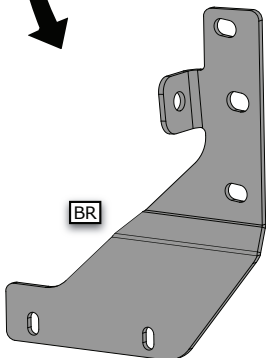


2

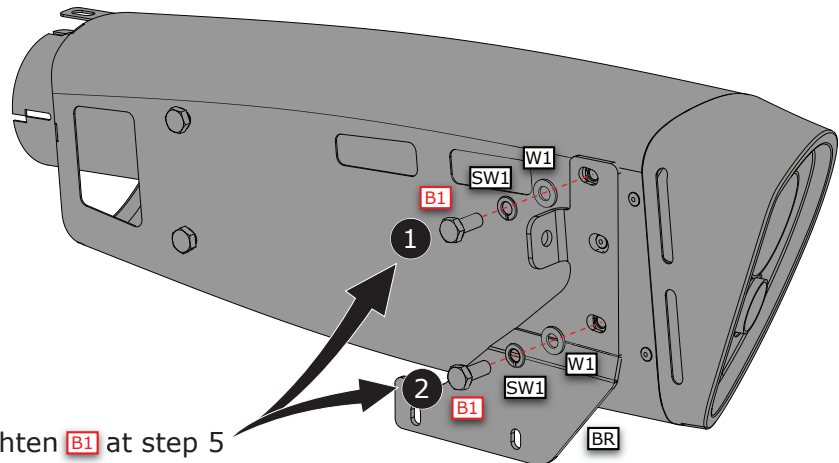
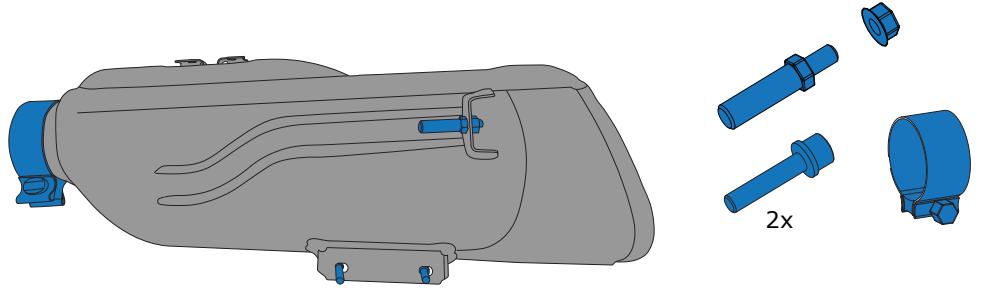


3

7
Items required

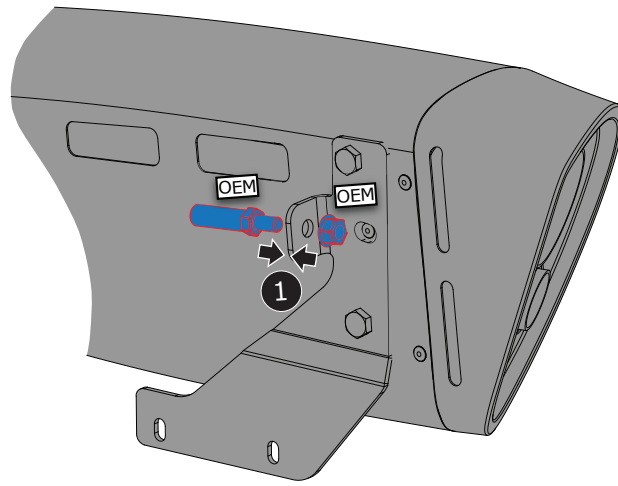


OEM parts needed in step 3 & 4 :

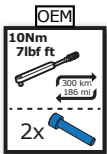
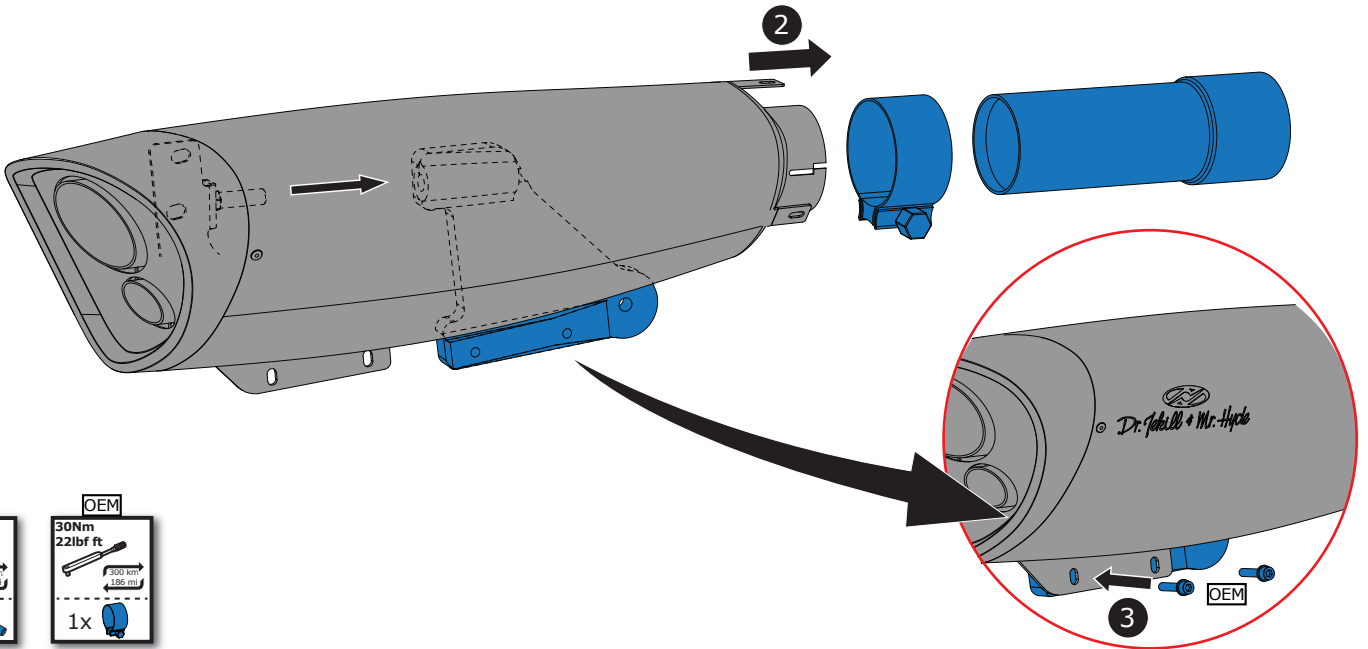


Tighten **B1** at step 5

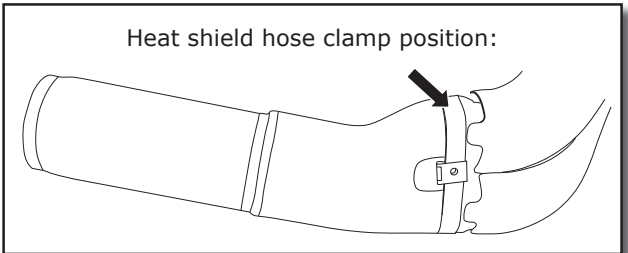
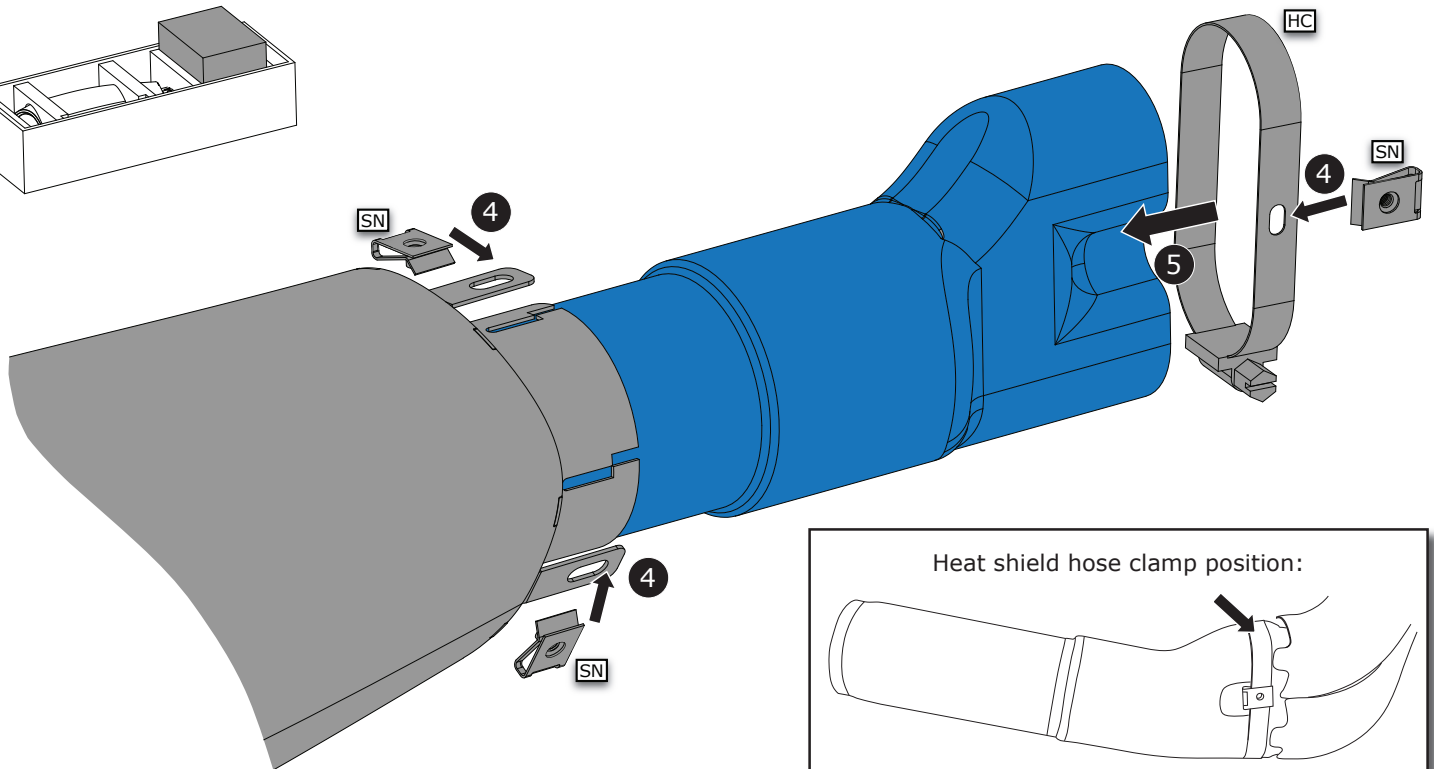
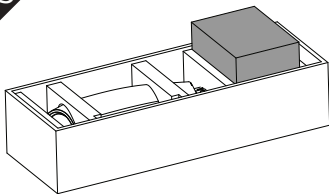
4.1



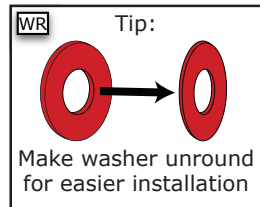
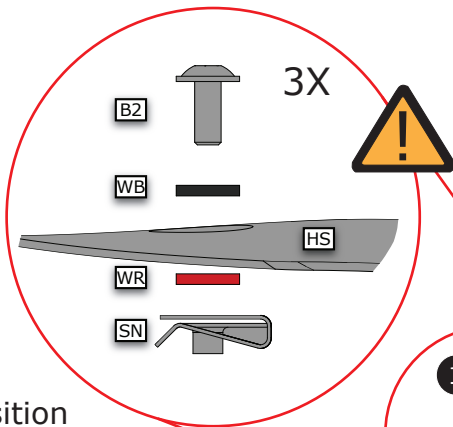
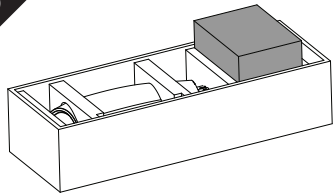
4.2



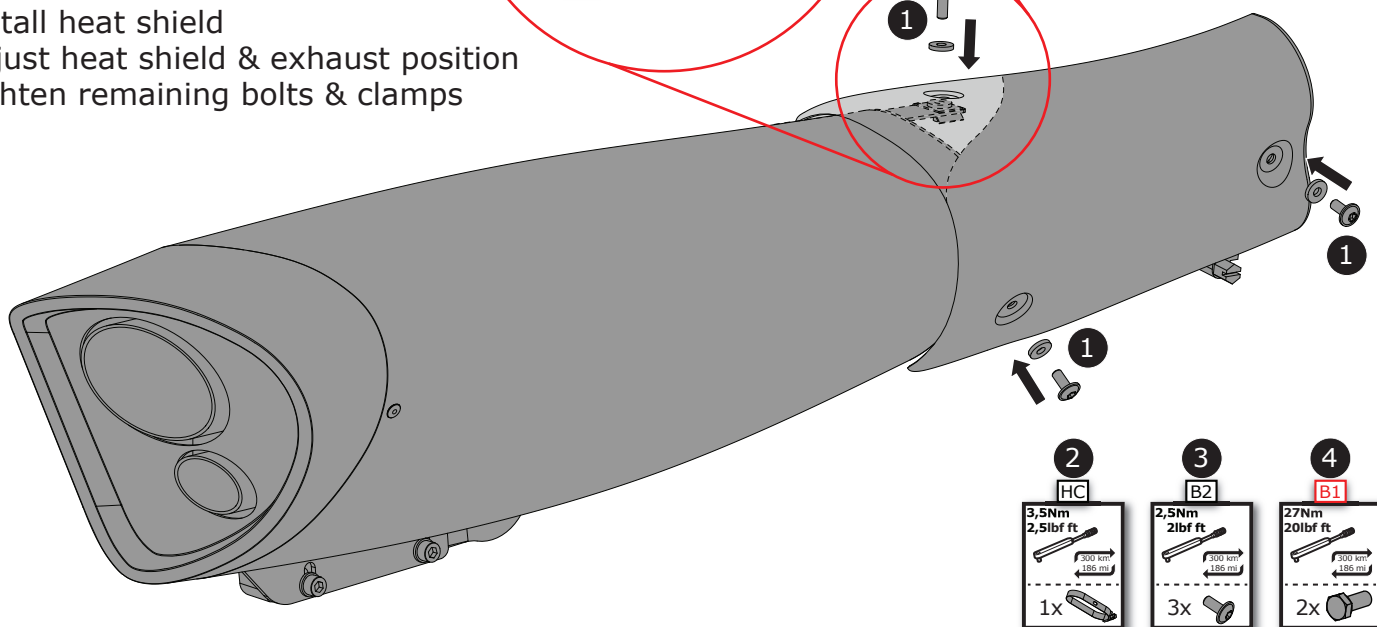
4.3



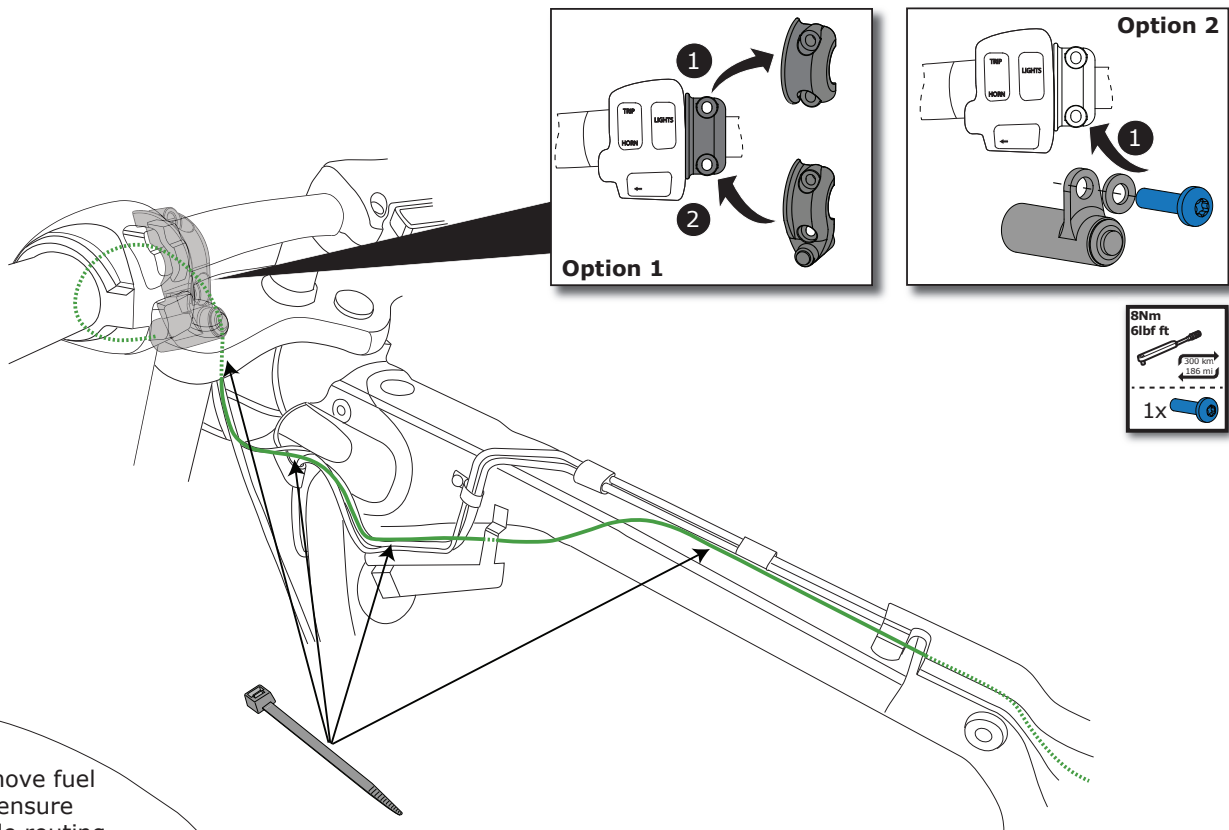
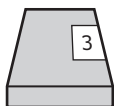
5



- Install heat shield
- Adjust heat shield & exhaust position
- Tighten remaining bolts & clamps



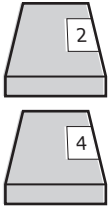
6



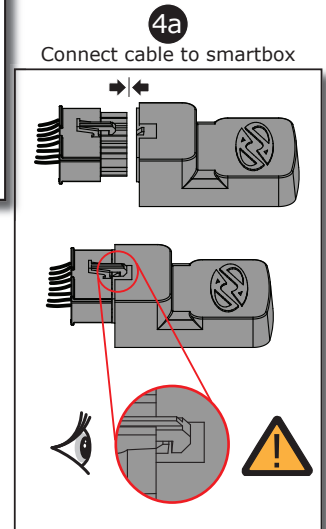
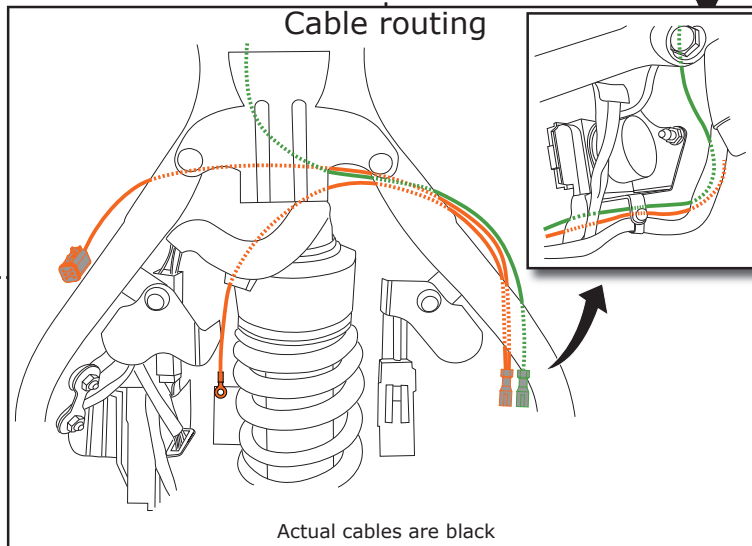
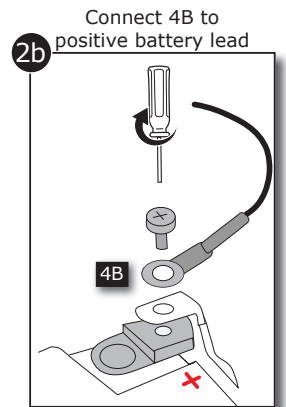
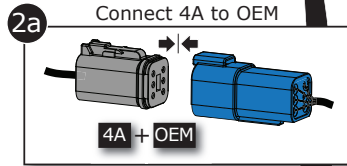
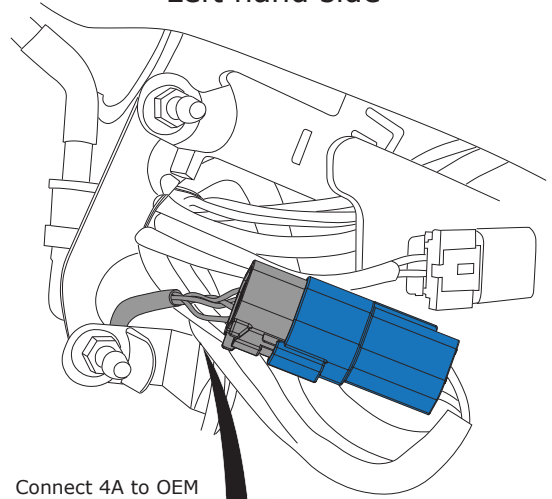
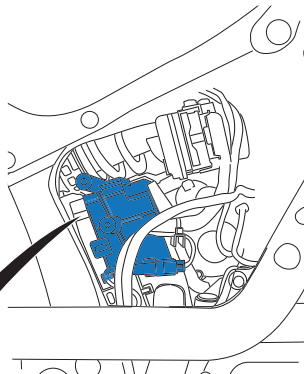
Lift or remove fuel tank to ensure proper cable routing

Right hand side

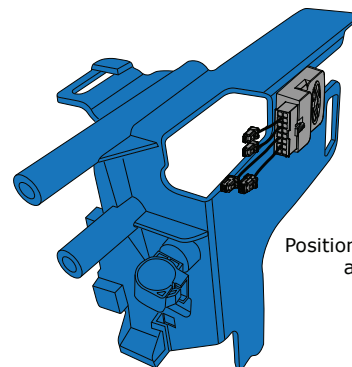
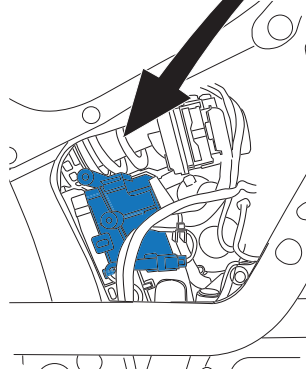
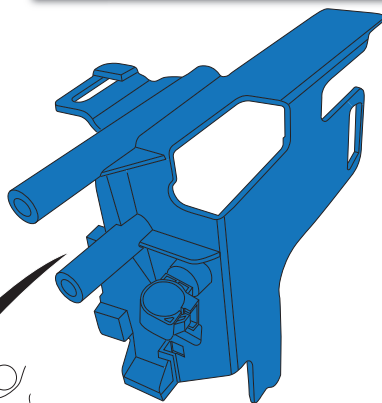
Left hand side



1 Remove battery cover

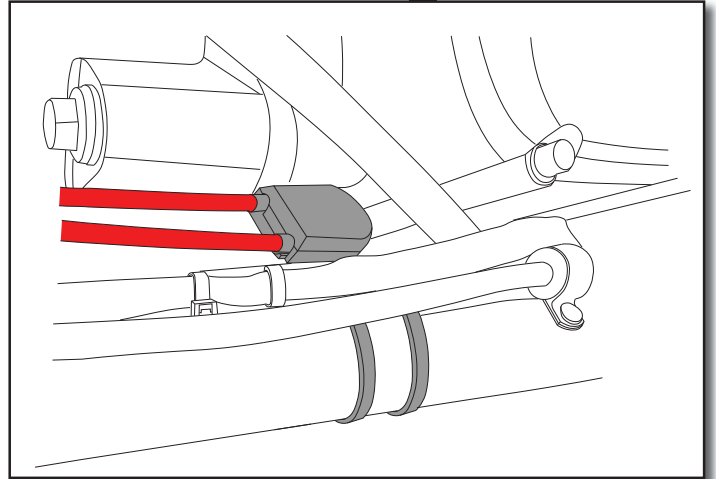
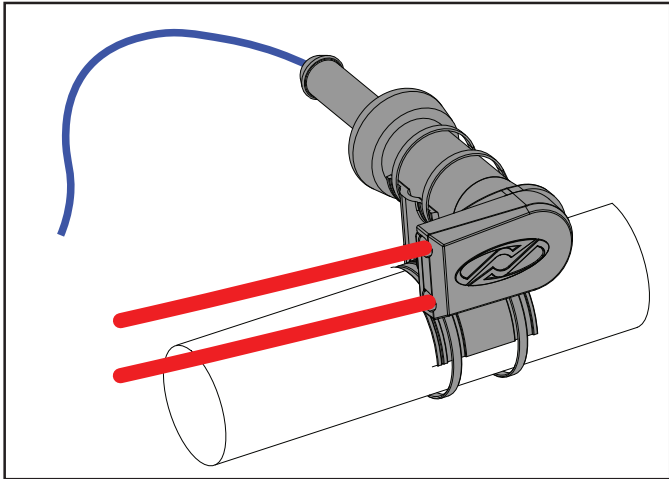
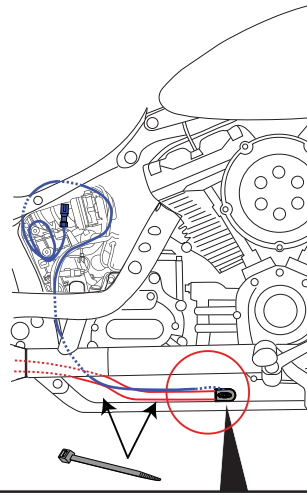
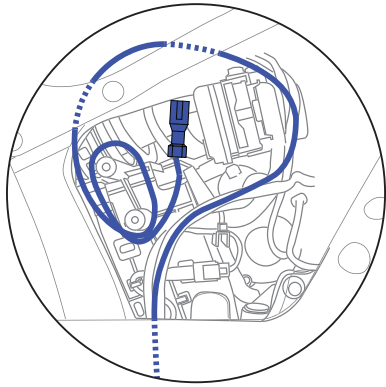
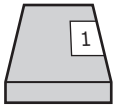


3 Reinstall battery cover

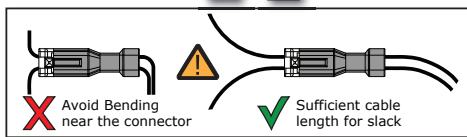
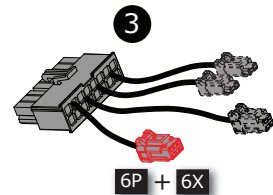
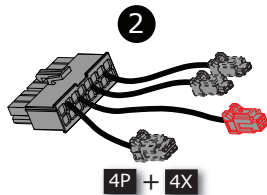
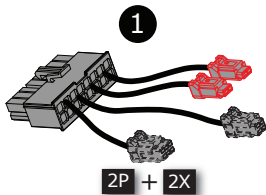


4b Position the smartbox as shown

8



9



10



Reinstall fuse and perform a

Complete System Check!

