



SN. . . . .

# Dr. Jekyll & Mr. Hyde<sup>®</sup>

## THE EXHAUST

MANUAL : HARLEY-DAVIDSON<sup>®</sup> | EASYMOUNT | SMARTBOX 2

**NEW IN THIS MANUAL:  
- HEADER & EXHAUST**

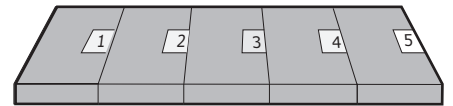


Softail Twenty-One  
2018->

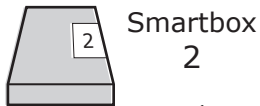
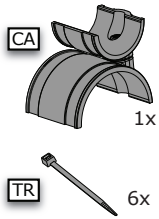
1

# Softail Twenty-One 2018 ->

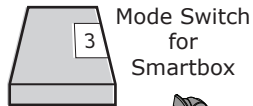
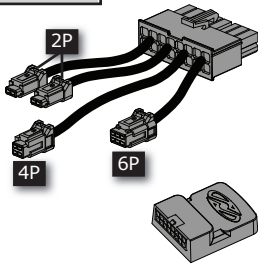
## Easymount Smartbox 2



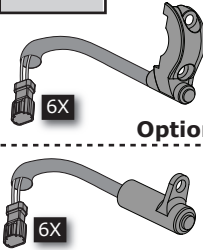
1 Assembly Kit



2 Smartbox



3 Mode Switch for Smartbox

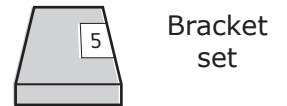
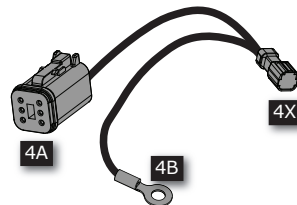


Option 1

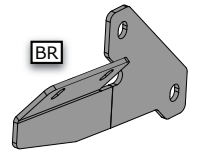
Option 2



4 Smartbox Control Cable

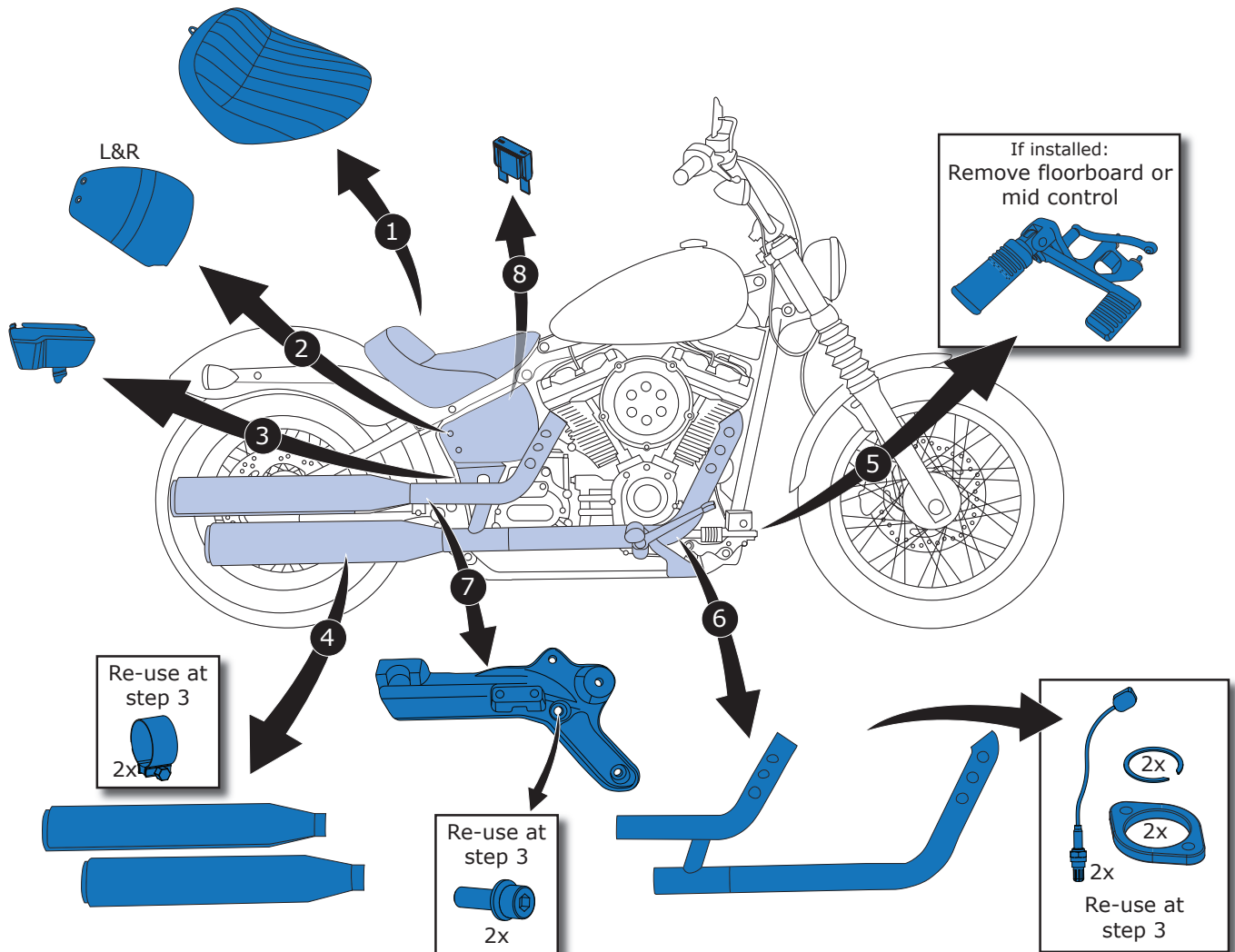


5 Bracket set

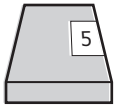


2

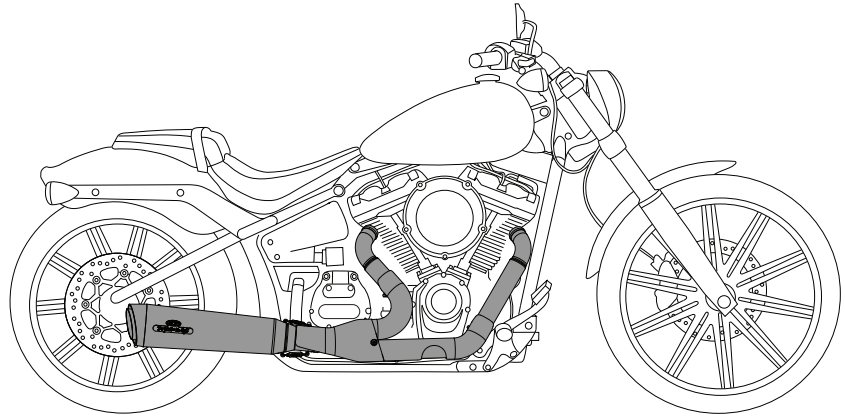
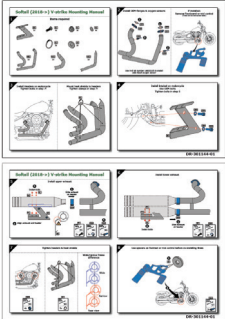
⚠ OEM components vary per Softail model ⚠



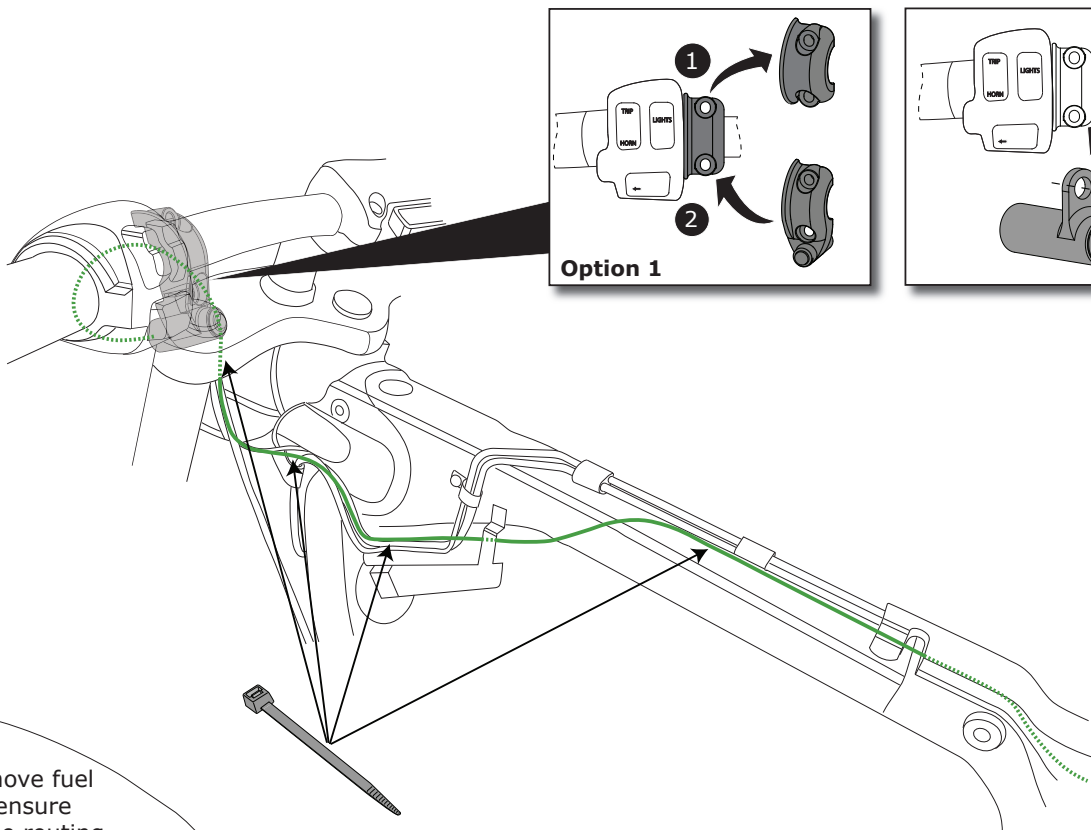
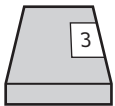
3



To mount the exhaust use the mountingset + manual



4

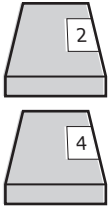


Lift or remove fuel tank to ensure proper cable routing

5

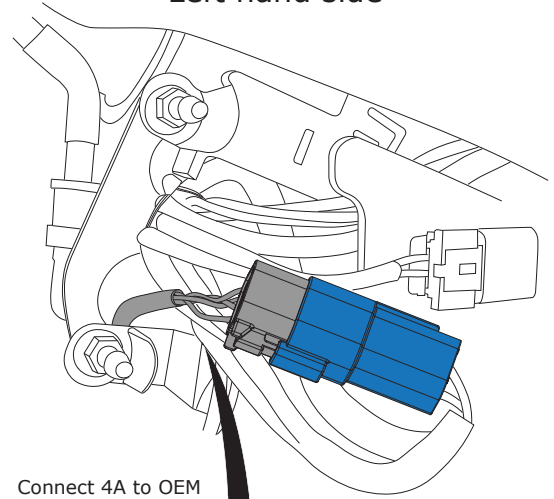
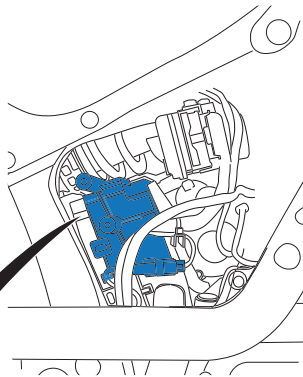
Right hand side

Left hand side



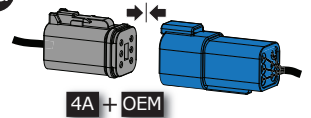
1

Remove battery cover



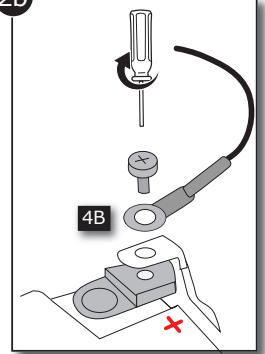
2a

Connect 4A to OEM

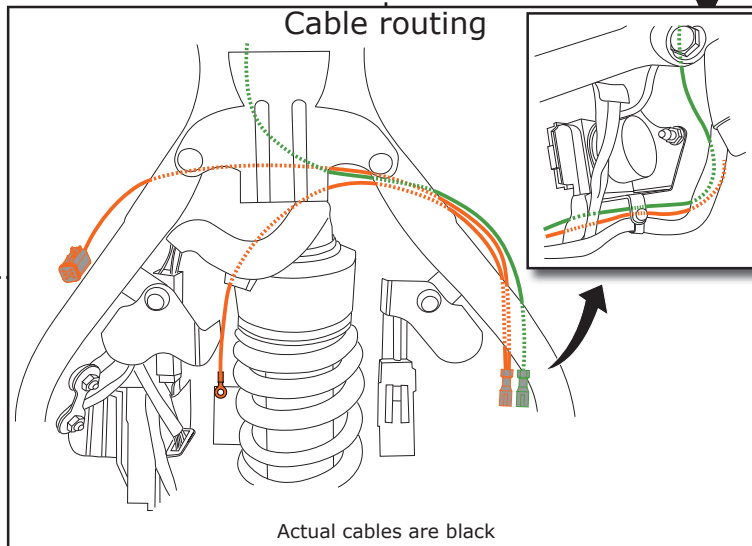


2b

Connect 4B to positive battery lead



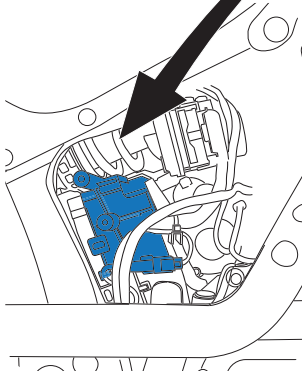
Cable routing



Actual cables are black

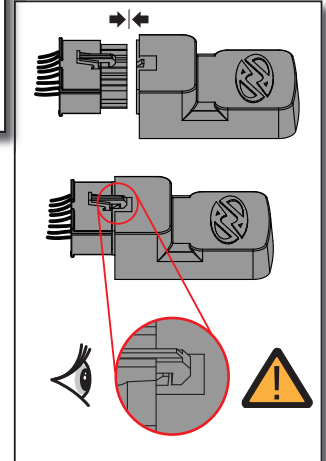
3

Reinstall battery cover



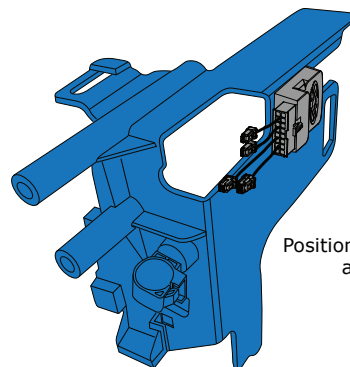
4a

Connect cable to smartbox

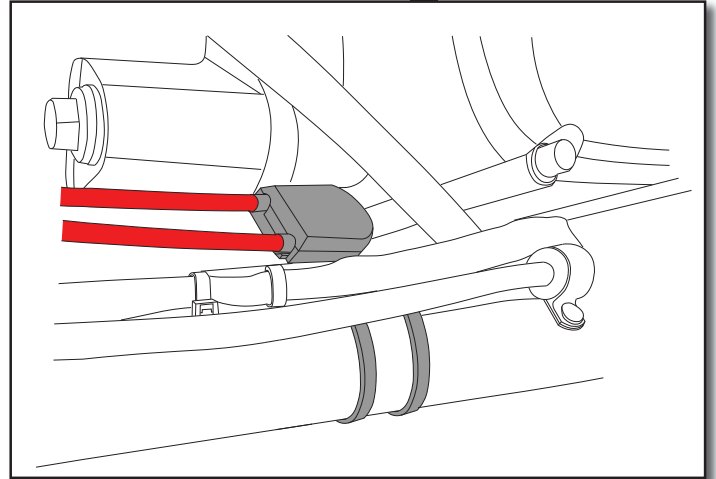
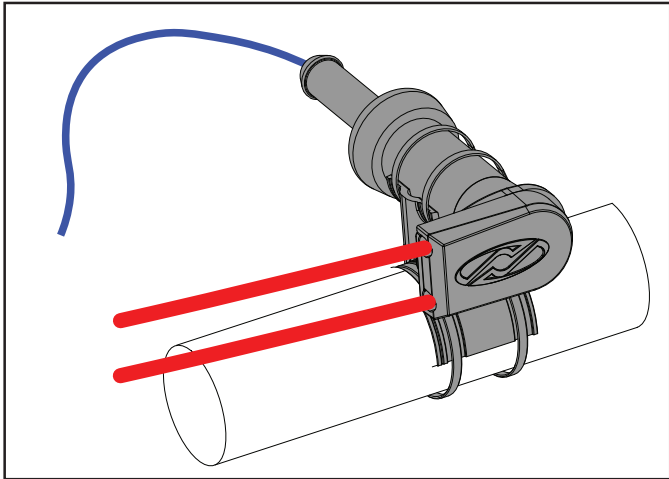
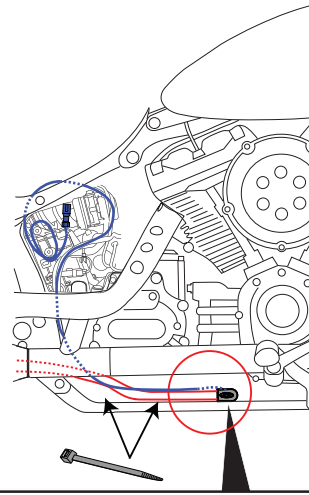
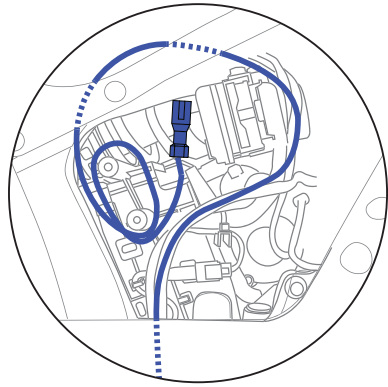
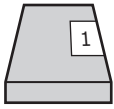


4b

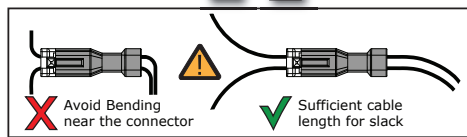
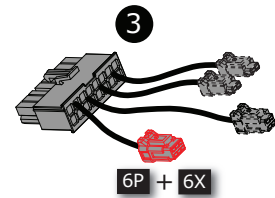
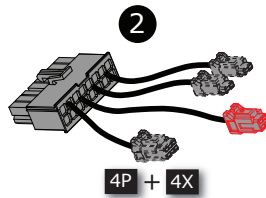
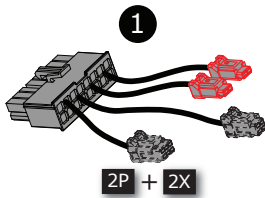
Position the smartbox as shown



6



7



8



Reinstall fuse and perform a

**Complete System Check!**

