



SN.

Dr. Jekyll & Mr. Hyde®

THE EXHAUST

MANUAL : BMW® | SMARTBOX 2

**NEW IN THIS MANUAL:
- 2020 MODEL**

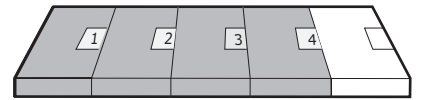


R18
2020->

Instruction
video



1 BMW R18 - Beat Long Smartbox 2



1 Assembly Kit

- PC 2x
- BR 1x
- W1 9x
- B1 1x
- B2 8x
- TR 16x
- N1 8x

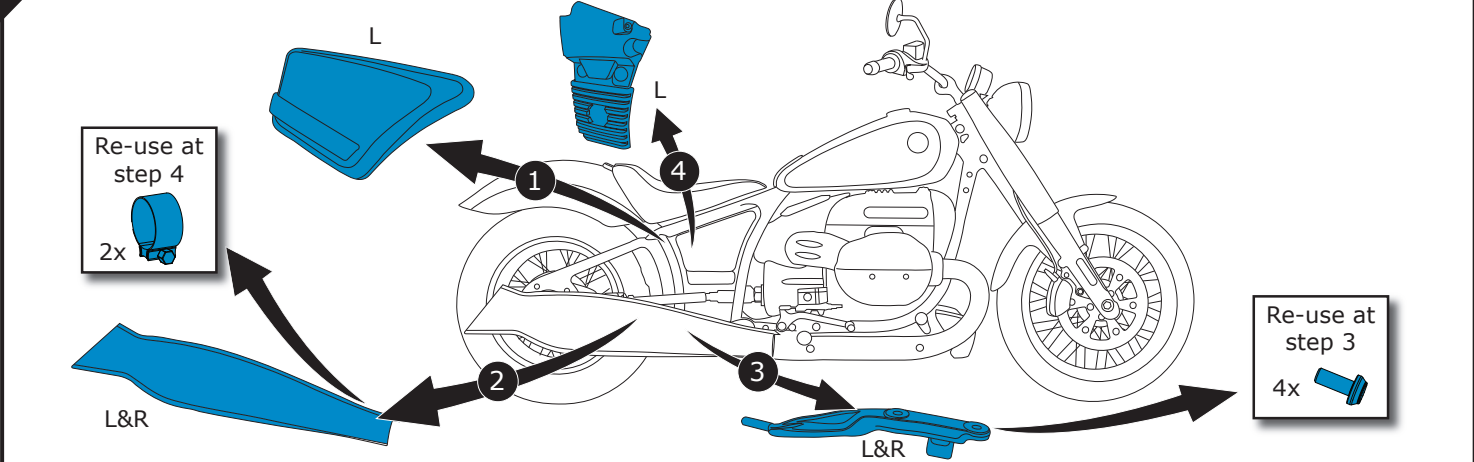
2 Smartbox 2

3 Mode Switch for Smartbox

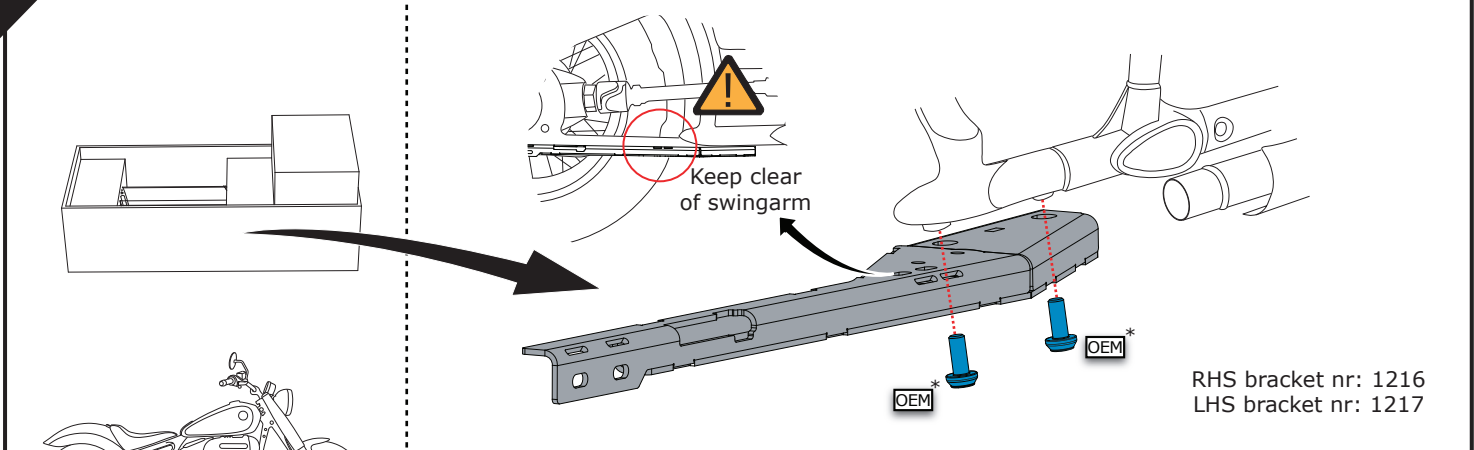
4 Smartbox Control Cable

Exhaust/Cable /Servo System

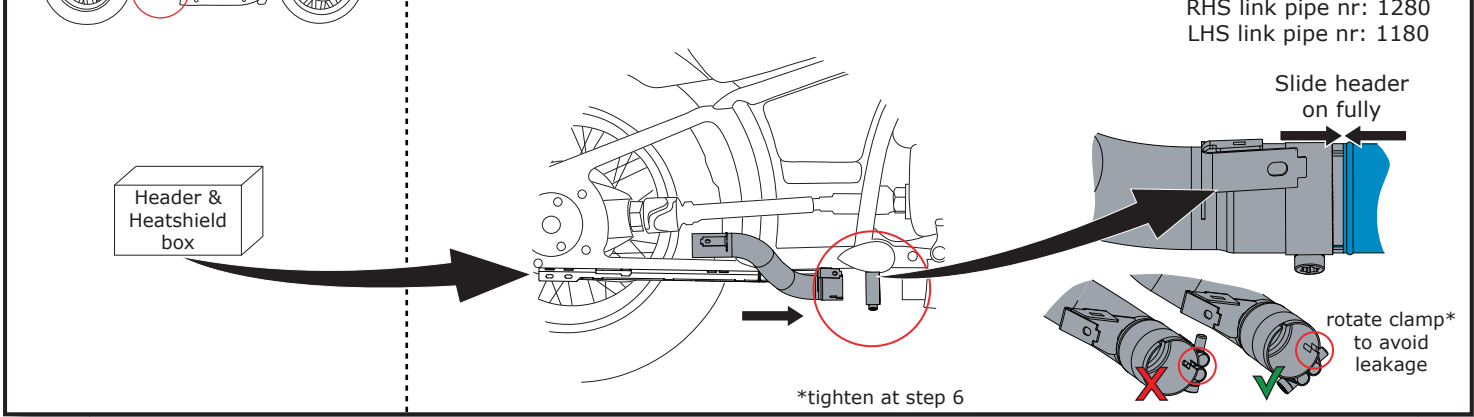
2 ⚠ OEM components may vary per R18 model



3 Install bracket left & right

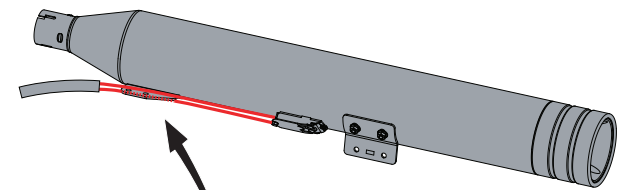


Install link pipe left & right

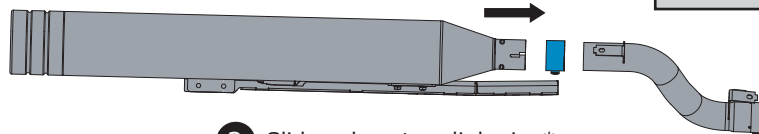
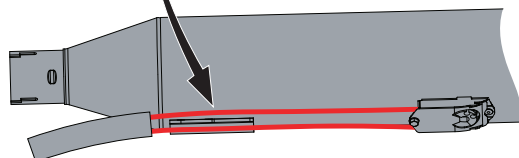


4

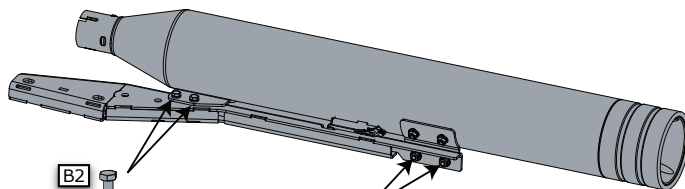
Install exhausts left & right



1 Position servo cables as shown:
upper cable above bracket
lower cable below bracket



2 Slide exhaust on link pipe*



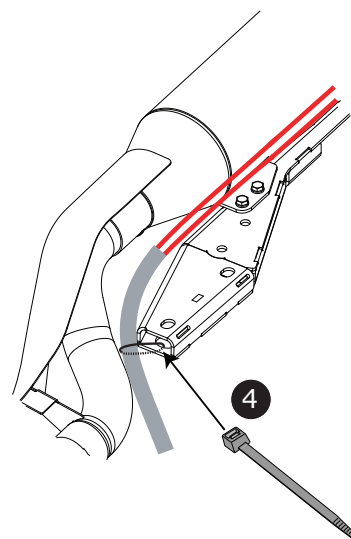
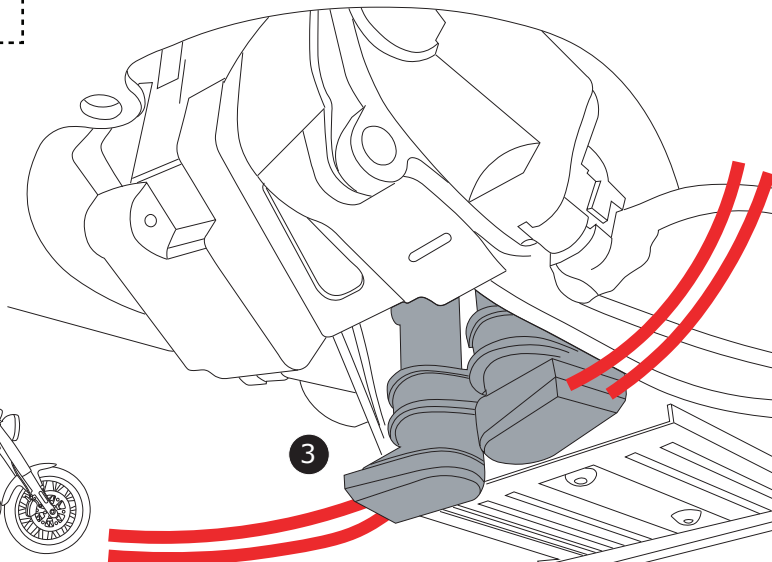
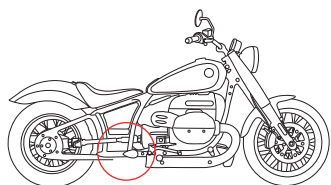
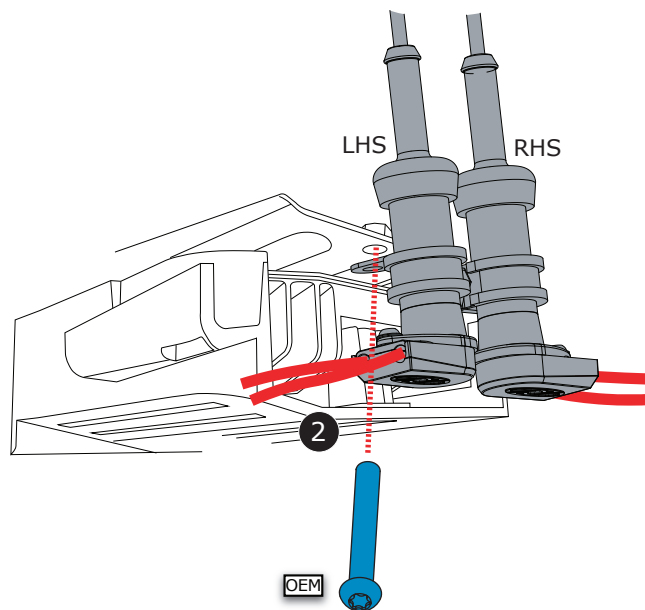
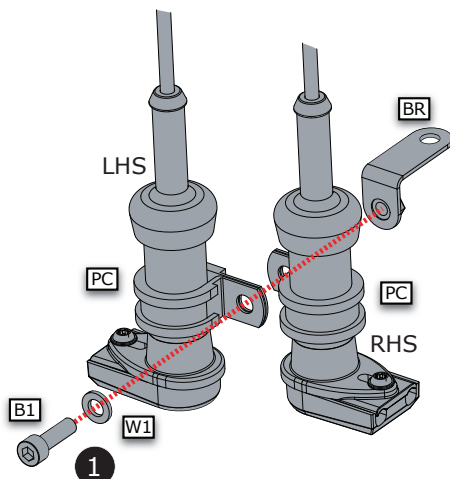
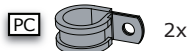
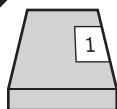
3 Bolt exhaust to bracket*



*Tighten bolts & clamps at step 6

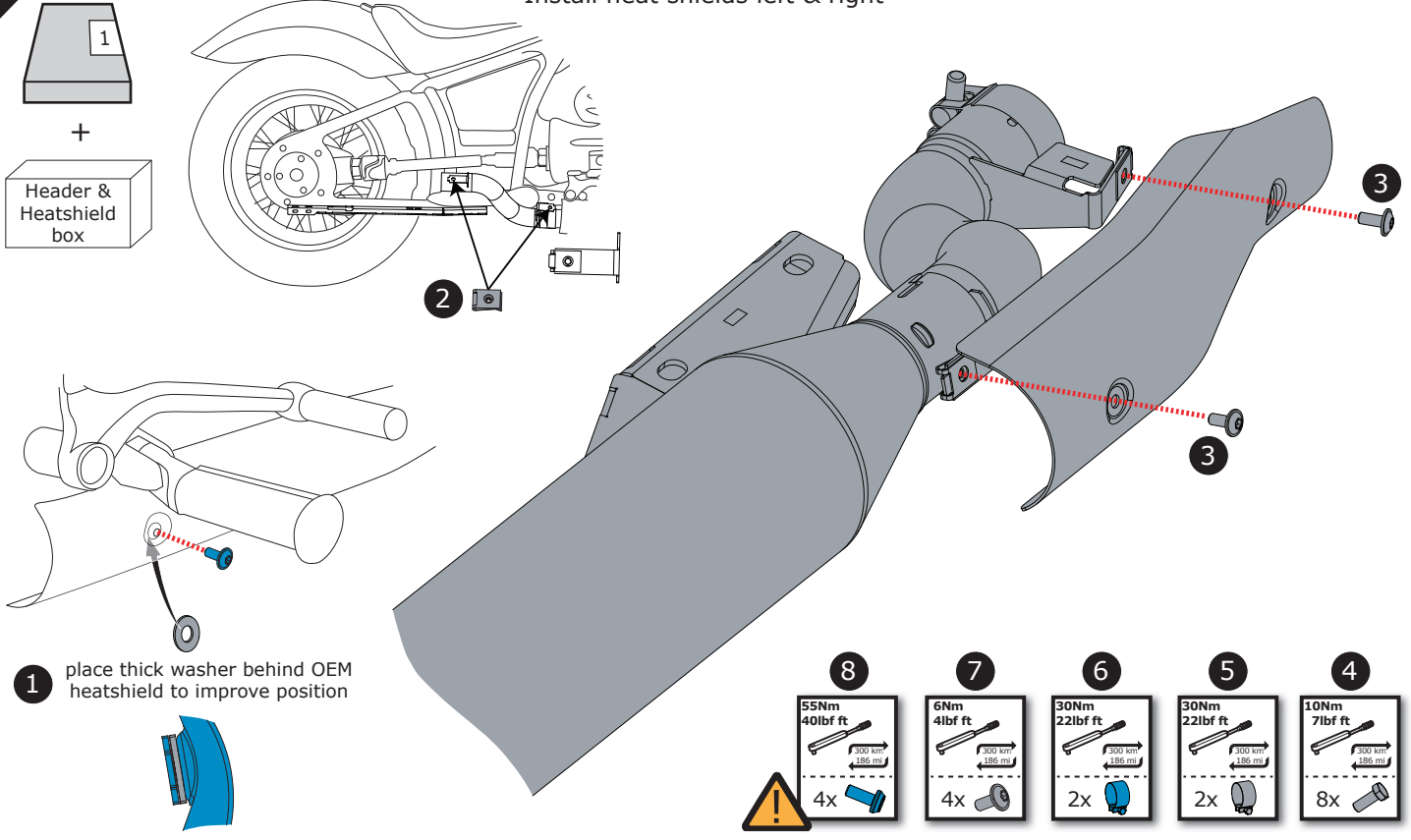
5

Servo motor positioning



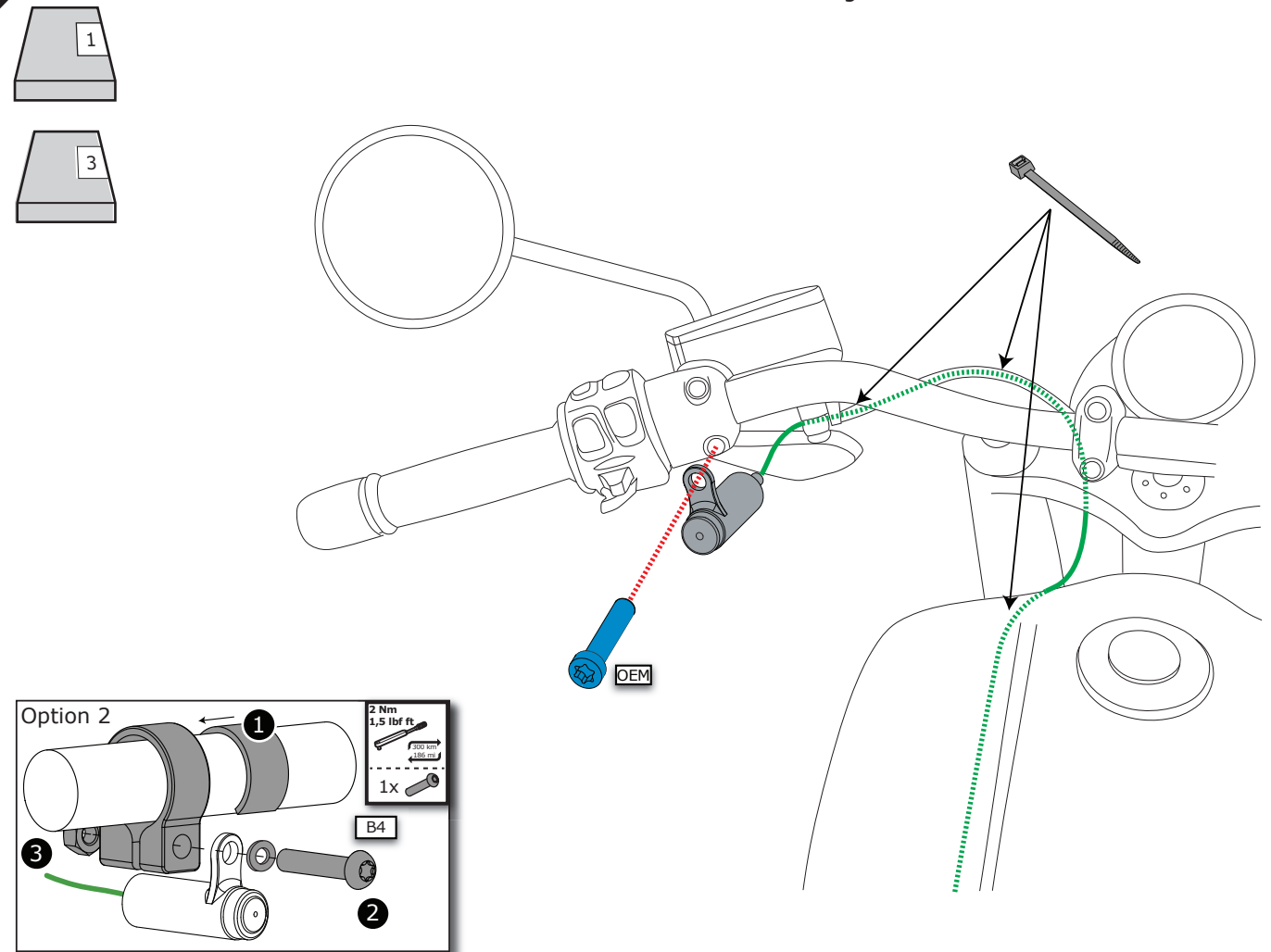
6

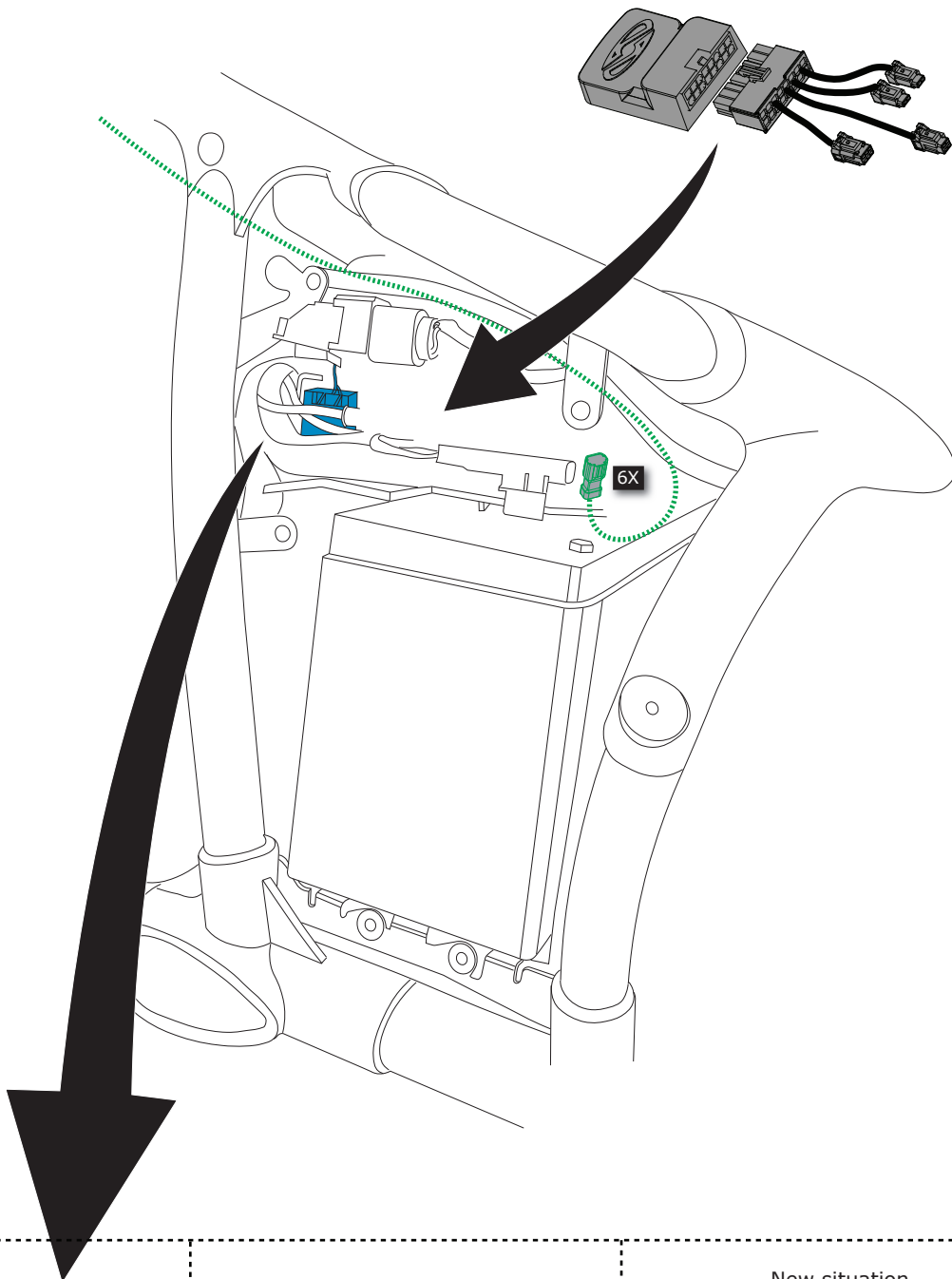
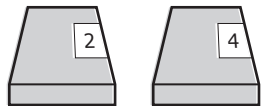
Install heat shields left & right



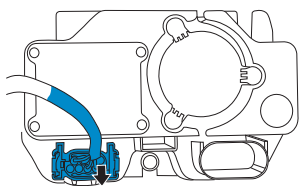
7

Install modeswitch & cable routing

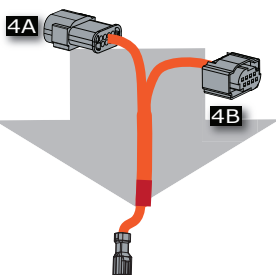




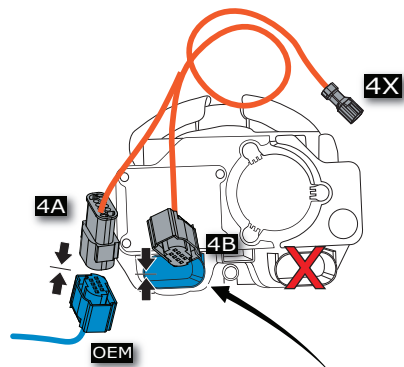
Current situation




Connect control cable



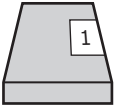
New situation



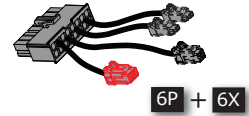
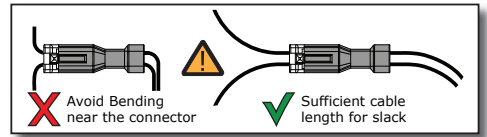
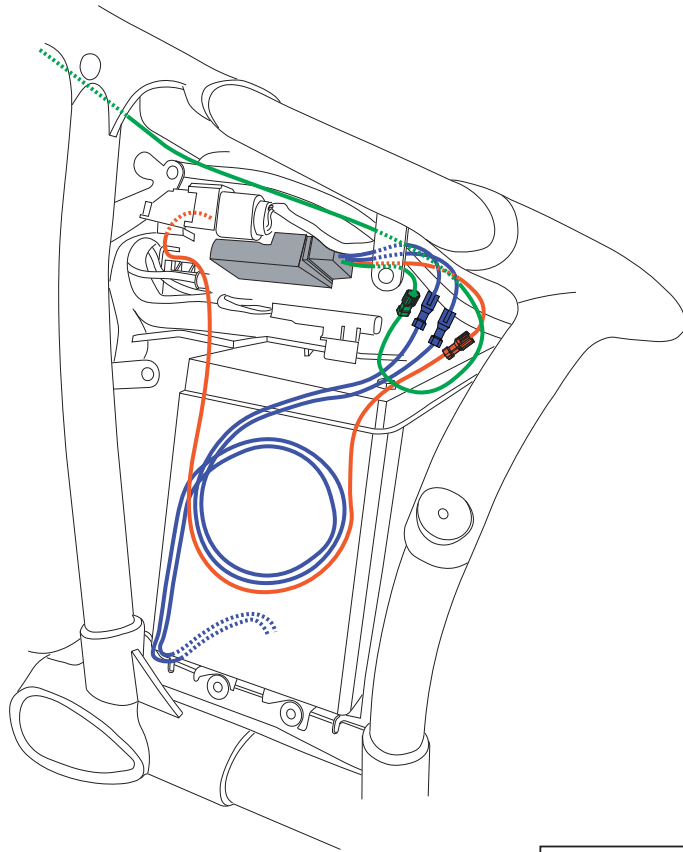
 Always connect **4B**

9

Cable routing & connecting smartbox

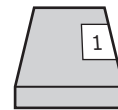
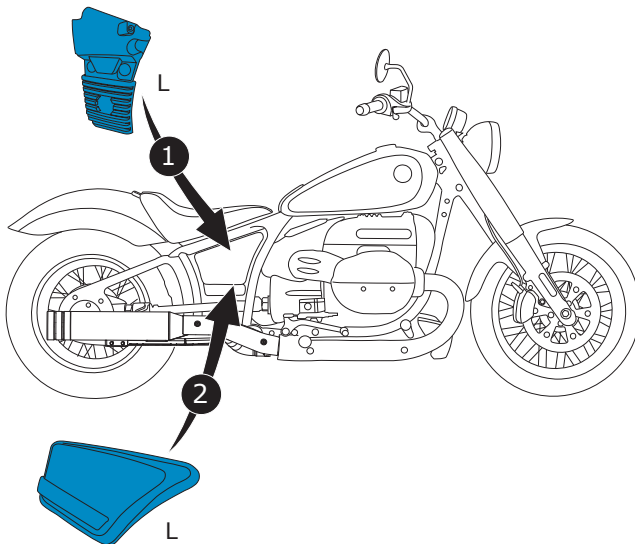
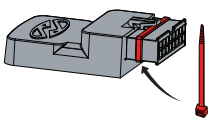


TR 3x



10

Complete System Check!



OEM hard case mounting possibility

