



SN.

Dr. Jekyll & Mr. Hyde®

THE EXHAUST

MANUAL : BMW® | SMARTBOX 2

**NEW IN THIS MANUAL:
- 2020 MODEL**

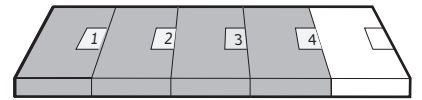


**R18
2020->**

Instruction
video



1 BMW R18 - Beat Short Smartbox 2



1 Assembly Kit

- PC 2x
- BR 1x
- W1 9x
- B1 1x
- B2 8x
- TR 16x
- N1 8x

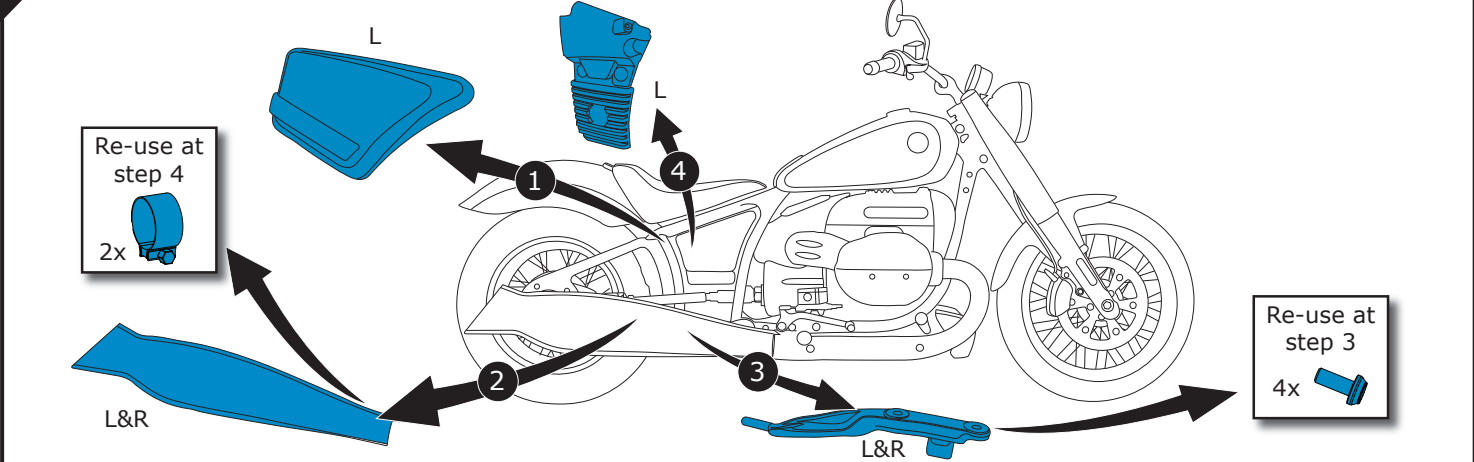
2 Smartbox 2

3 Mode Switch for Smartbox

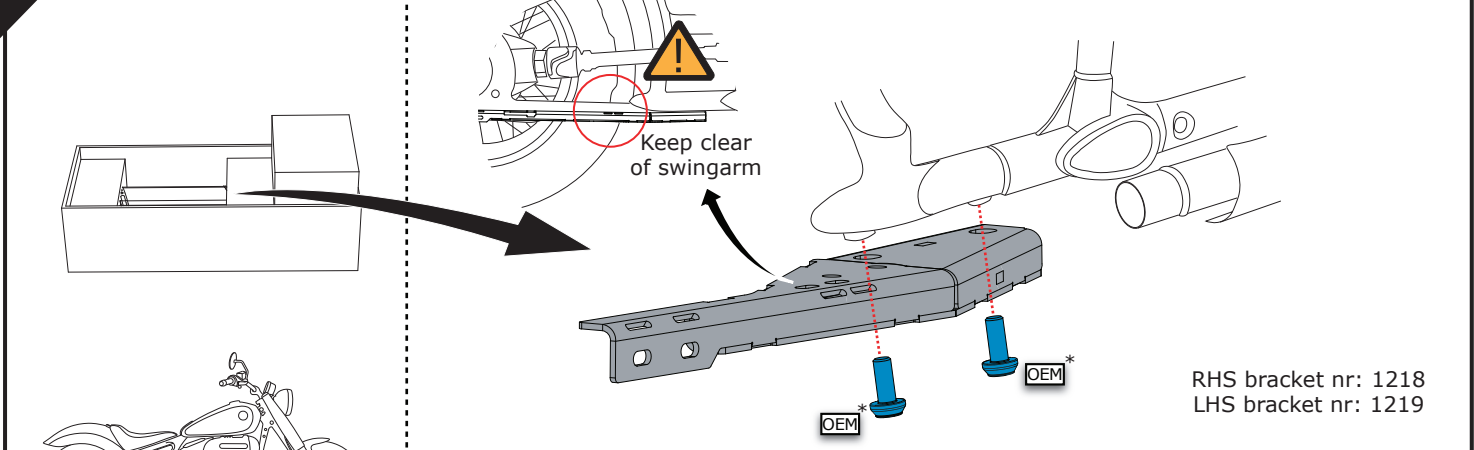
4 Smartbox Control Cable

Exhaust/Cable /Servo System

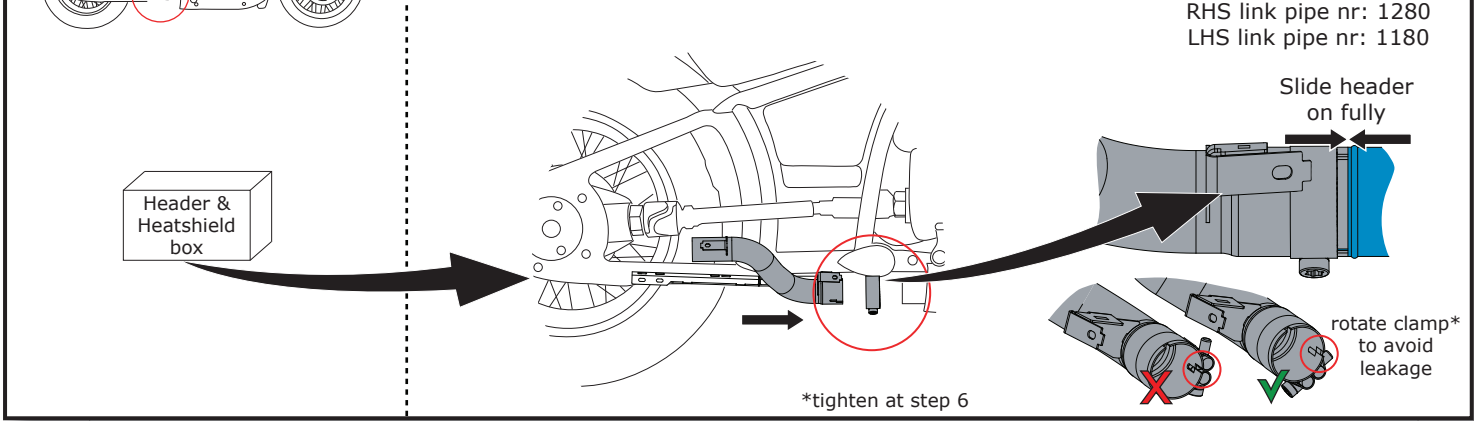
2 ⚠ OEM components may vary per R18 model



3 Install bracket left & right



Install link pipe left & right

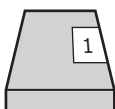
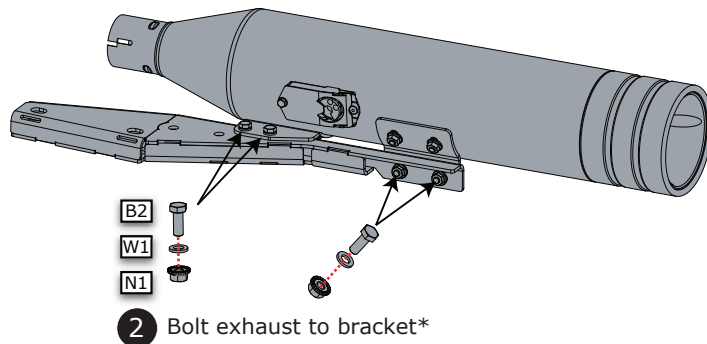
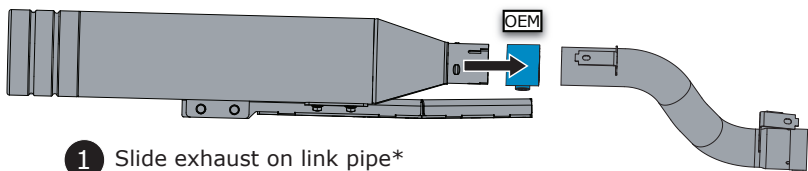


4

Install exhausts left & right

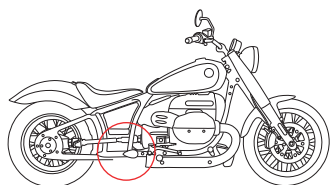
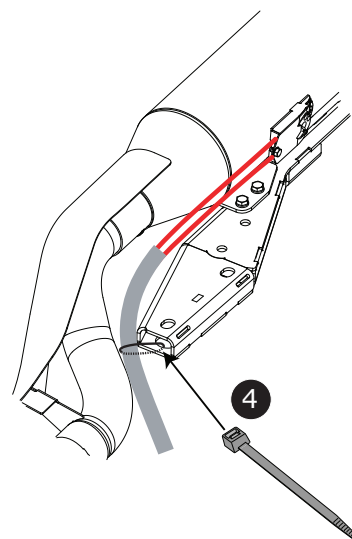
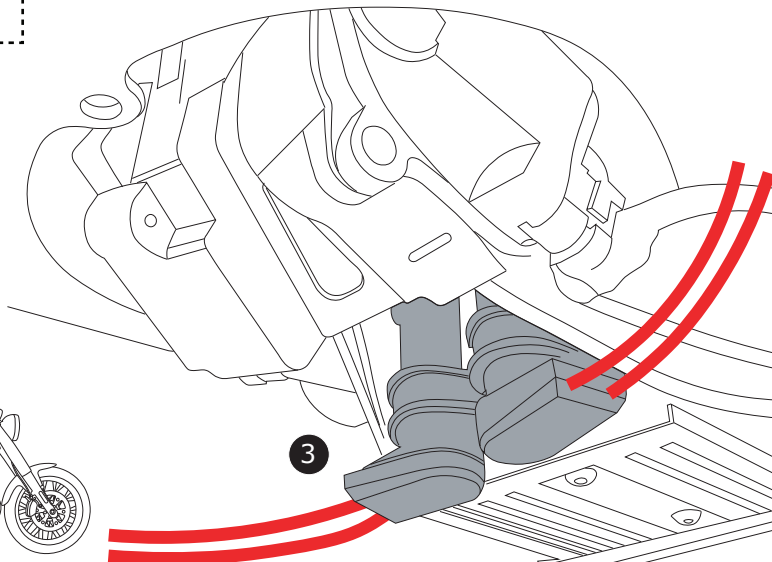
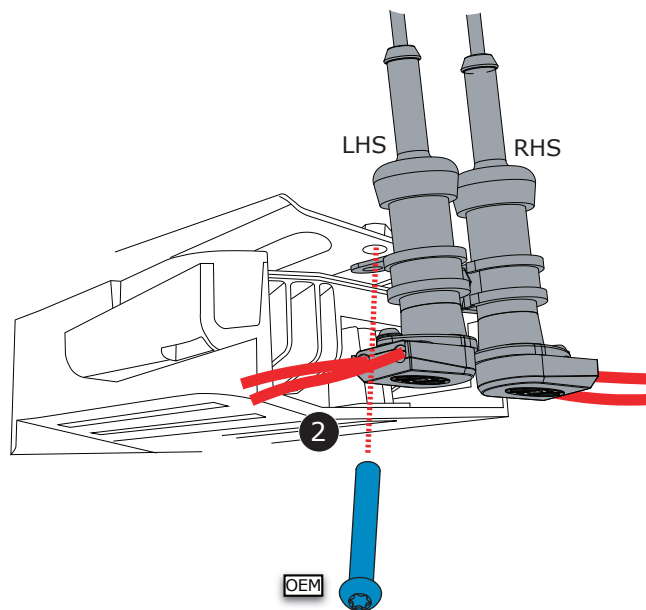
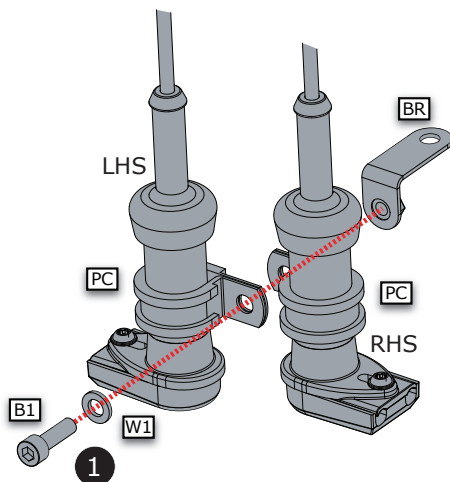
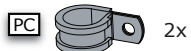
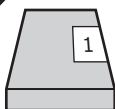


*Tighten bolts & clamps at step 6



5

Servo motor positioning



6

Install heat shields left & right

Header & Heatshield box

1 place red washer behind OEM heatshield to improve position

7	55Nm 40lbf ft	4x
6	6Nm 4lbf ft	4x
5	30Nm 22lbf ft	2x
4	30Nm 22lbf ft	2x
3	10Nm 7lbf ft	8x

7

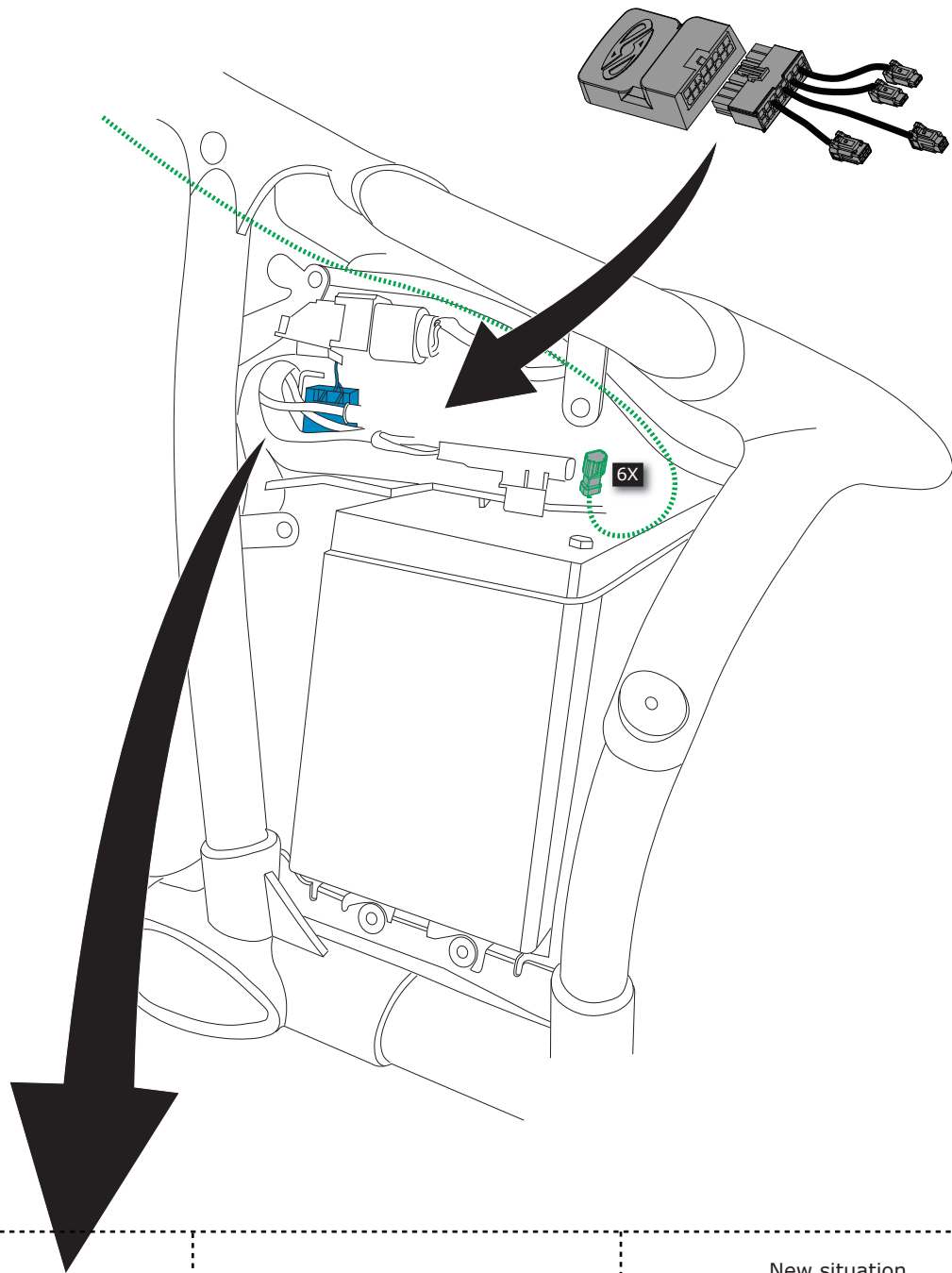
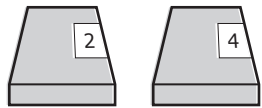
Install modeswitch & cable routing

Option 2

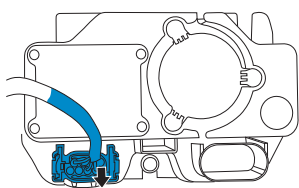
2 Nm
1,5 lbf ft

1x

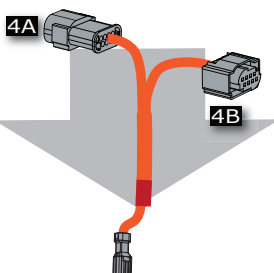
B4



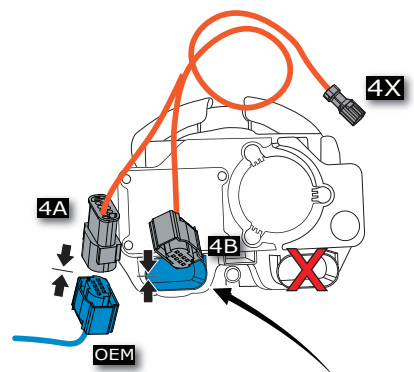
Current situation



Connect control cable



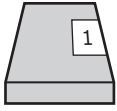
New situation



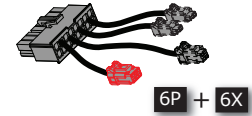
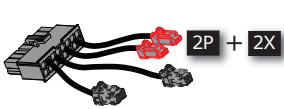
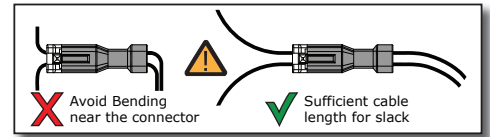
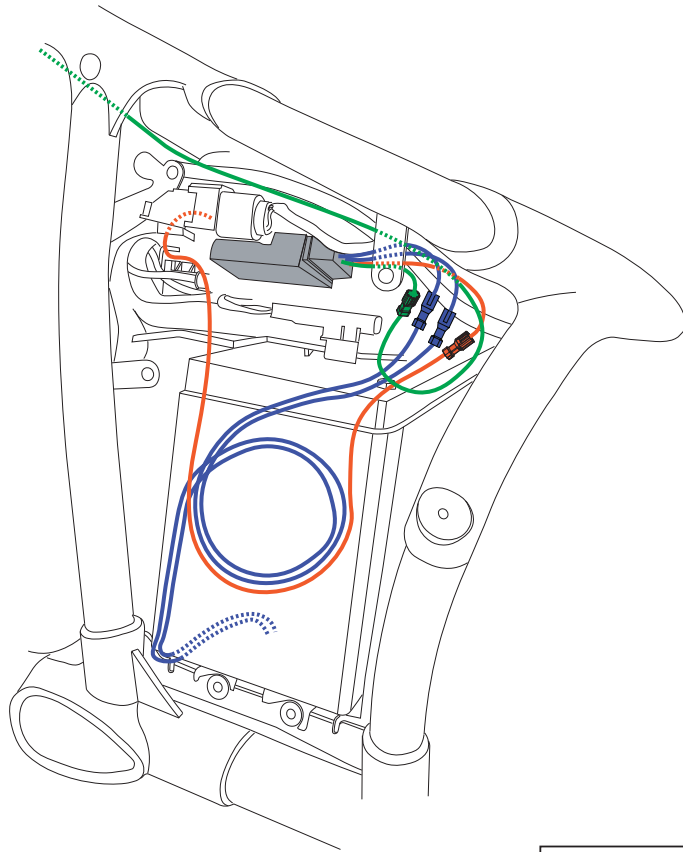
Always connect 4B

9

Cable routing & connecting smartbox



TR 3x



10

Complete System Check!

