



SN.

Dr. Jekyll & Mr. Hyde®

THE EXHAUST

MANUAL : HARLEY-DAVIDSON® | SMARTBOX 2

NEW IN THIS MANUAL:

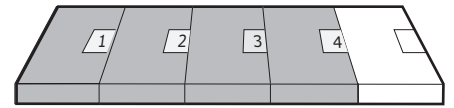
- 2021 MODEL
- PLUG & PLAY POWER CABLE
- O2 SENSOR EXTENDER
- O2 SENSOR CABLE EXTENDER



Slim
Standard
2021->

1

Slim/Standard 2021-> Smartbox 2



1 Assembly Kit

CA 2x
TR 16x

2 Smartbox 2

2P
4P
6P

3 Mode Switch for Smartbox

Option 1
Option 2

6X
6X

4 Smartbox Power Cable

4X
4A

5 O2 sensor cable extender

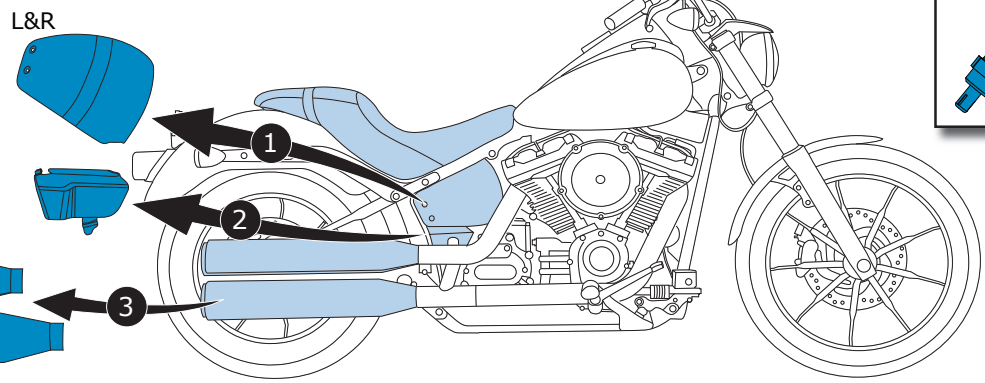
Exhaust/Cable /Servo System

2X

2

Re-use at step 3 & 4

4x 2x



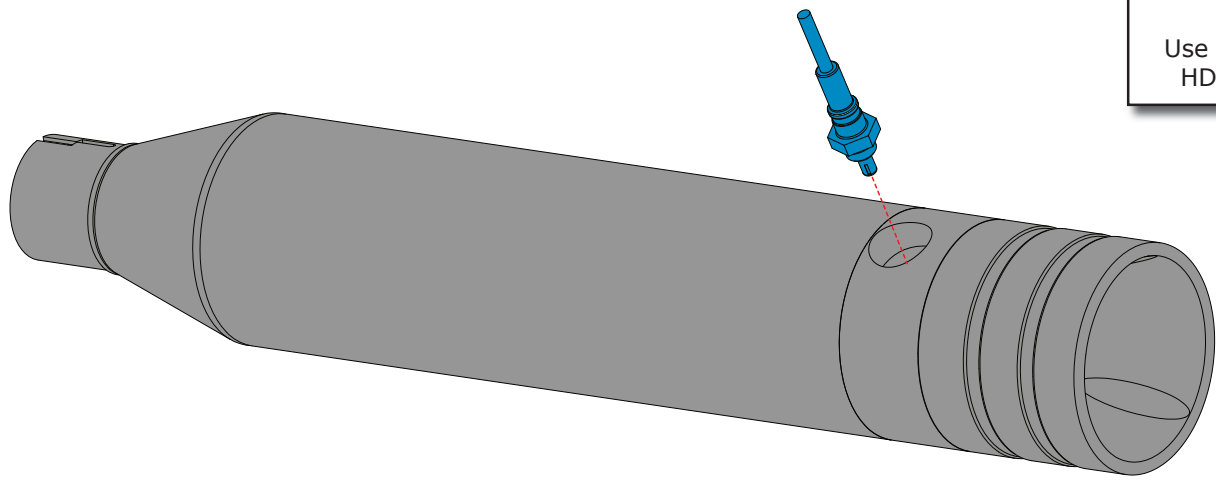
Re-use at step 3

2x

3

Re-install oxygen sensors Upper- & lower exhaust

Use HD-tool:
HD-52977



OEM

20Nm
15lbf ft

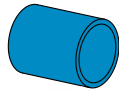
300 mm
186 mm

2x

⚠ Upper exhaust oxygen sensor = gray
Lower exhaust oxygen sensor = black ⚠

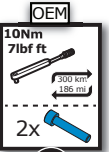
4

Install upper exhaust



- HD part nr. 65900017

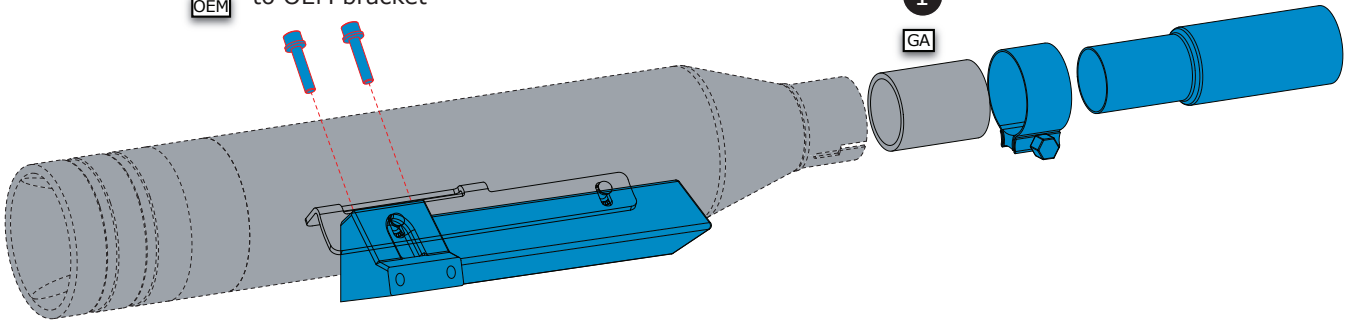
GA
1x



2x

2 Attach exhaust to OEM bracket

1 Slide exhaust on OEM header



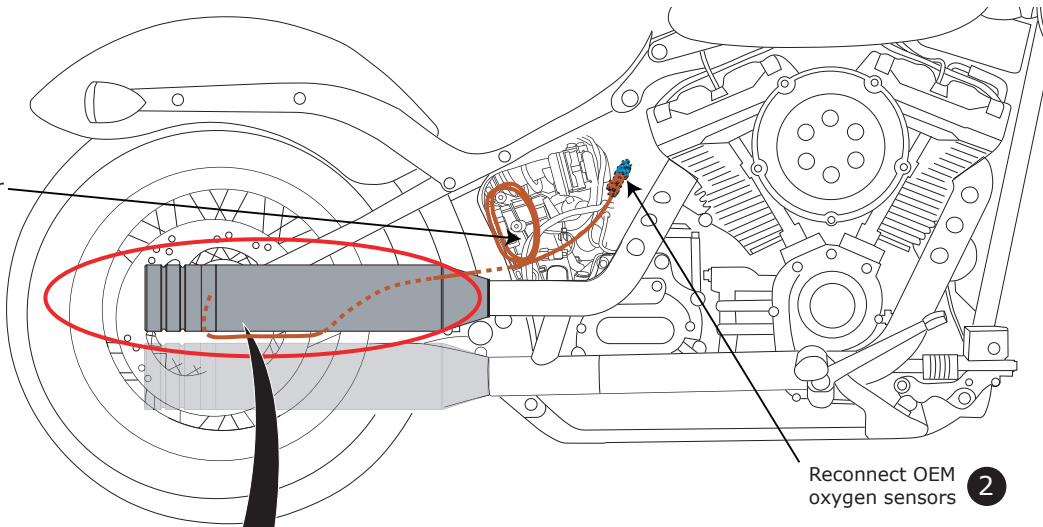
5

Upper exhaust O2 sensor cable (gray) routing

1



Connect J&H Oxygen sensor extension cable for upper exhaust

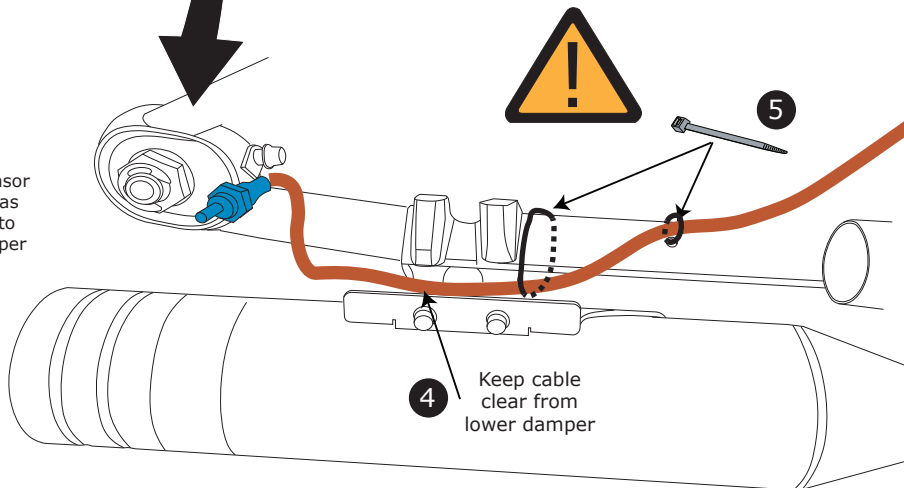


2 Reconnect OEM oxygen sensors



5

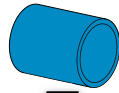
Oxygen sensor displayed as mounted to upper damper



4 Keep cable clear from lower damper

6

Lower exhaust

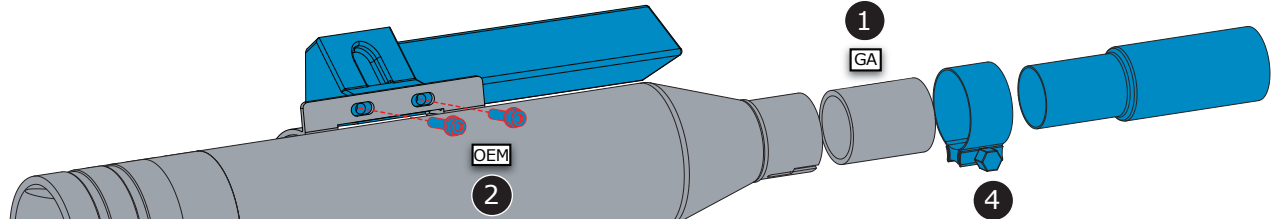


- HD part nr. 65900017

GA
1x

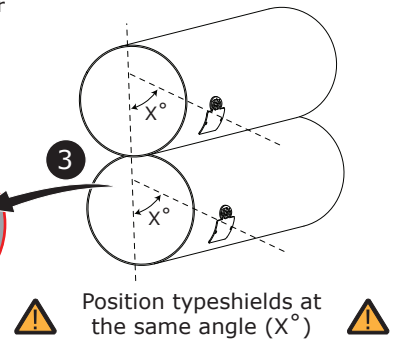
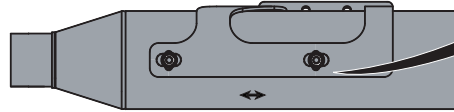
OEM 10Nm 7lbf ft 300 km/h 186 mi/h 2x	N1 10Nm 7lbf ft 300 km/h 186 mi/h 4x	OEM 30Nm 22lbf ft 300 km/h 186 mi/h 2x
2	3	4

Slide exhaust on OEM header



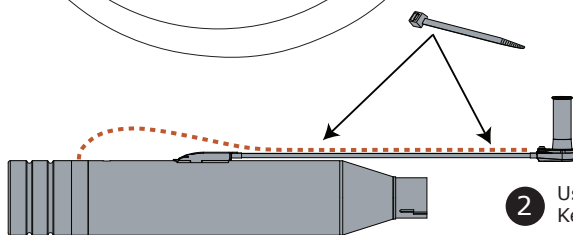
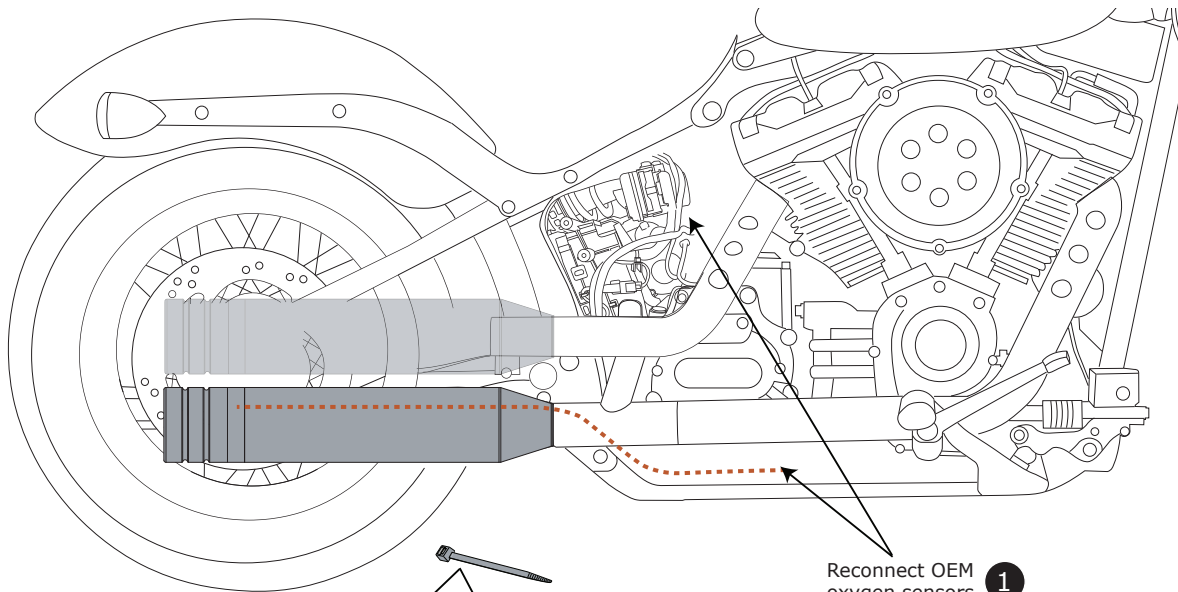
Attach exhaust to OEM bracket

Loosen nuts to adjust exhaust position

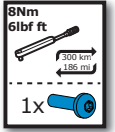
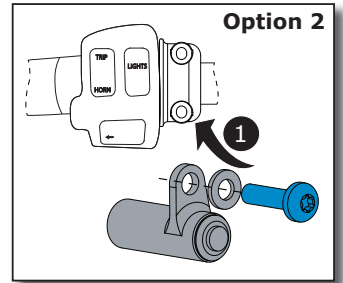
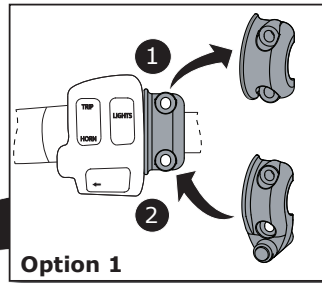
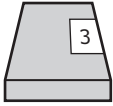


7

Lower exhaust O2 sensor cable (black) routing

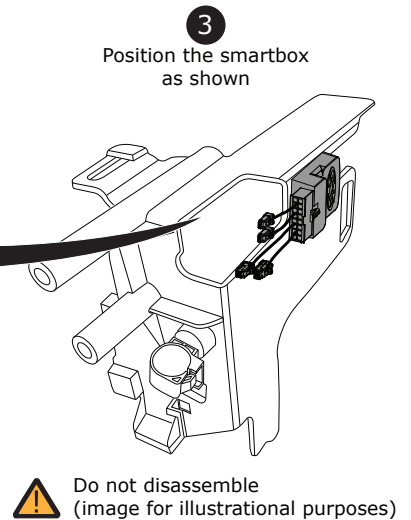
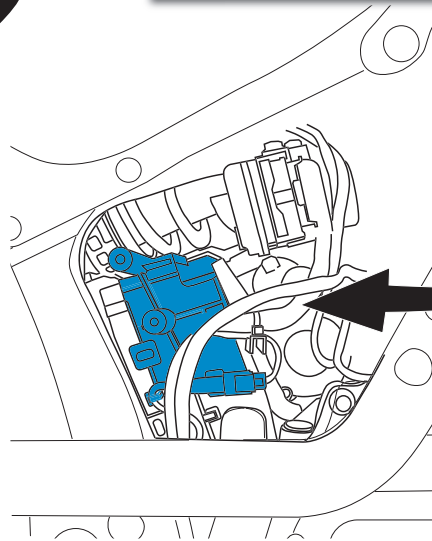
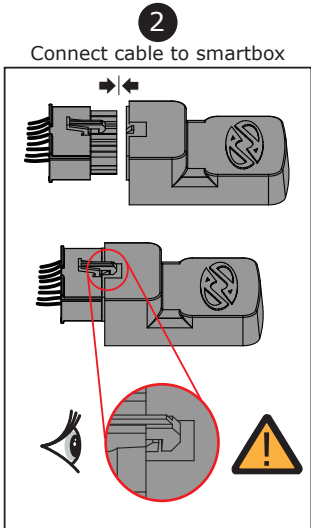
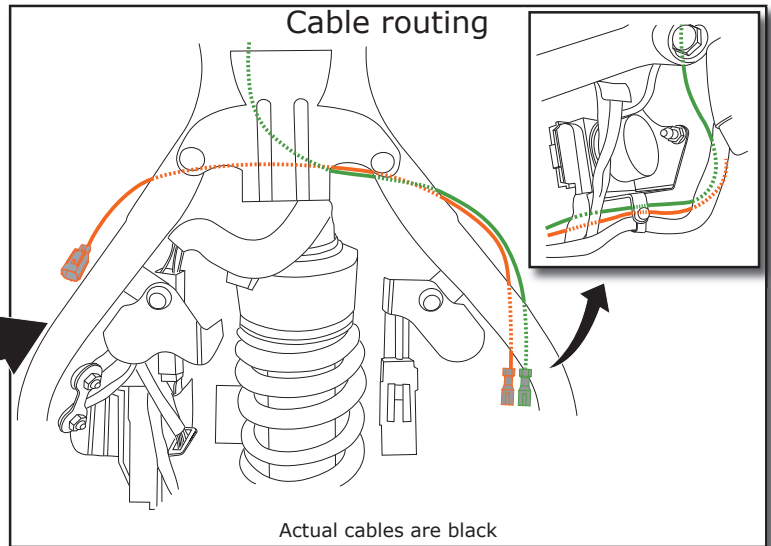
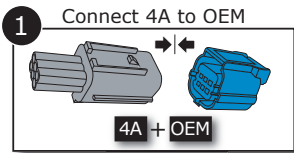
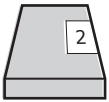


8

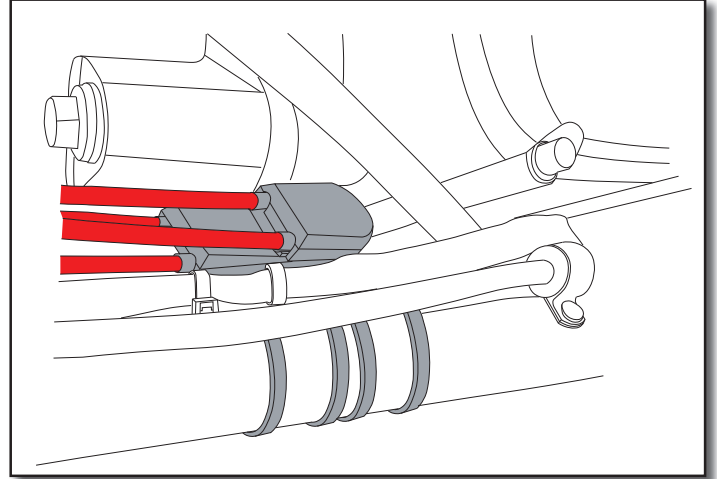
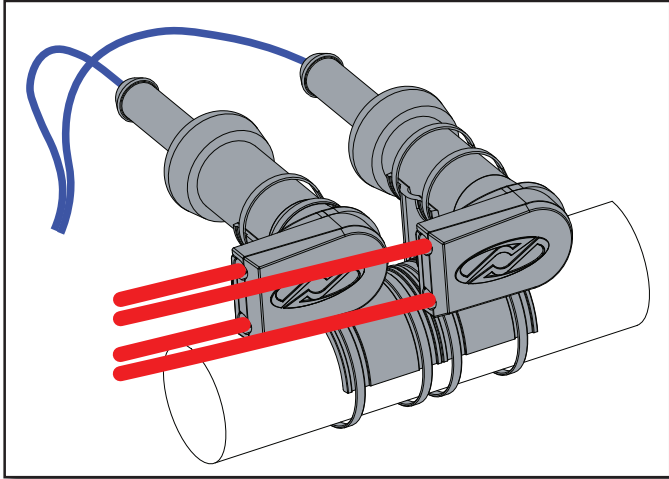
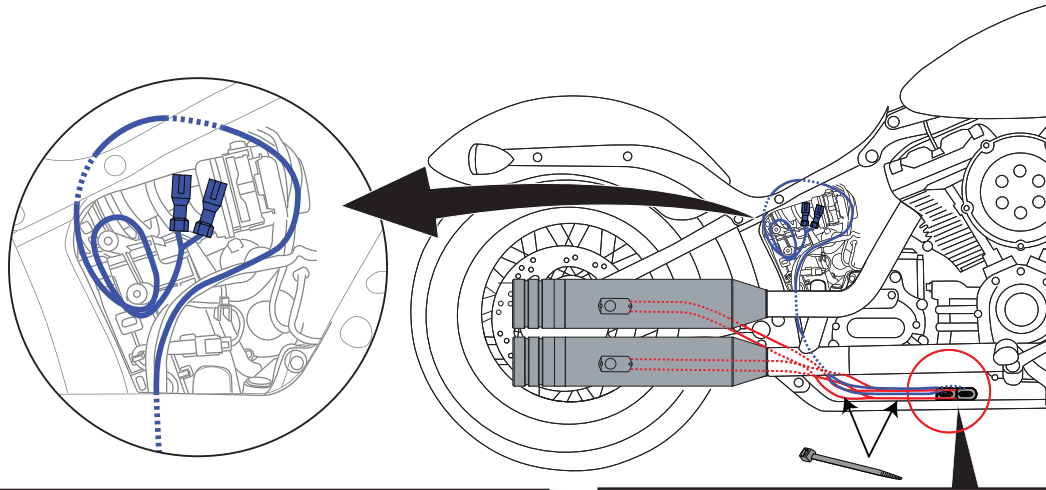
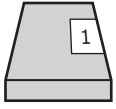


Lift or remove fuel tank to ensure proper cable routing

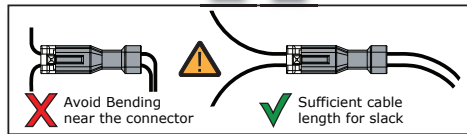
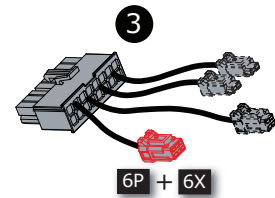
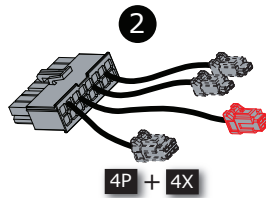
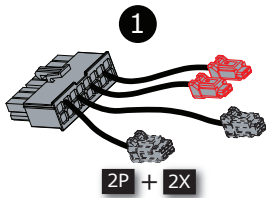
9



10



11



12

Complete System Check!

