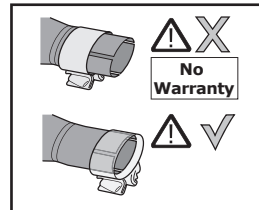


Mounting set BE-301098 for Scout



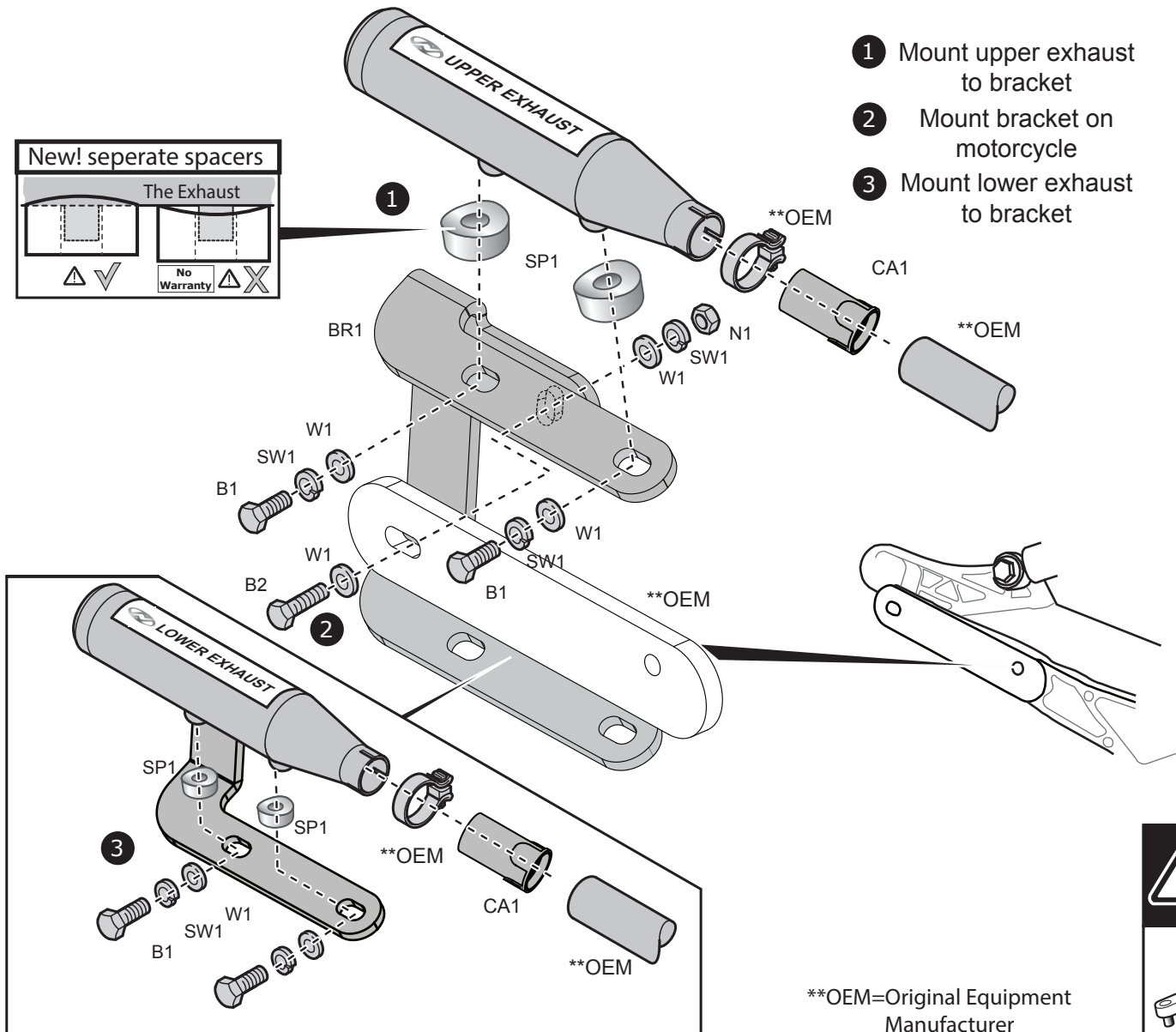
- 1 Mount upper exhaust to bracket
- 2 Mount bracket on motorcycle
- 3 Mount lower exhaust to bracket



**New! separate spacers**

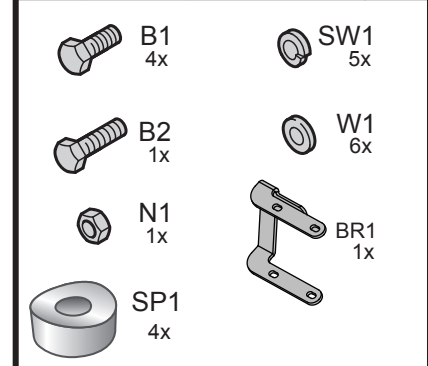
The Exhaust

△ ✓ No Warranty △ X



**items required**

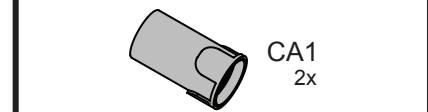
Nr.	Size	Article Nr.	Qty.
B1	M8x20	BO-101064	4
B2	M8x25	BO-101065	1
BR1		BE-601112	1
N1	M8	BO-101063	1
SW1	M8	BO-101055	5
W1	M8	BO-101054	6
SP1	ø25x10	DE-601155	4



B3	M6x30	BO-101170	1
S1	ø10x10	DE-101252	1

**Use at step 5 in main manual!**

Nr.	Size	Article Nr.	Qty.
CA1	75mm	DE-302120	2



⚠	3/8	25 lbft	30Nm
	M8	20 lbft	27Nm
	M6	7 lbft	10Nm

\*\*OEM=Original Equipment Manufacturer

Note: may contain spare parts

DR-301098-01 | 09-04-2015