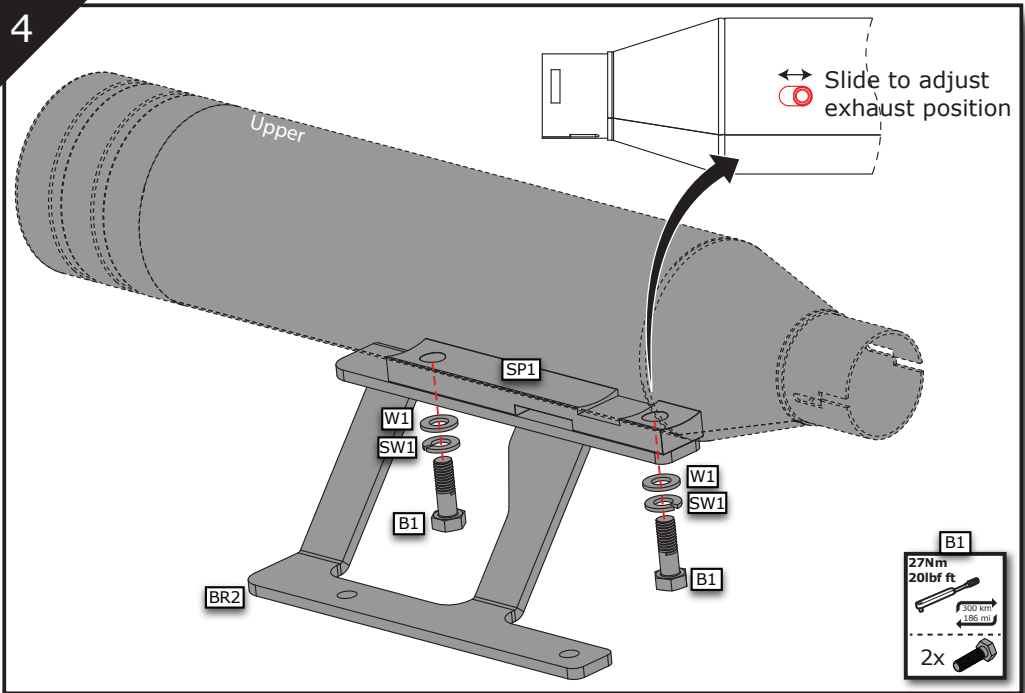
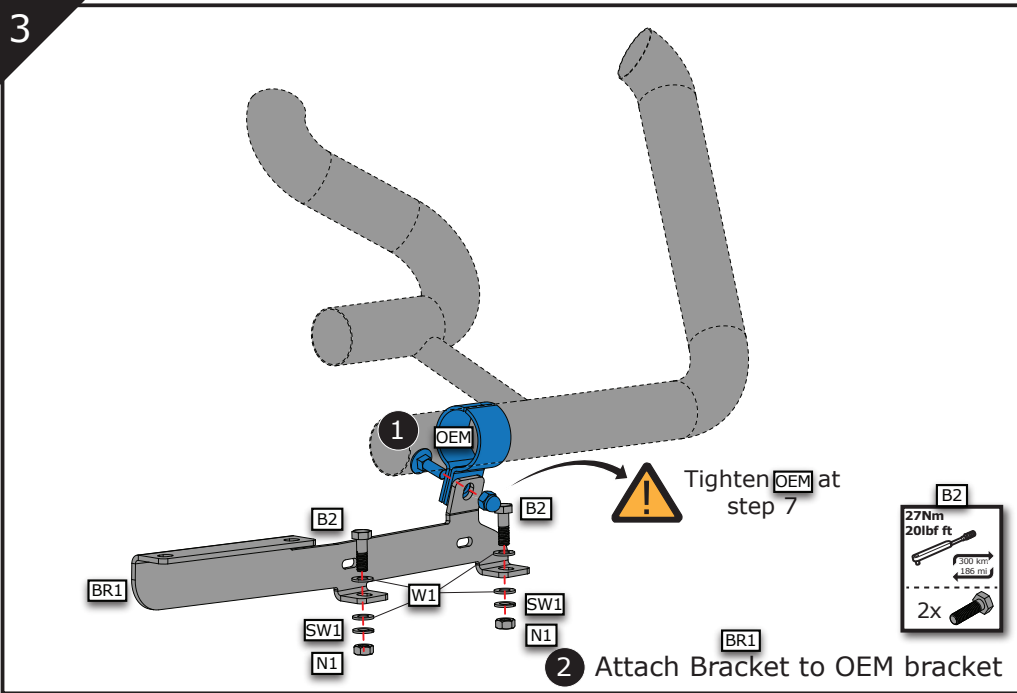
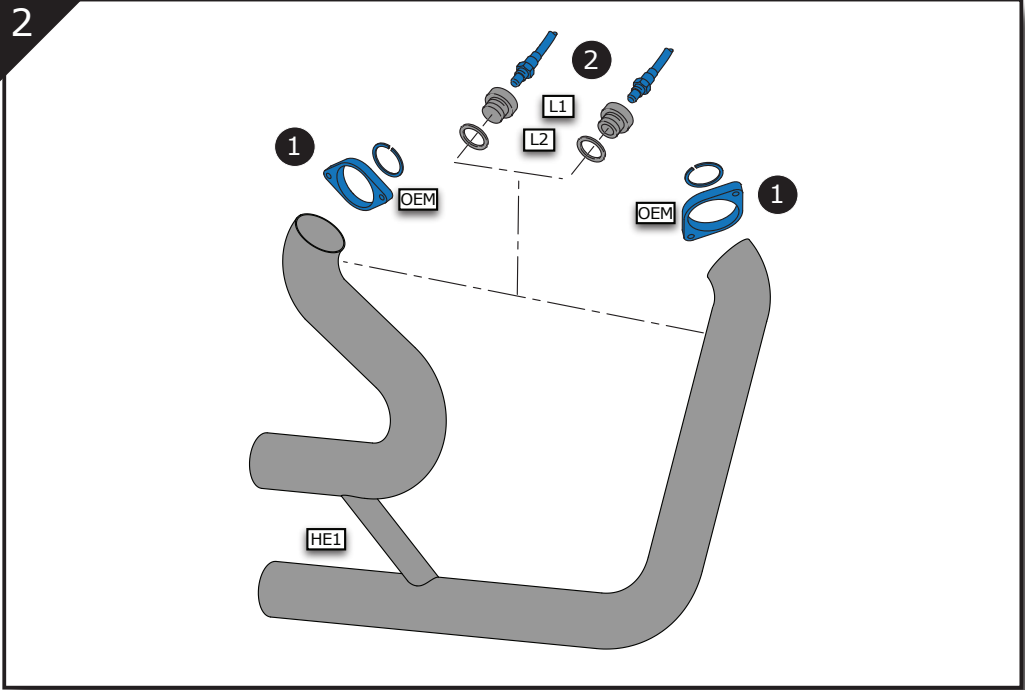
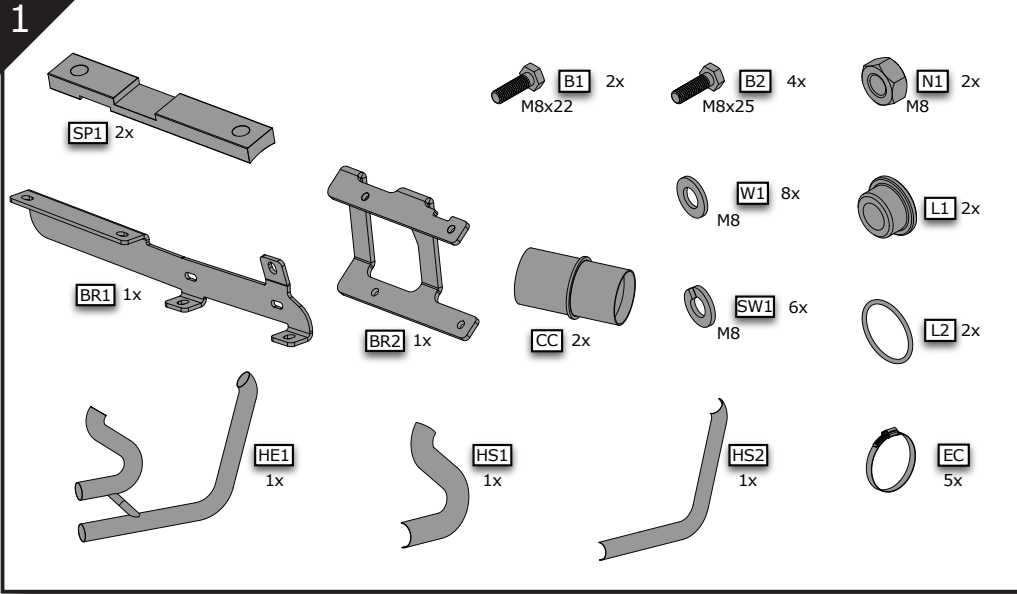
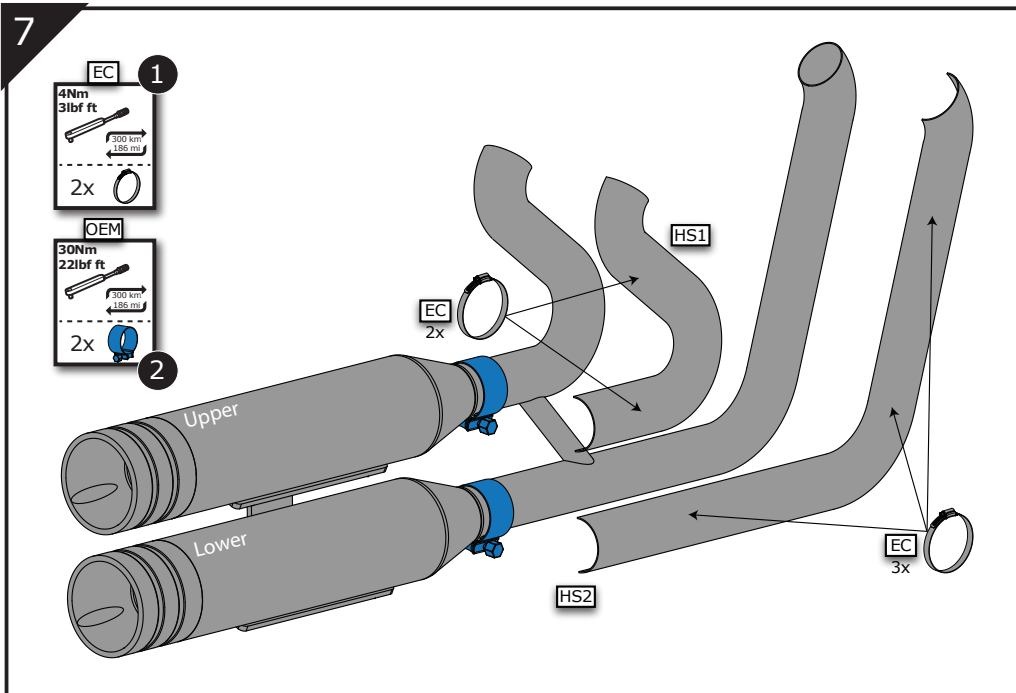
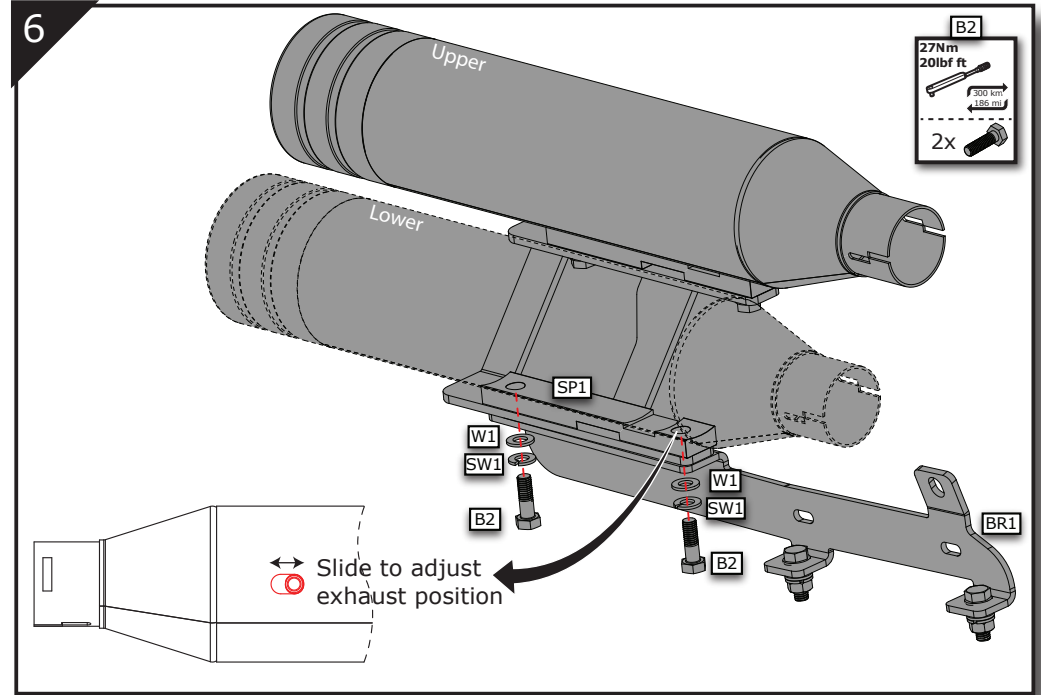
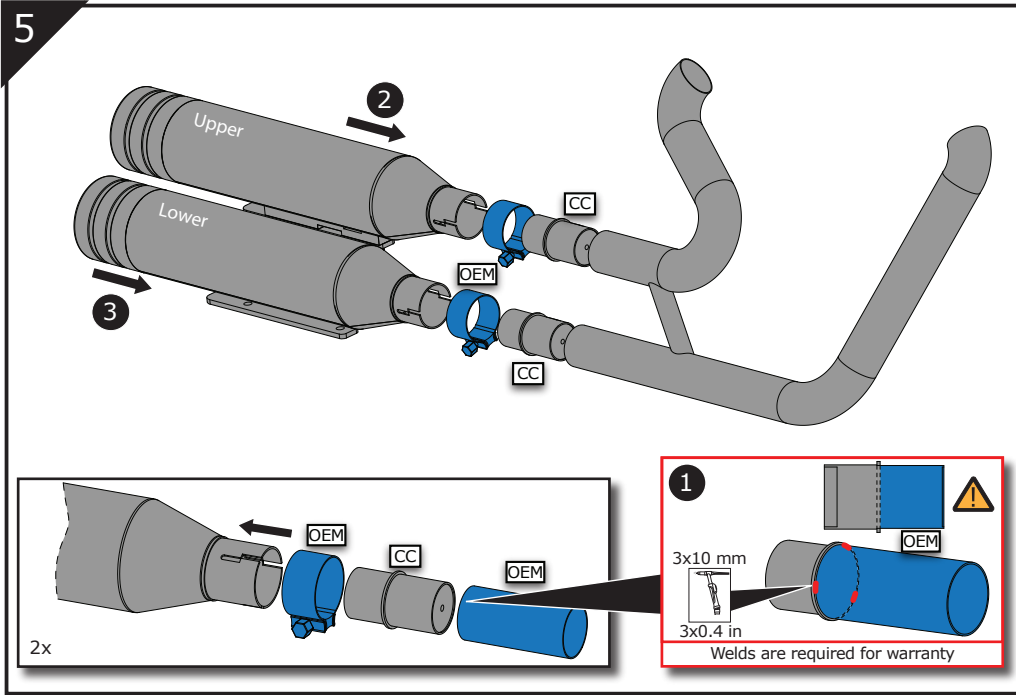


# Sportster V-Strike (2017->) Mounting Manual





*Dr. Tekill & Mr. Hyde*<sup>®</sup>

THE EXHAUST