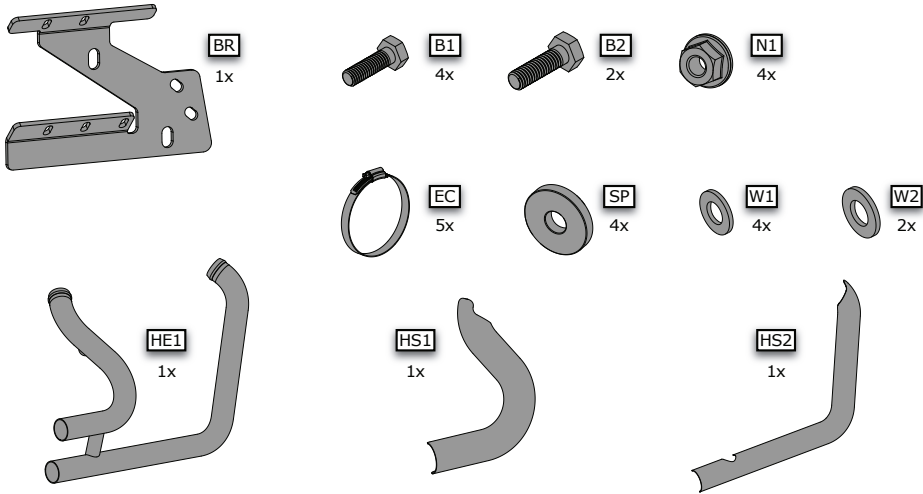


# FXDR (2019->) V-strike Mounting Manual

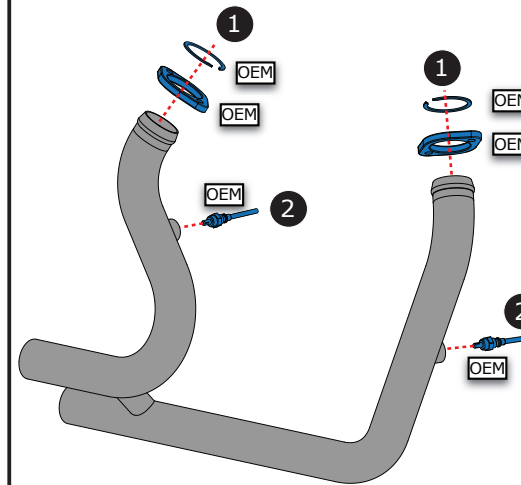
1

Items required



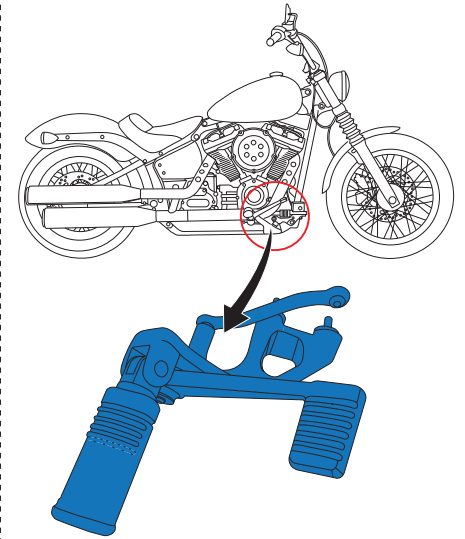
2

Install OEM flanges & oxygen sensors



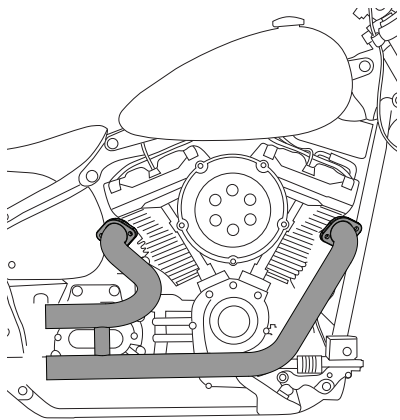
Use H-D kit number 14900105 to install wide band oxygen sensor

If installed:  
 Remove floorboard or mid control  
 (These will be remounted later)

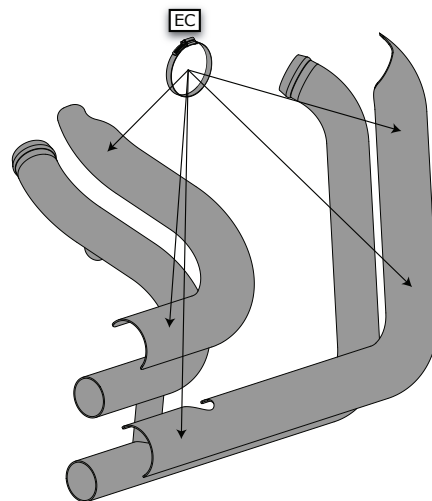


3

Install Headers on motorcycle  
 Tighten bolts later, in step 7!

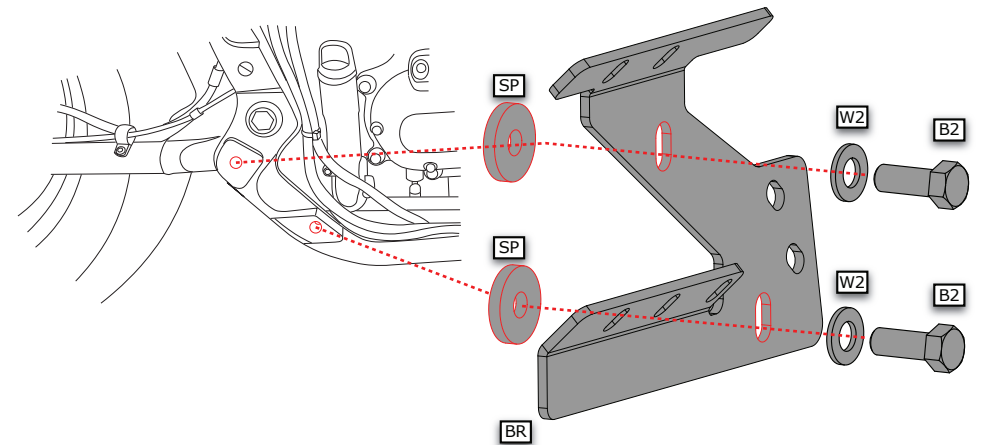


Mount heat shields to headers  
 Tighten clamps later, in step 7!



4

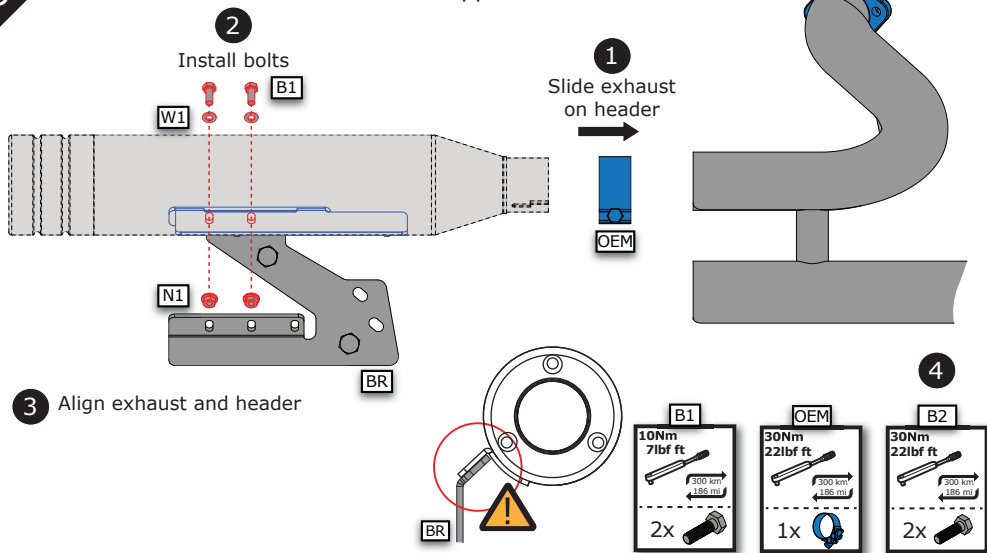
Install bracket on motorcycle  
 Tighten bolts in step 5



# FXDR (2019->) V-strike Mounting Manual

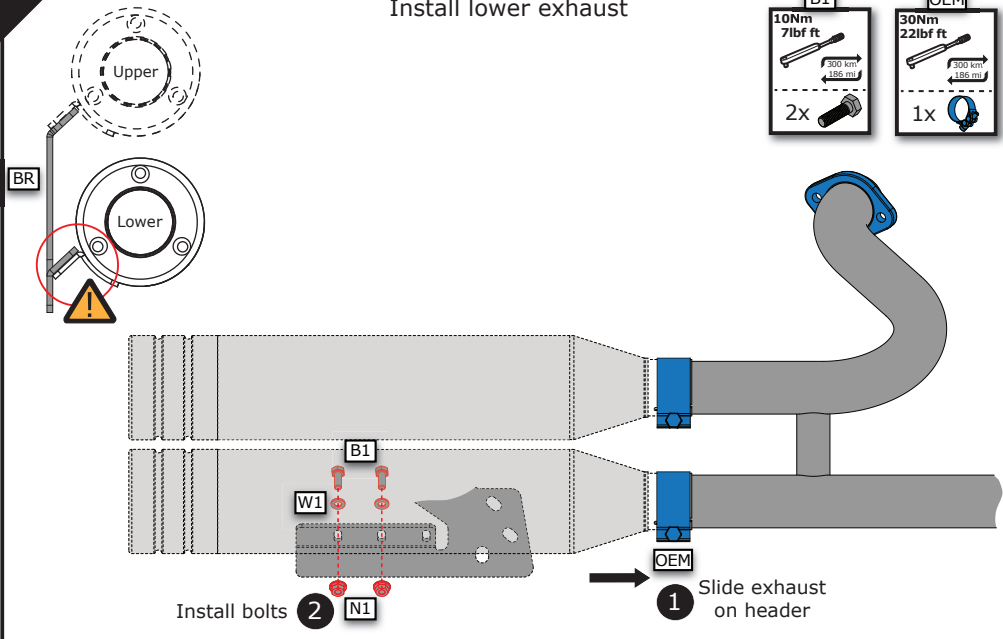
5

Install upper exhaust



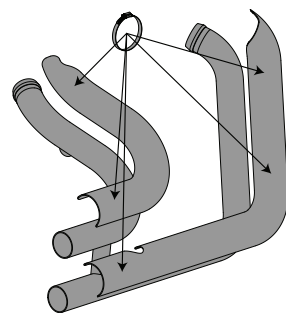
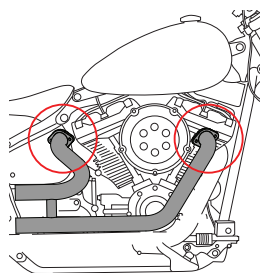
6

Install lower exhaust



7

Tighten headers & heat shields



8

Use spacers on floorboard or mid control before re-installing them

